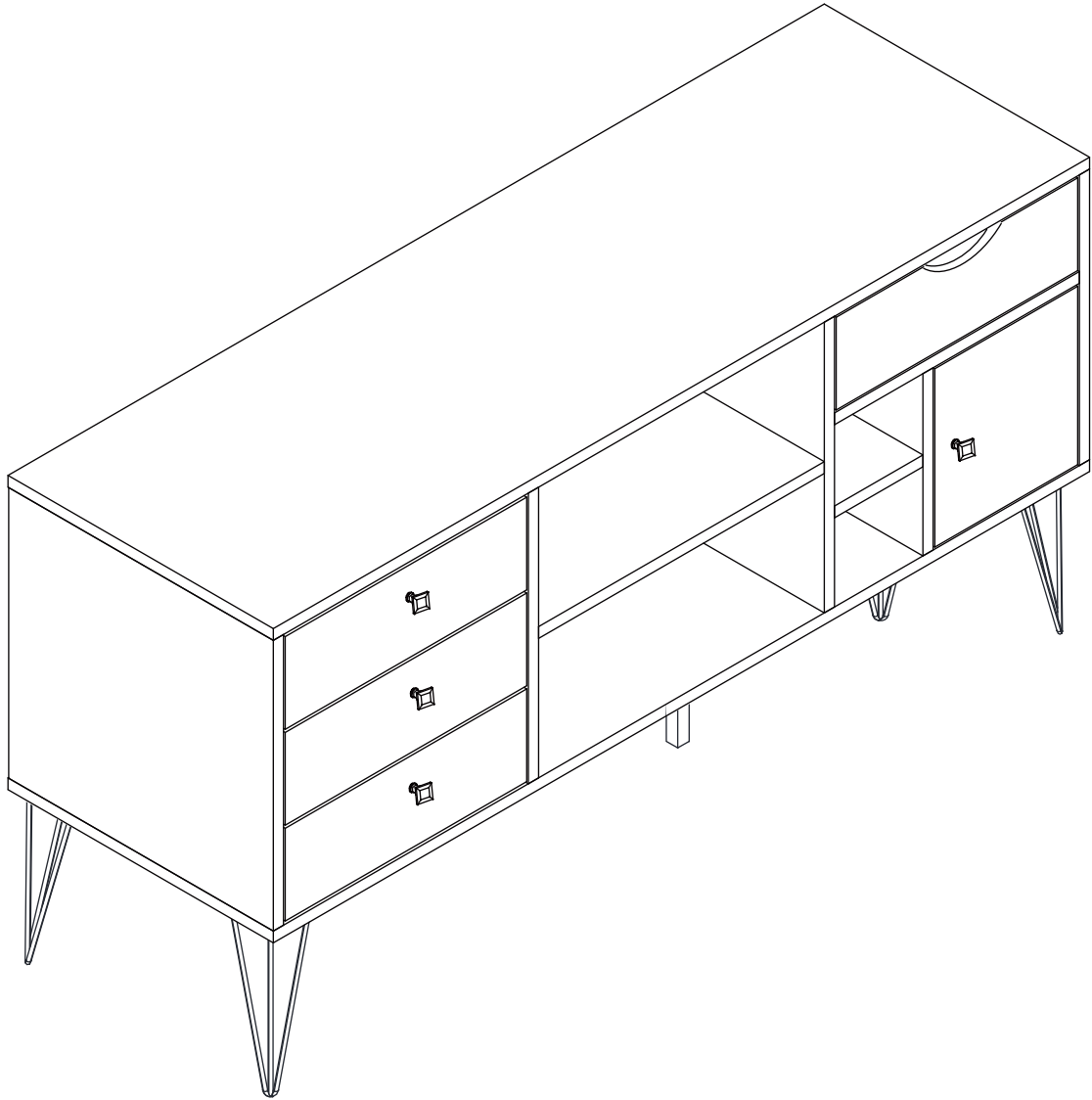


# Installation Instruction



Product name

---

## 3 DOOR SHOE RACK

Ver.1.0 20220531

# Assembling

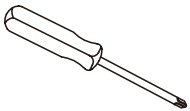
Estimated time for assembly



**35 : 00**

What you need

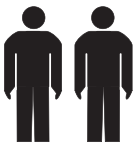
- Use the packaging carton as a working surface to prevent product damage during assembly
- Phillips head screwdriver



Weight Limitation



**40** | **22**  
lbs table top | lbs per drawer



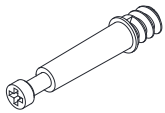
2 PERSONS

# What's included

| Code | Description            | Qty |
|------|------------------------|-----|
| A    | Cam Bolt M6X35MM       | 28  |
| B    | Cam Lock 15X10MM       | 28  |
| C    | Screw M4X35MM          | 38  |
| D    | Screw M3X12MM          | 38  |
| E    | Wooden Dowel M6X30MM   | 28  |
| F    | Anchor M6×30mm         | 2   |
| G    | Slide sets             | 3   |
| H    | Nylon Strap            | 2   |
| I    | Metal Support          | 2   |
| J    | Screw M4X20MM          | 4   |
| K    | Handle                 | 4   |
| L    | Screw M4X14MM          | 22  |
| M    | Magnetic Door Catcher  | 1   |
| N    | Screw M3X14MM          | 2   |
| O    | Plastic Drawer stopper | 1   |
| P    | MetalPlate             | 1   |

# The Hardwares

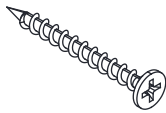
A



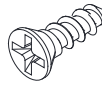
B



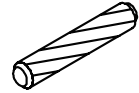
C



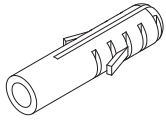
D



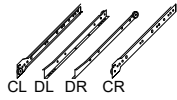
E



F



G



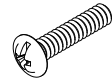
H



I



J



K



L



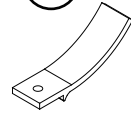
M



N



O



P



## IMPORTANT:

1. Do not tighten bolts / screws completely until all bolts / screws are lined up and inserted into holes.
2. Do not over tighten screws and bolts to avoid stripping.
3. Please use hand tools to assemble this product. Do not use power tools.

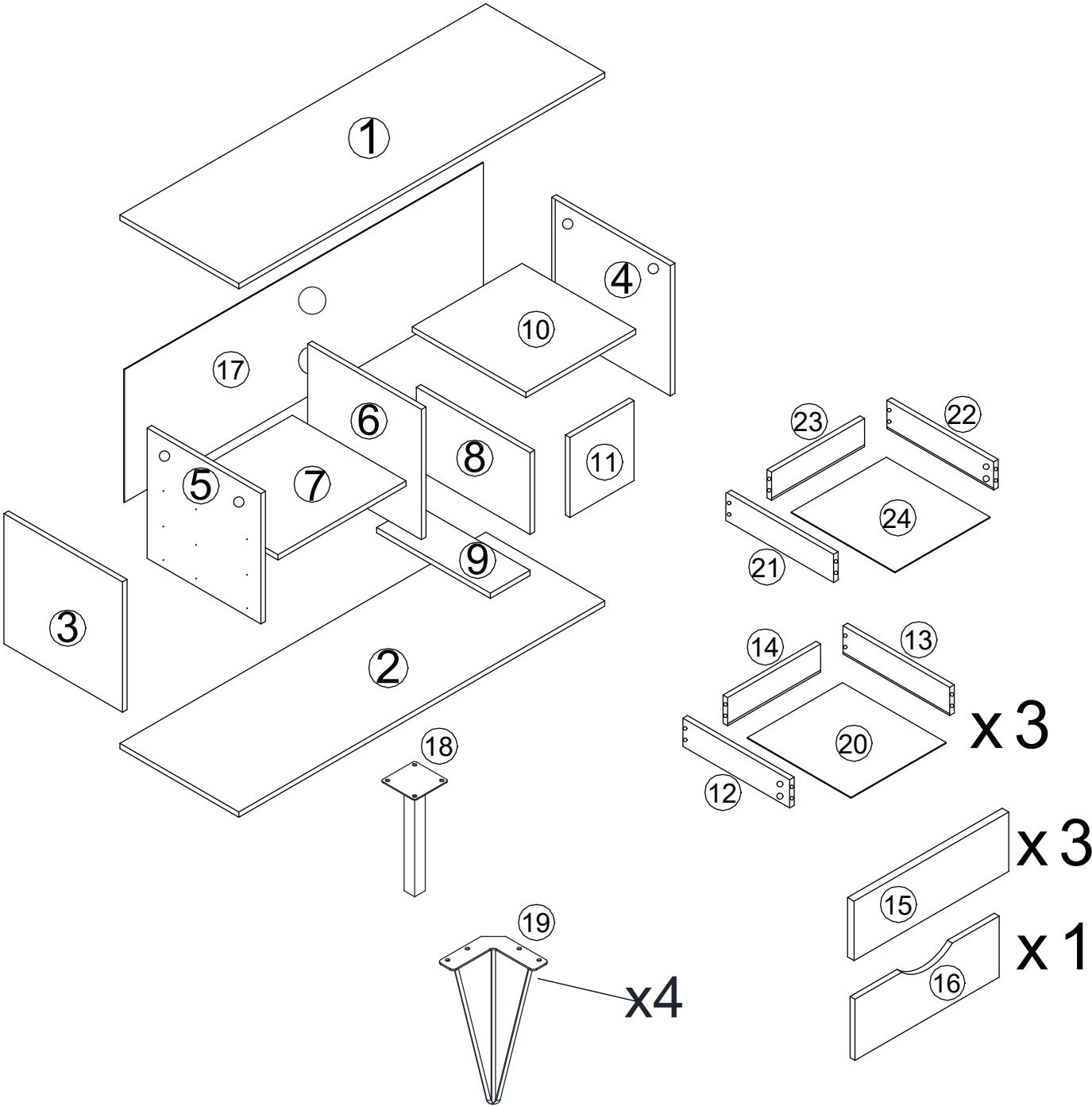


2 PERSONS

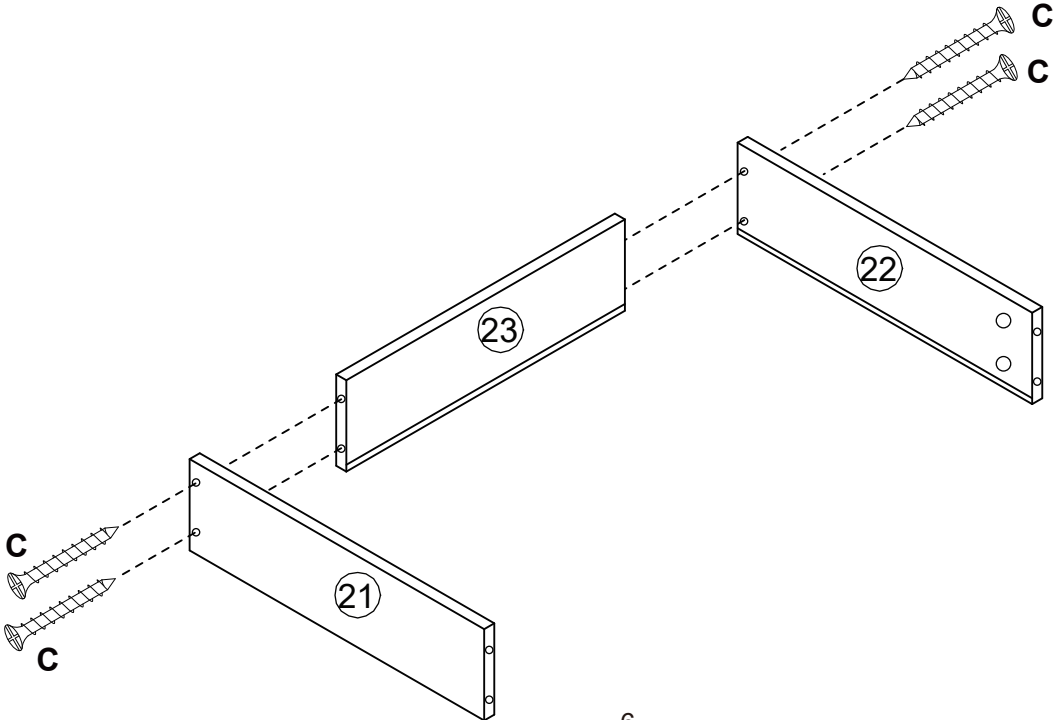
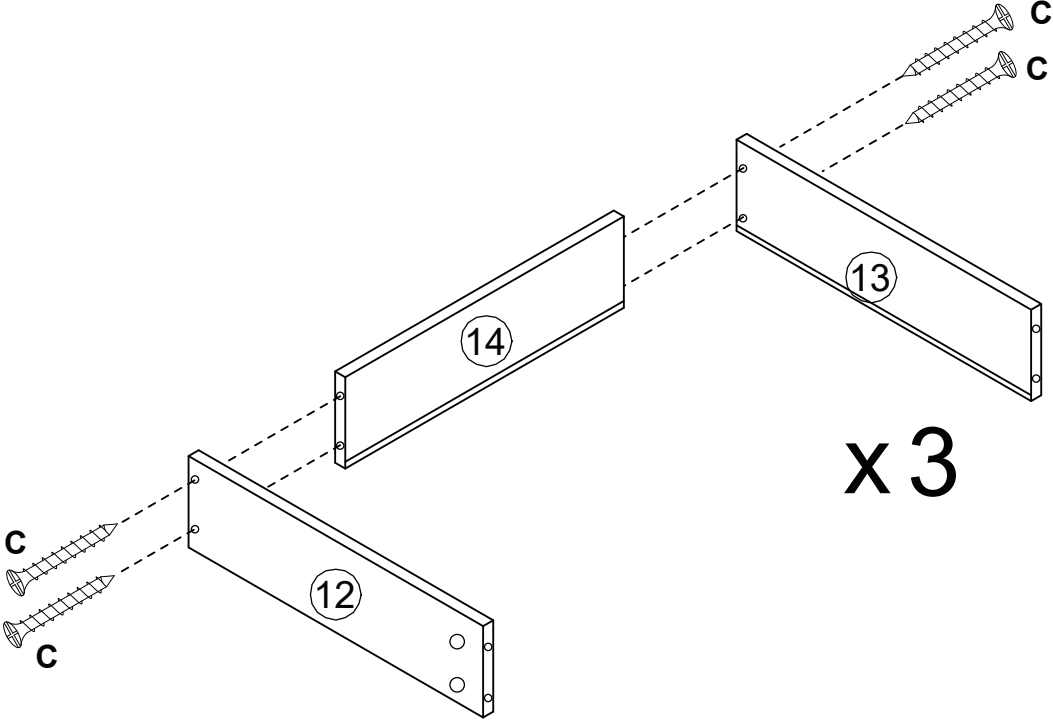
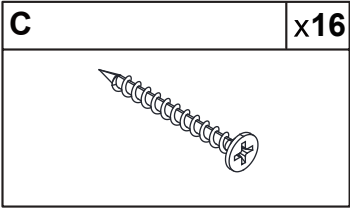
# Included Accessories

| <b>Code</b> | <b>Description</b>      | <b>Qty</b> |
|-------------|-------------------------|------------|
| 1           | Cabinet Top             | 1          |
| 2           | Bottom Panel            | 1          |
| 3           | Left Side Panel         | 1          |
| 4           | Right Side Panel        | 1          |
| 5           | Divider                 | 1          |
| 6           | Divider                 | 1          |
| 7           | Shelf                   | 1          |
| 8           | Divider                 | 1          |
| 9           | Shelf                   | 1          |
| 10          | Shelf                   | 1          |
| 11          | Door                    | 1          |
| 12          | Drawer Left Side Panel  | 3          |
| 13          | Drawer Right Side Panel | 3          |
| 14          | Drawer Back Panel       | 3          |
| 15          | Drawer Front Panel      | 3          |
| 16          | Drawer Front Panel      | 1          |
| 17          | Back Panel              | 1          |
| 18          | Feet                    | 1          |
| 19          | Feet                    | 4          |
| 20          | Drawer Bottom Panel     | 3          |
| 21          | Drawer Left Side Panel  | 1          |
| 22          | Drawer Right Side Panel | 1          |
| 23          | Drawer Back Panel       | 1          |
| 24          | Drawer Bottom Panel     | 1          |

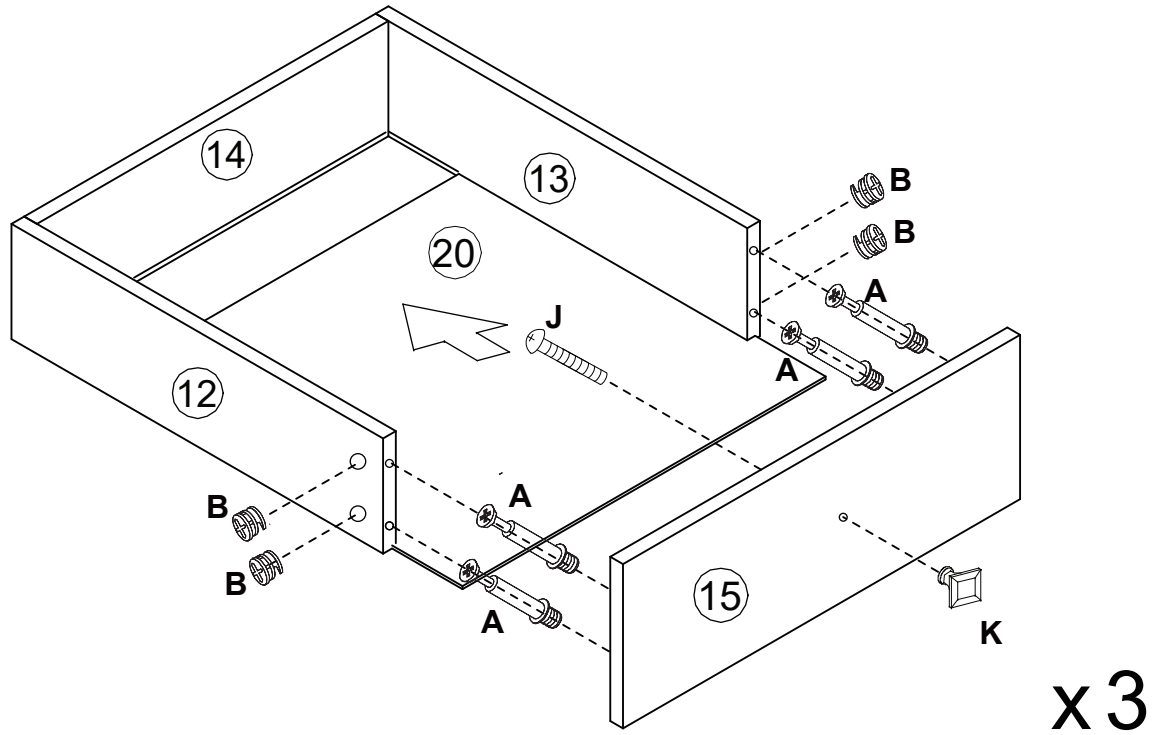
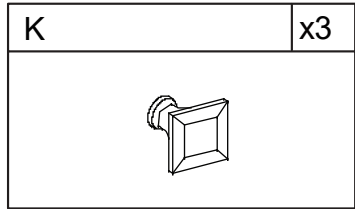
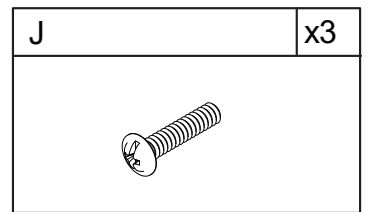
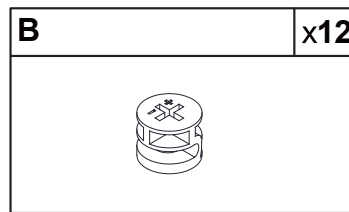
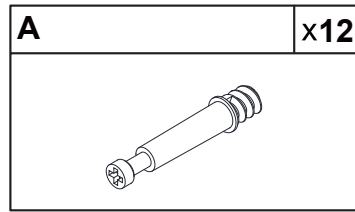
# The Accessoriess



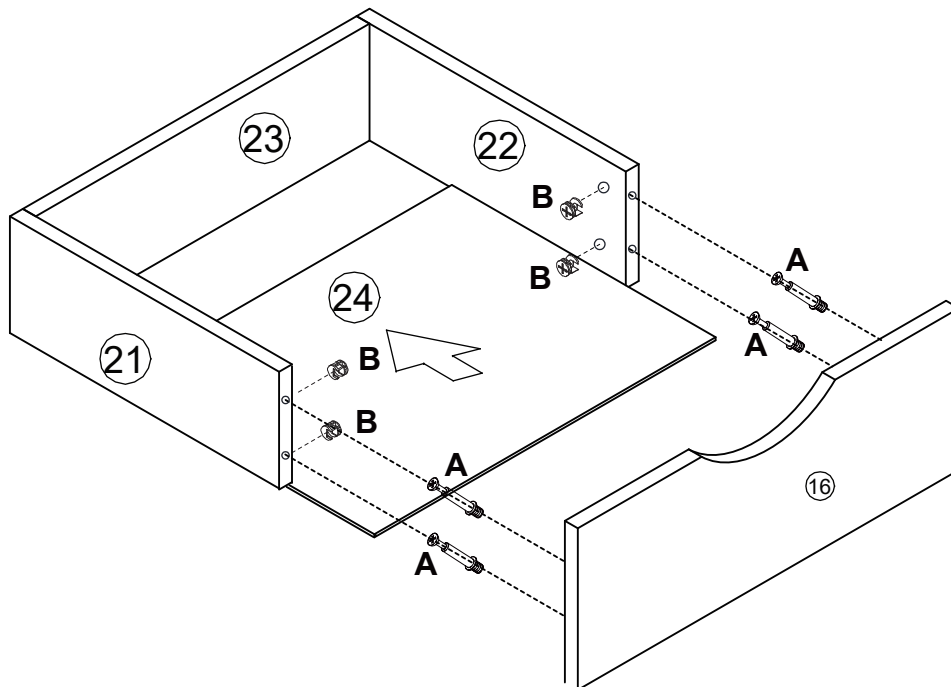
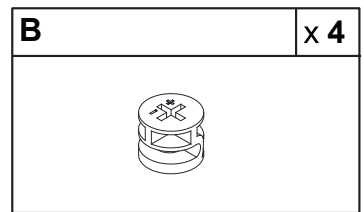
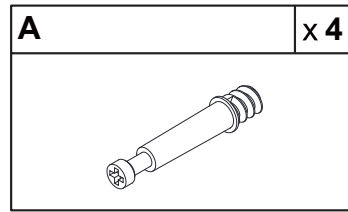
# Step 1



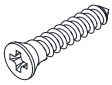
# Step 2

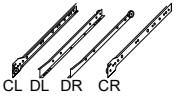


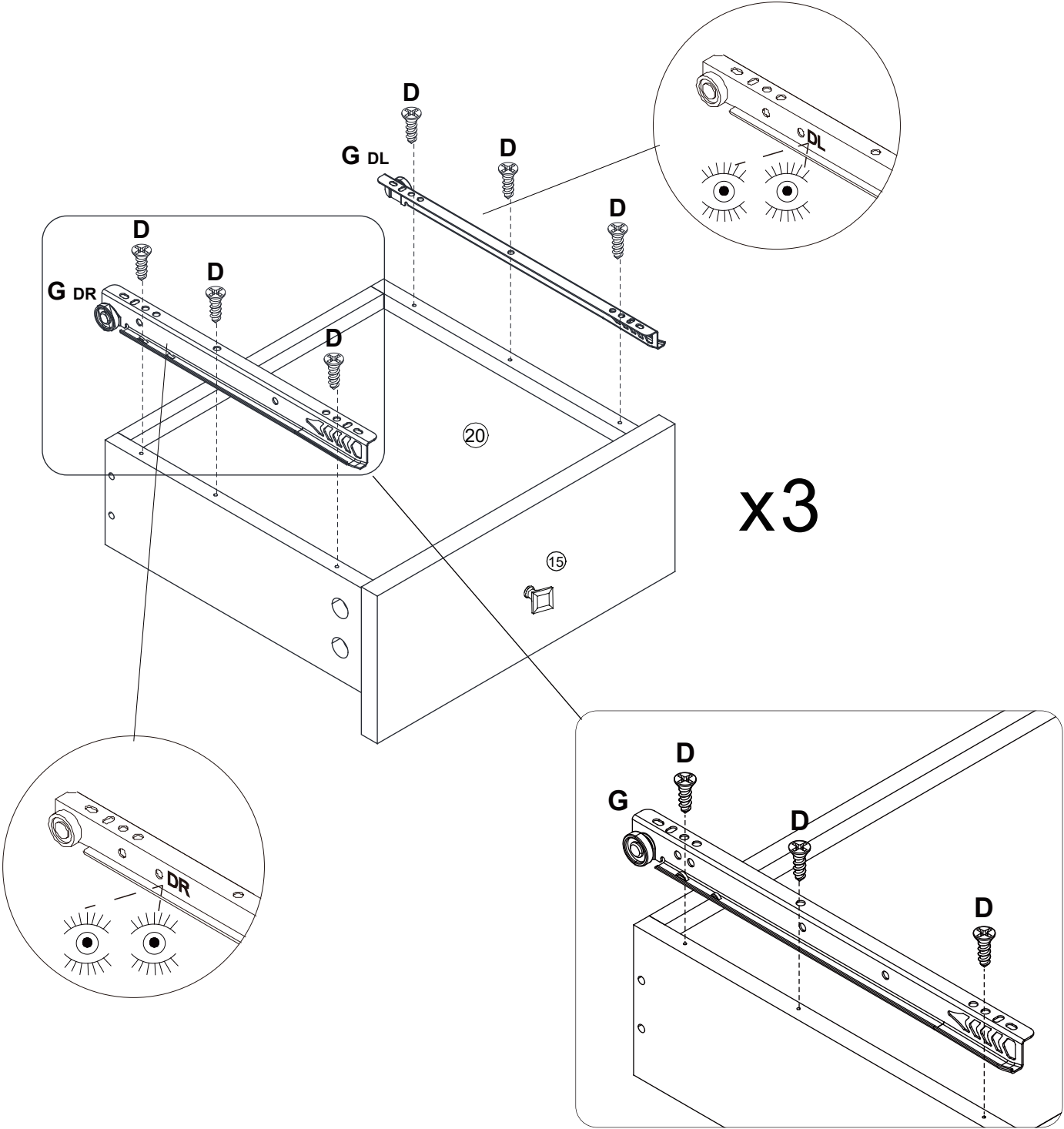
# Step 3



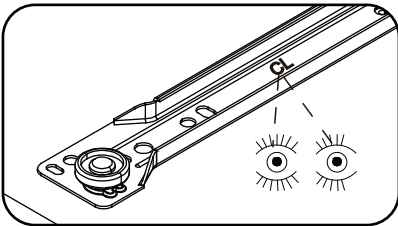
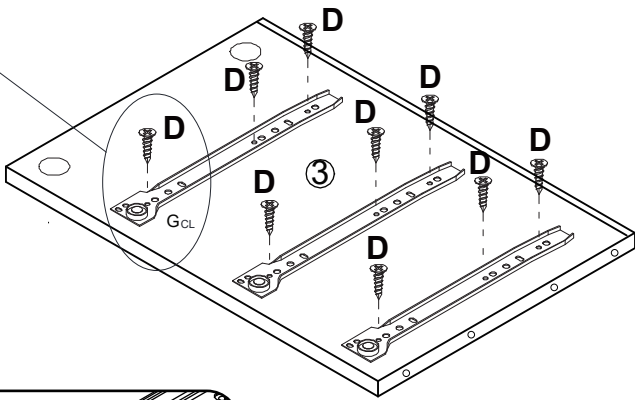
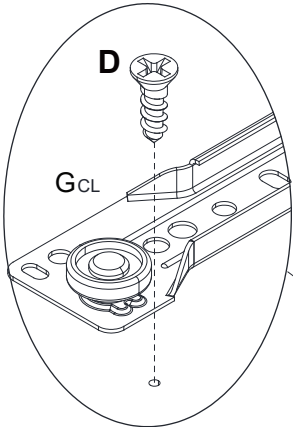
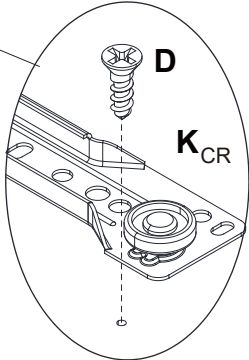
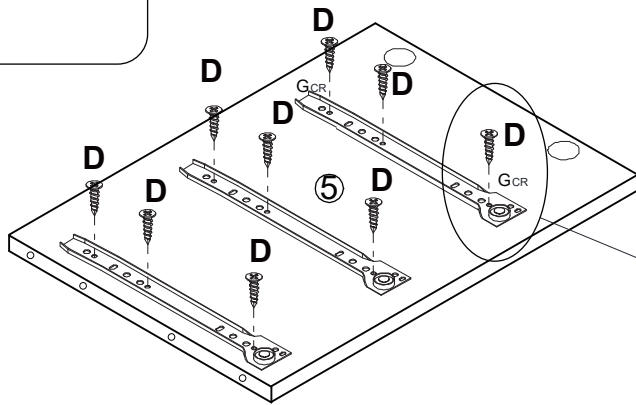
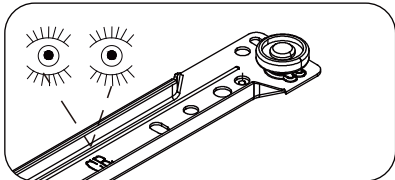
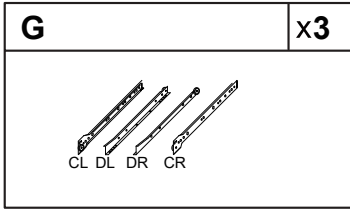
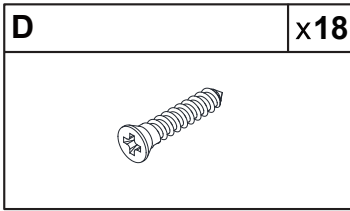
# Step 4

|  |            |
|--|------------|
| <b>D</b>   | <b>x18</b> |
|  |            |

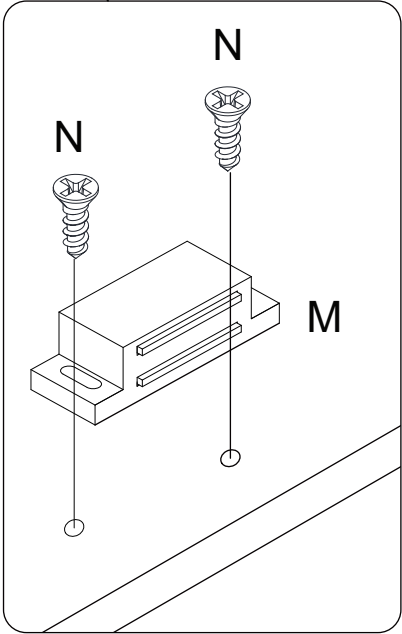
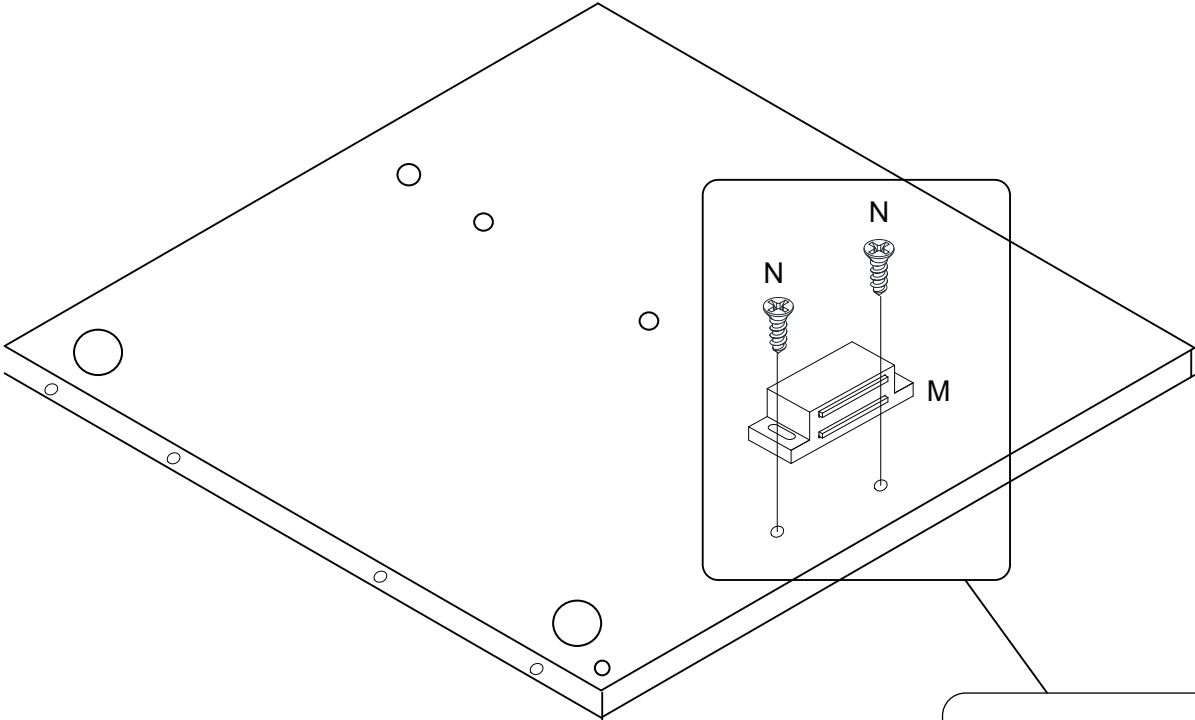
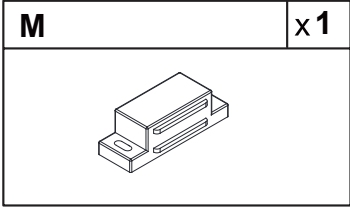
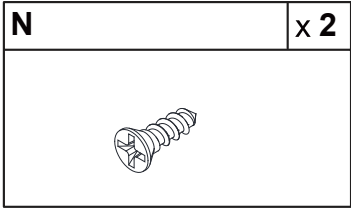
|   |           |
|---|-----------|
| <b>G</b>  | <b>x3</b> |
|  |           |



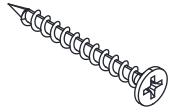
# Step 5

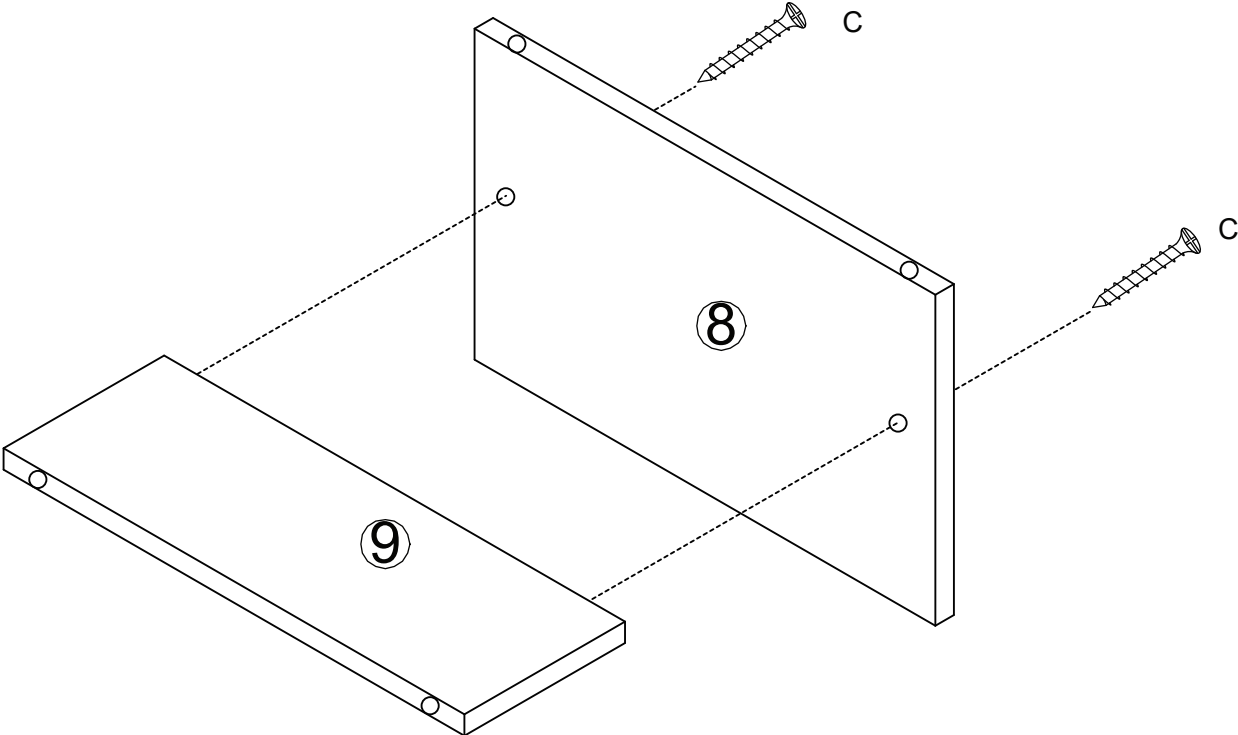


# Step 6

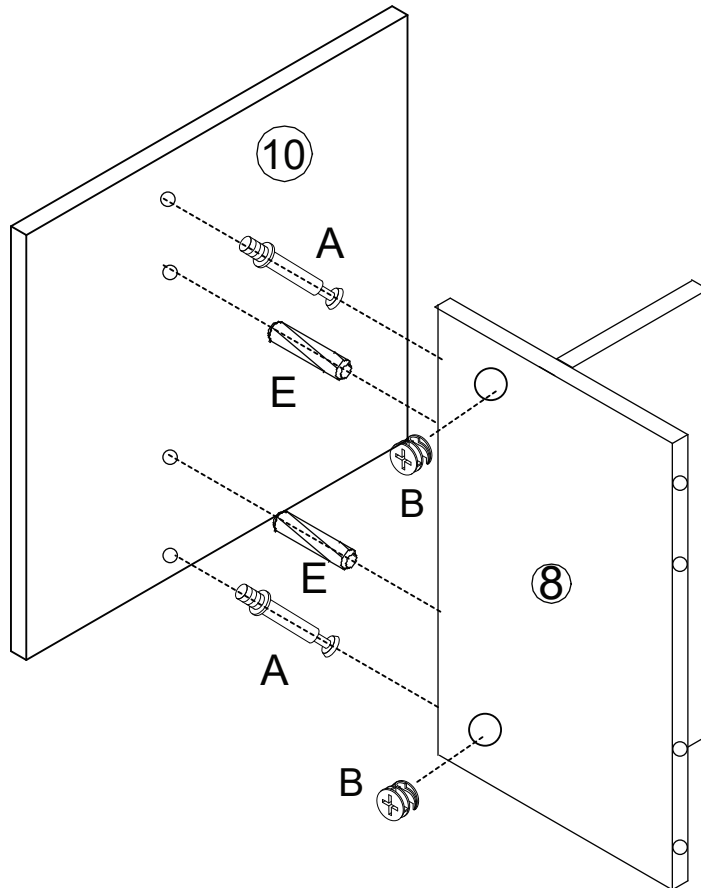
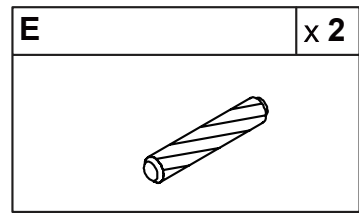
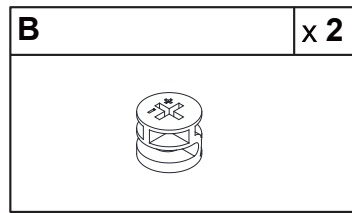
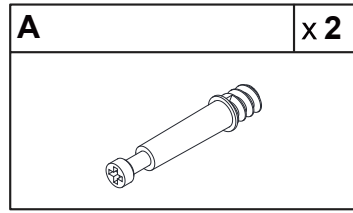


# Step 7

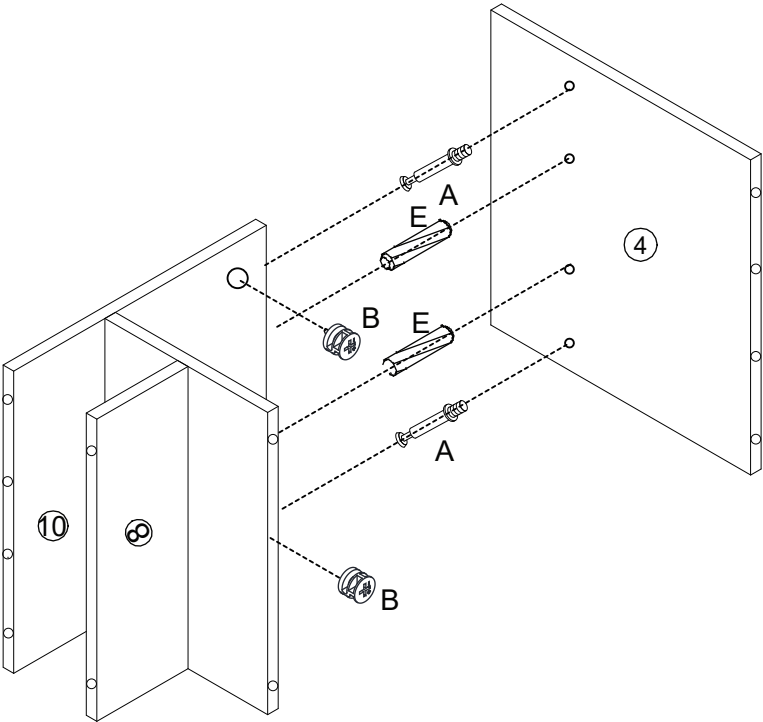
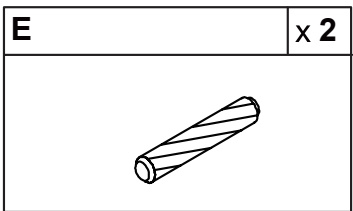
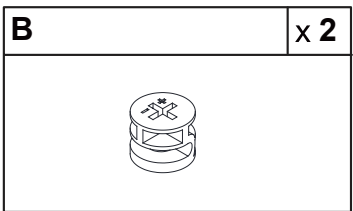
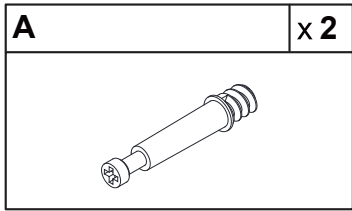
|   |            |
|---|------------|
| <b>C</b>  | <b>x 2</b> |
|  |            |



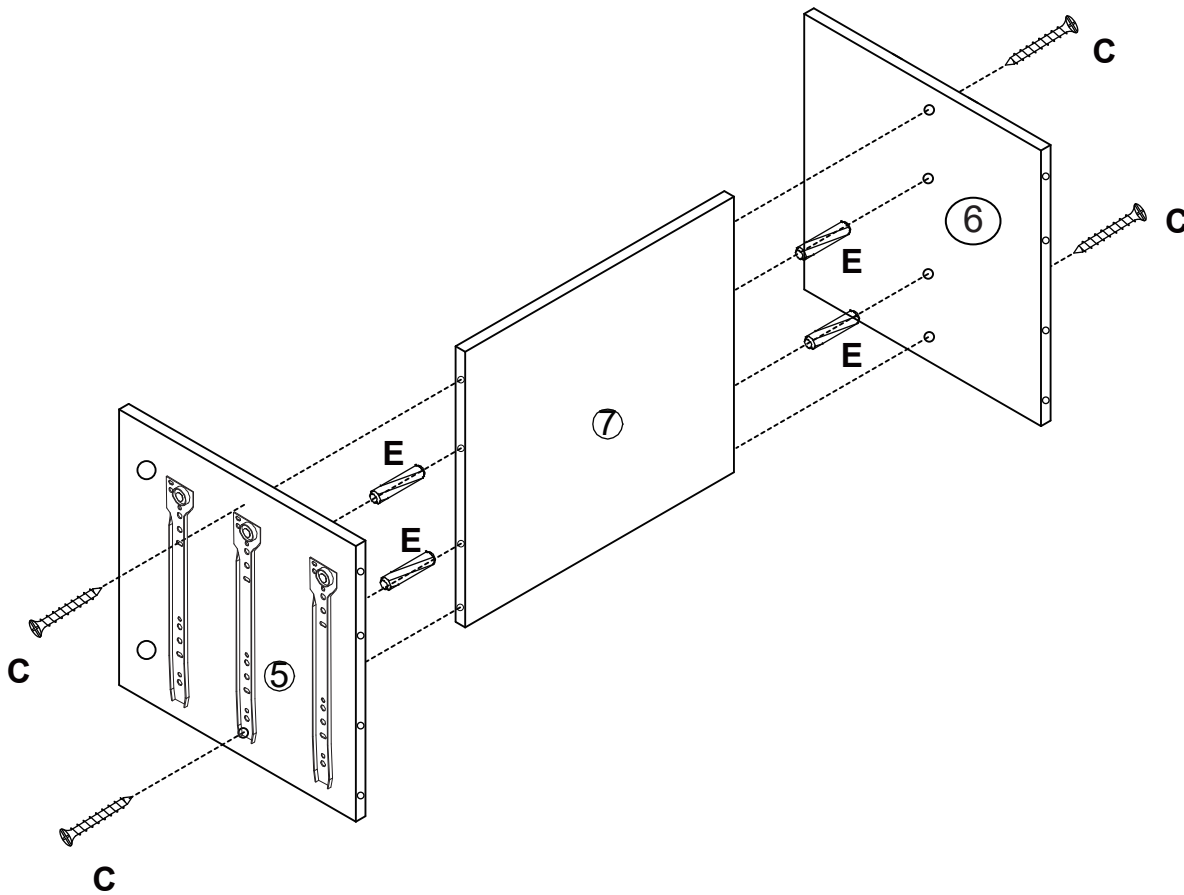
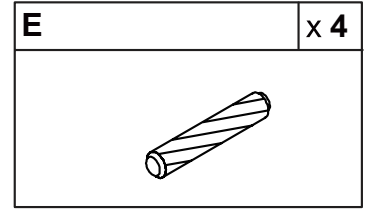
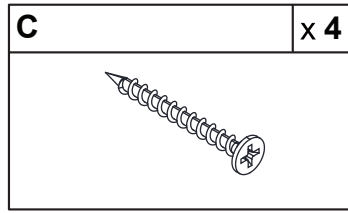
# Step 8



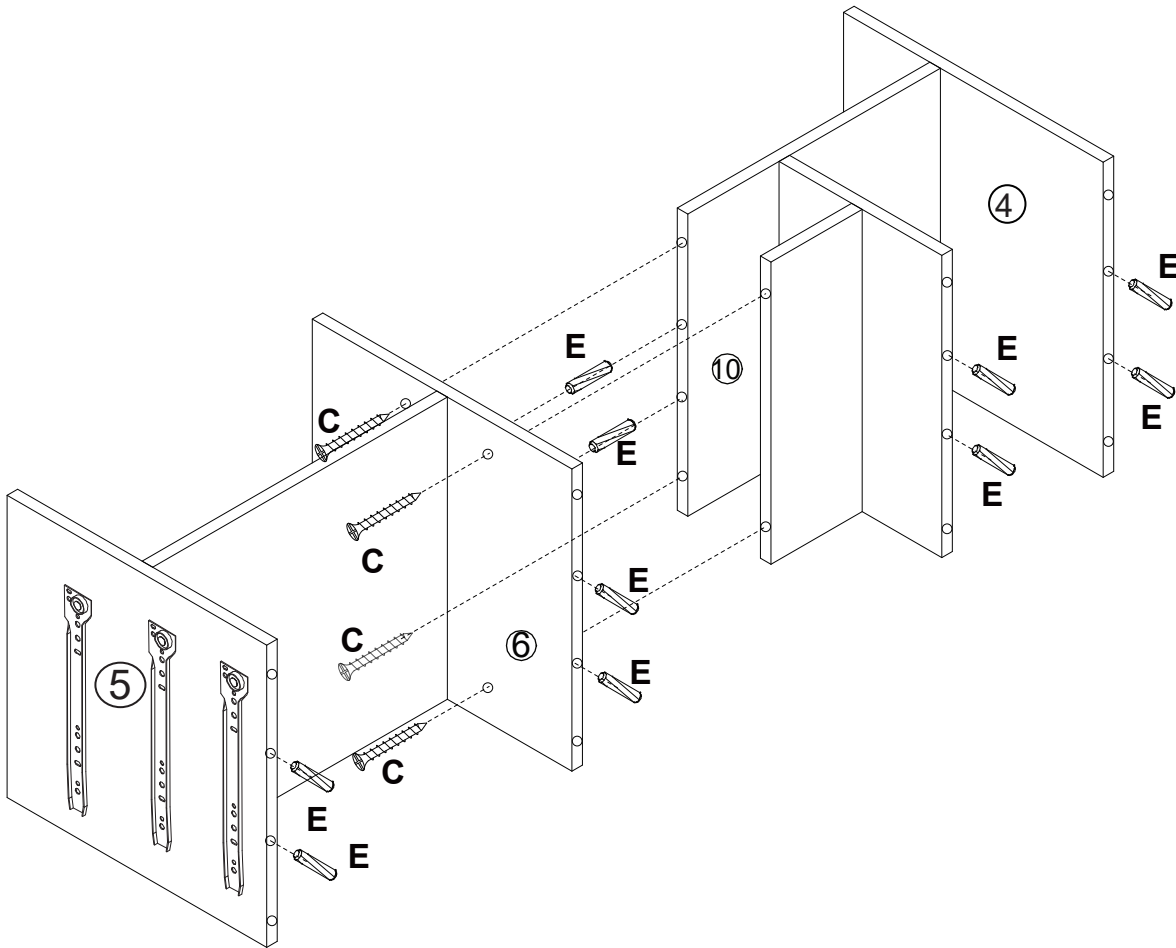
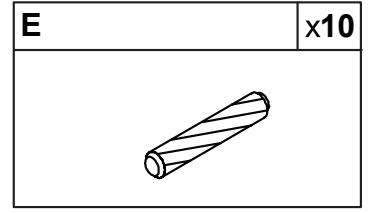
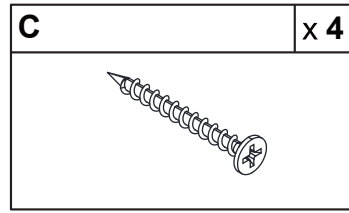
# Step 9



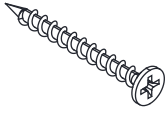
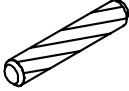
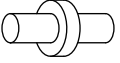
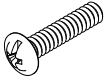
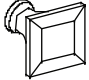
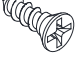

# Step 10

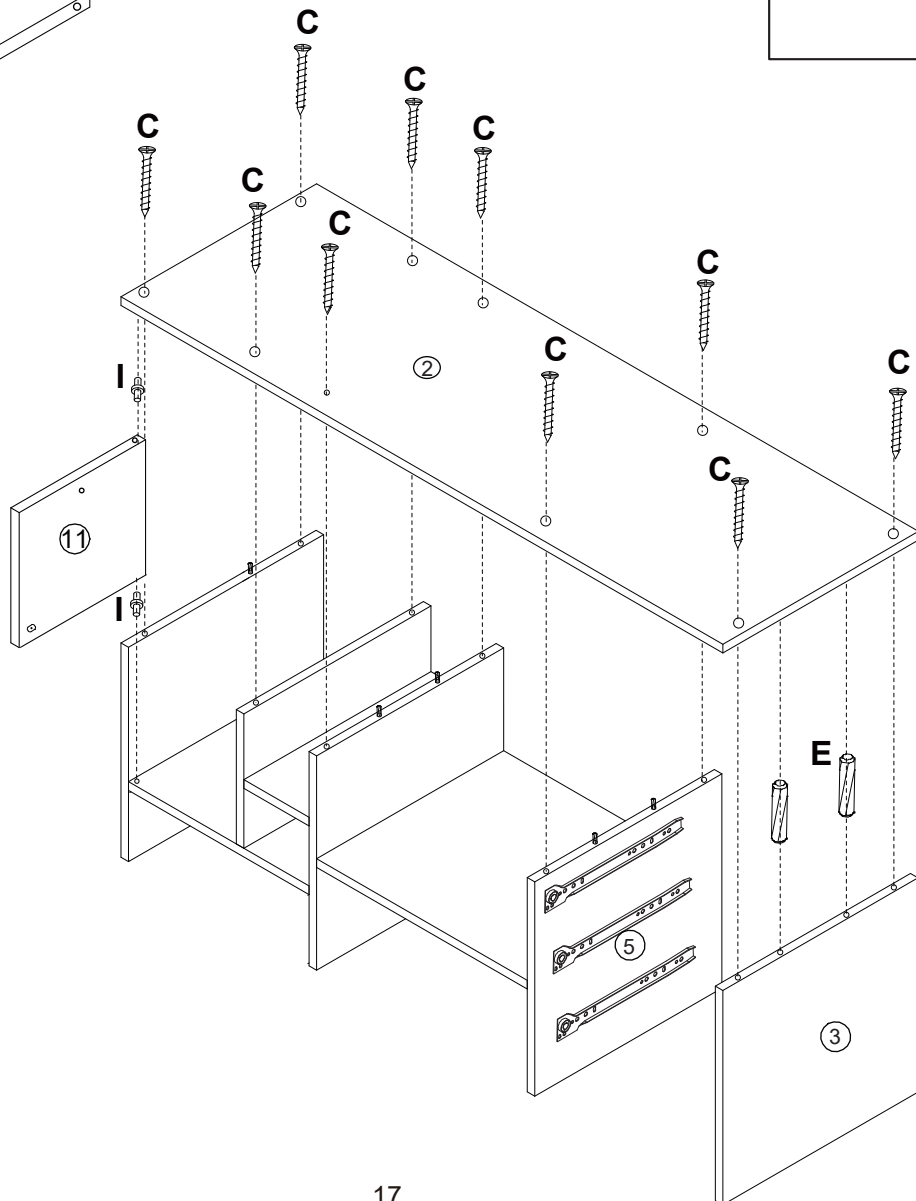
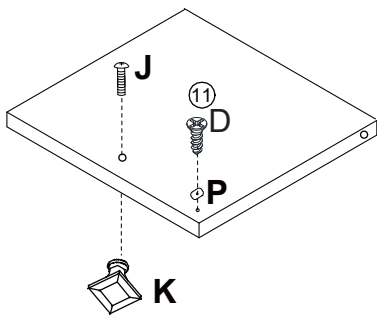


# Step 11

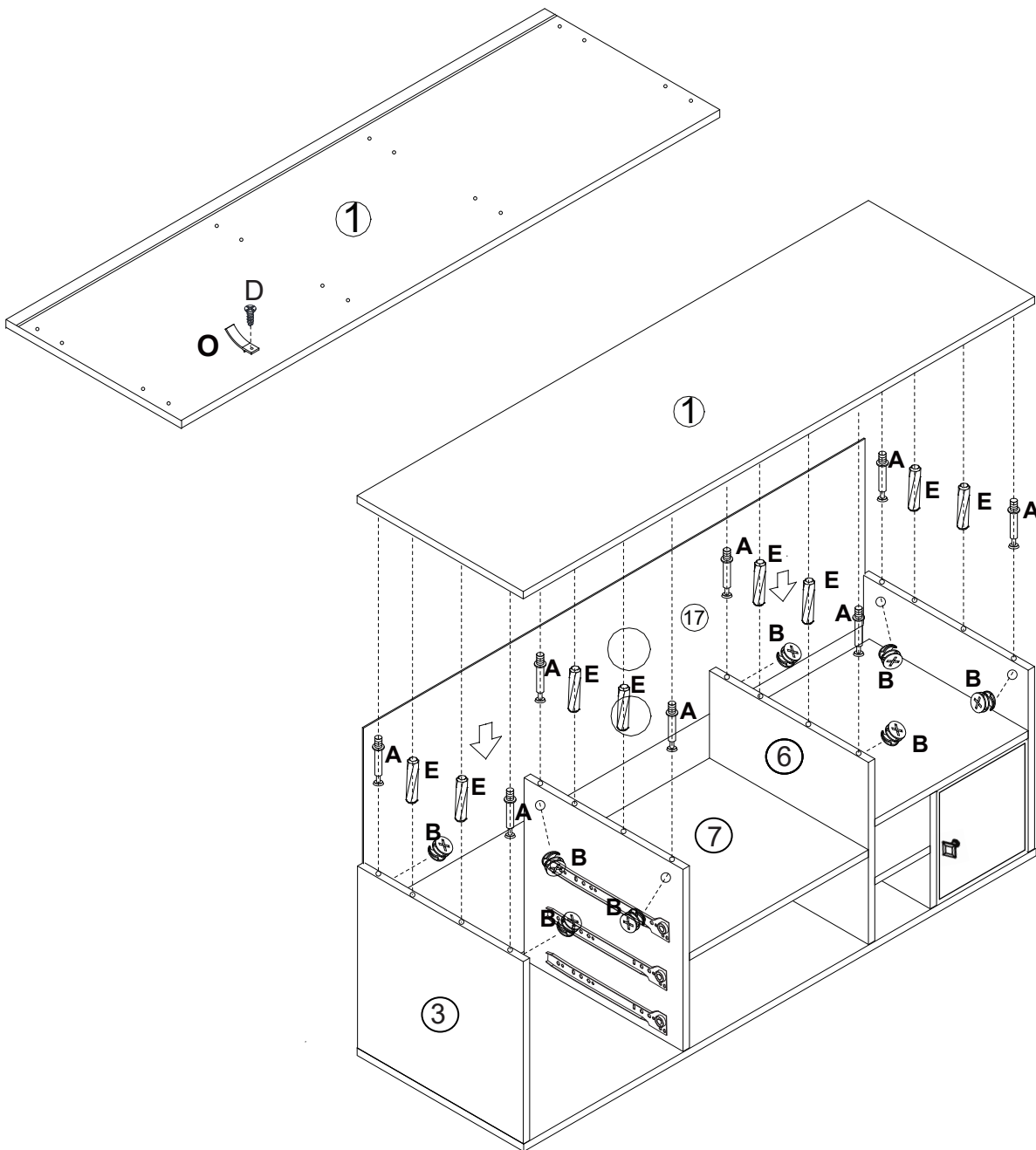
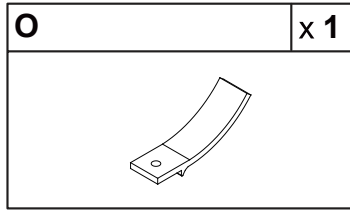
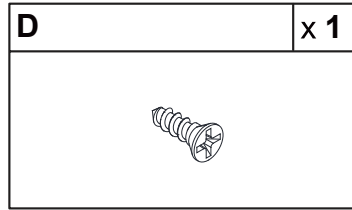
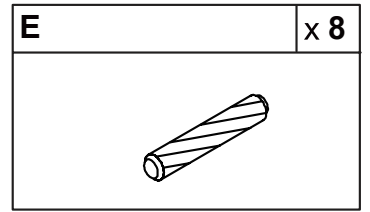
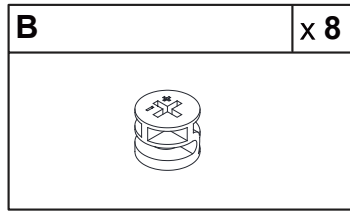
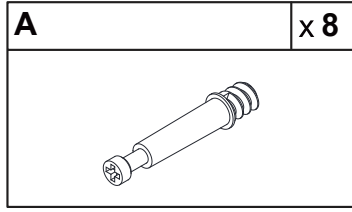


# Step 12

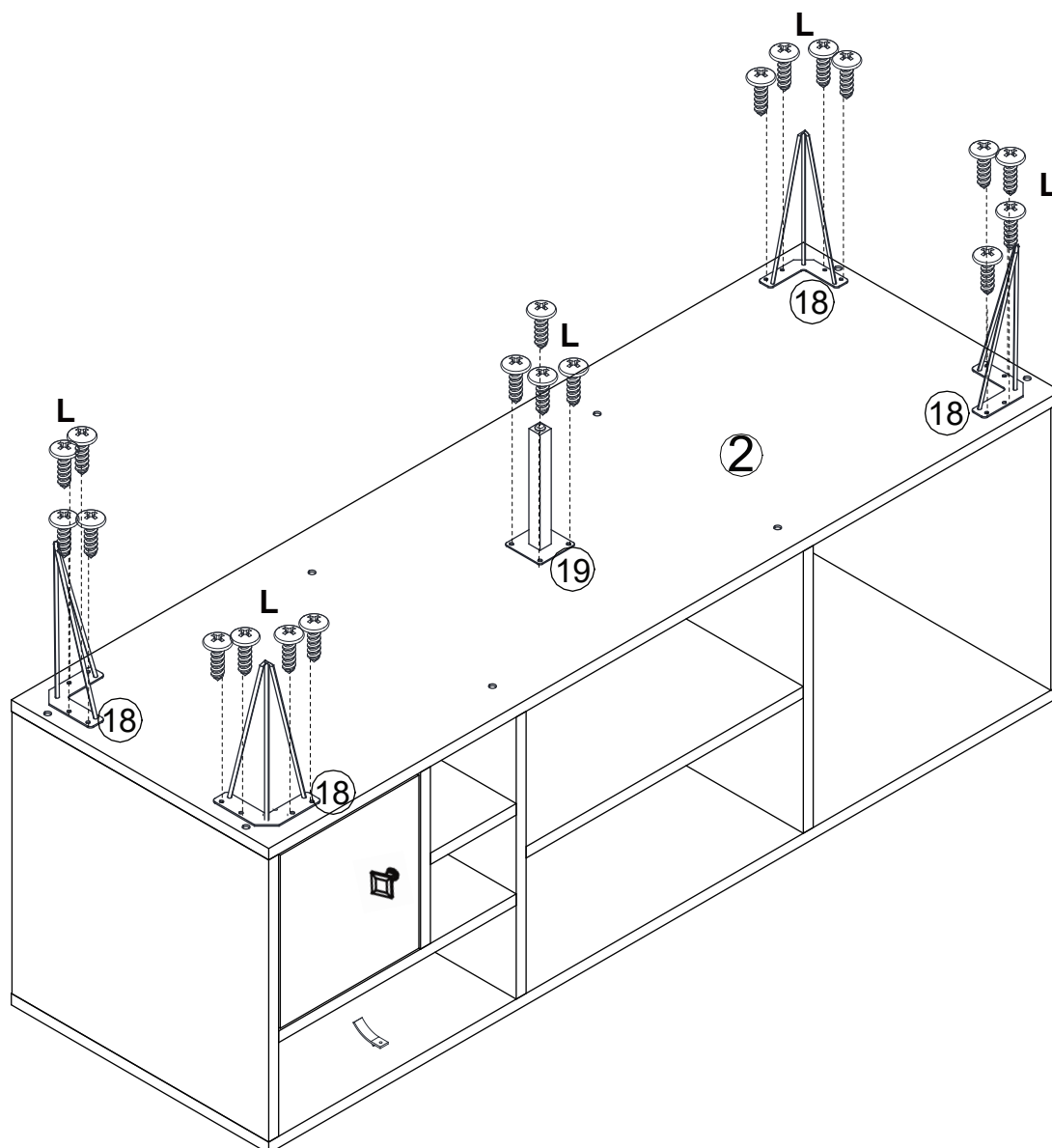
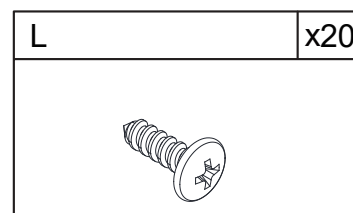
|   |            |  |           |   |   |           |
|---|------------|--|-----------|---|---|-----------|
| <b>C</b>  | <b>x10</b> | <b>E</b>   | <b>x2</b> | <b>I</b>  | <b>x2</b>   |           |
|  |            |  |           |  |   |           |
| <b>J</b>  | <b>x1</b>  | <b>K</b>   | <b>x1</b> | <b>D</b>  | <b>x1</b>   |           |
|  |            |  |           |  |   |           |
|   |            |  |           |   | <b>P</b>  | <b>x1</b> |
|   |            |  |           |   |  |           |




# Step 13




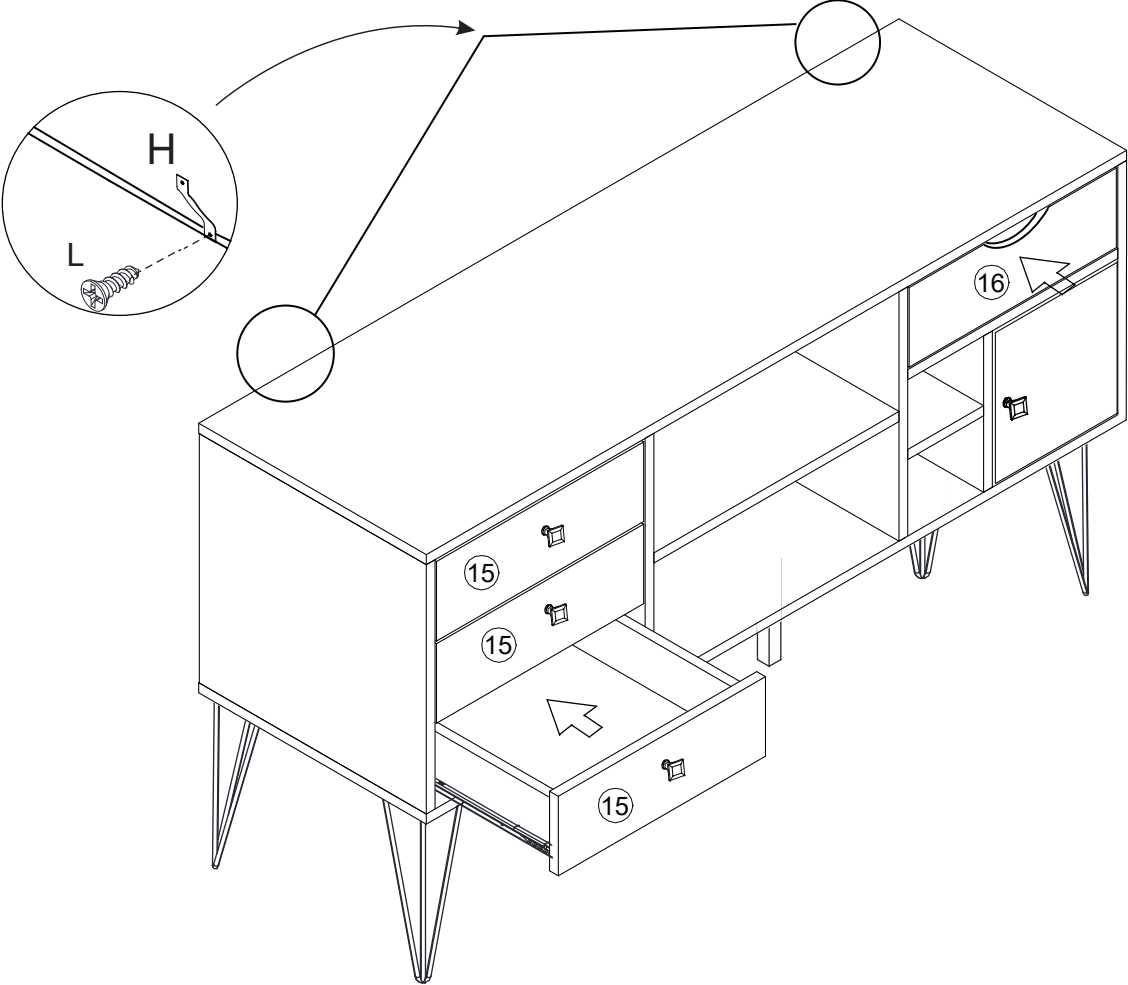
# Step 14



# Step 15

|  |    |
|--|----|
| H  | x2 |
|  |    |

|   |    |
|---|----|
| L   | x2 |
|  |    |



# Step 16

