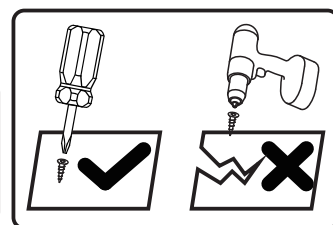
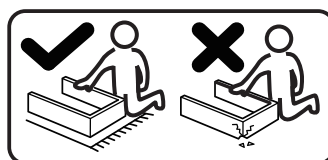
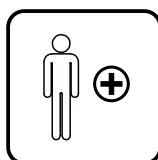
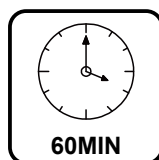
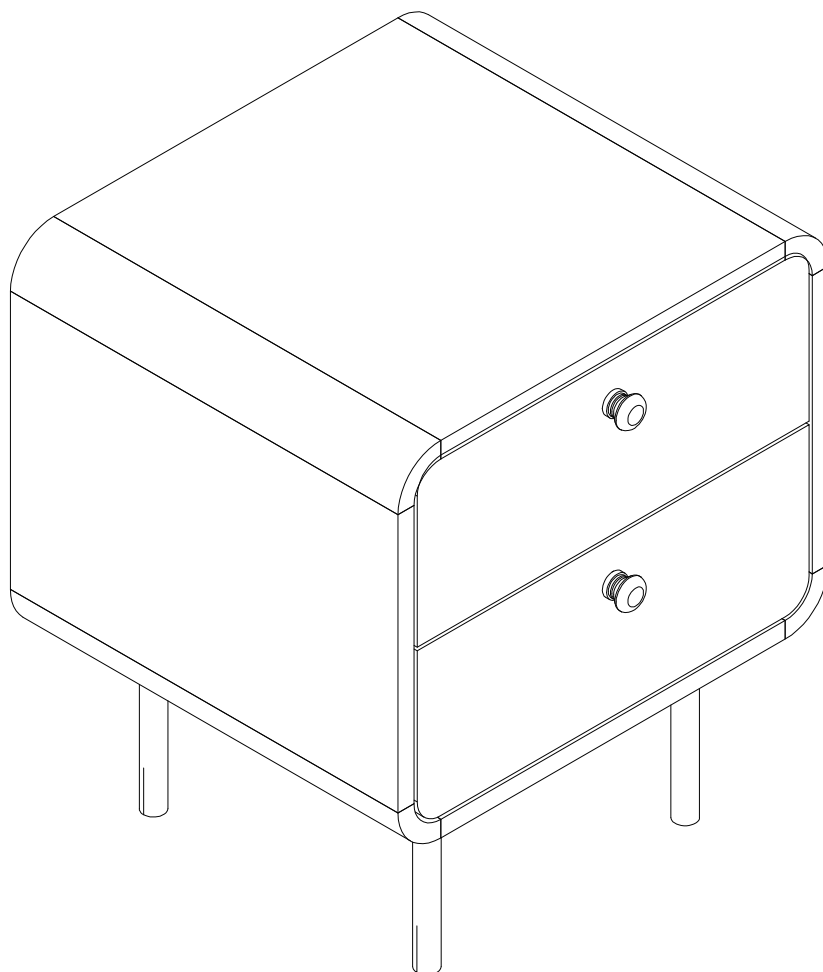


IN250600045V01\_GL

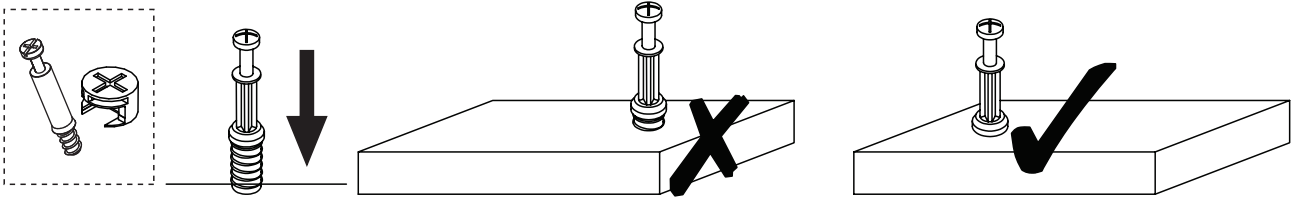
**83D-058V00**



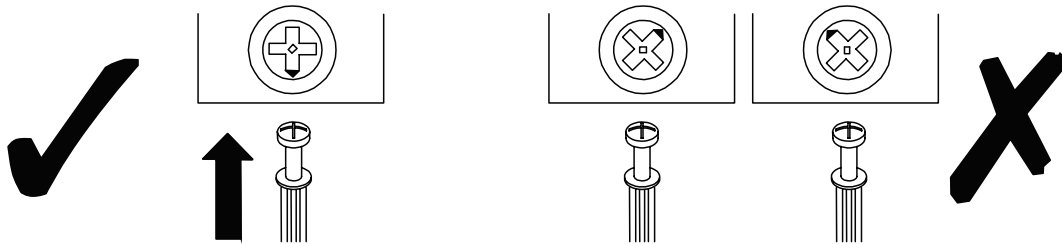
EN\_IMPORTANT, RETAIN FOR FUTURE REFERENCE: READ CAREFULLY.

**IF HAVE THIS ACCESSORY**

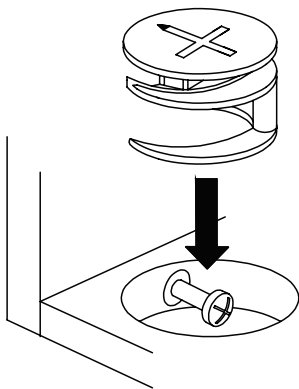
**NOTE DIFFERENT MODELS**



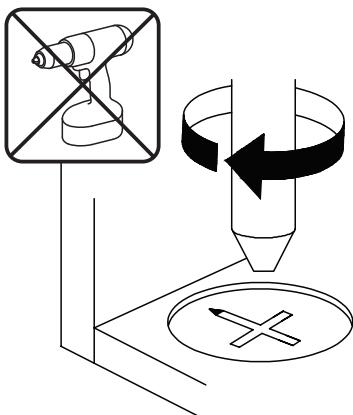
**EN\_Quickfit:** Tighten quickfit until shoulder is flush with panel. Do not overtighten or undertighten.



**EN\_Cam Lock:** When fitting cam lock, ensure starting position is correct before you insert connecting quickfit.



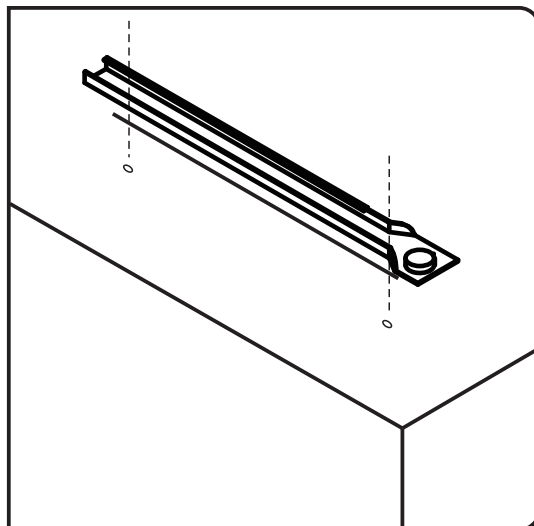
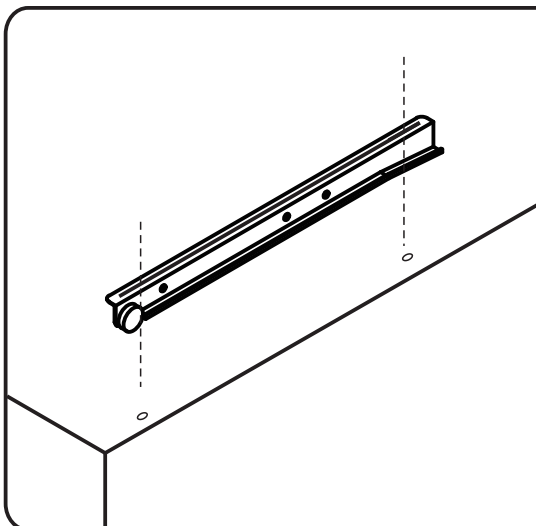
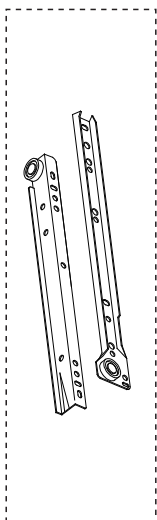
**EN\_Quickfit** head should be in the centre of the cam lock when the two panels are joined.  
Cam lock should be inserted before quickfit.



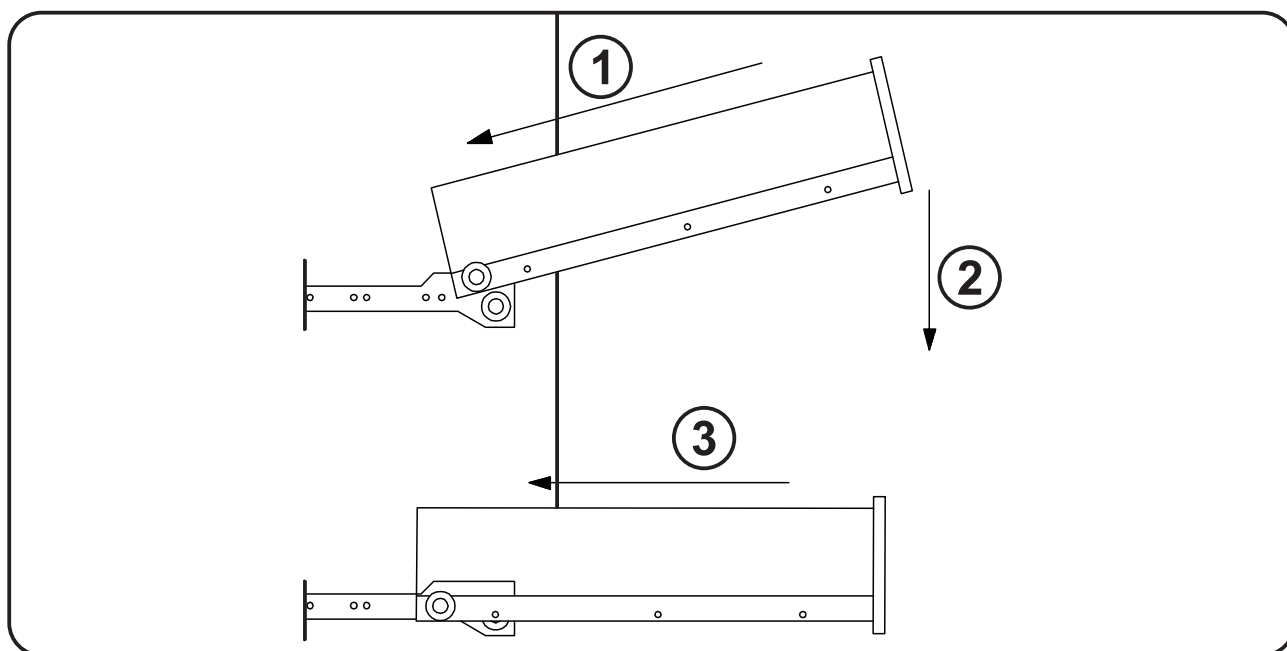
**EN\_Turn** cam lock clockwise to tighten.

**IF HAVE THIS ACCESSORY**

**NOTE DIFFERENT MODELS**



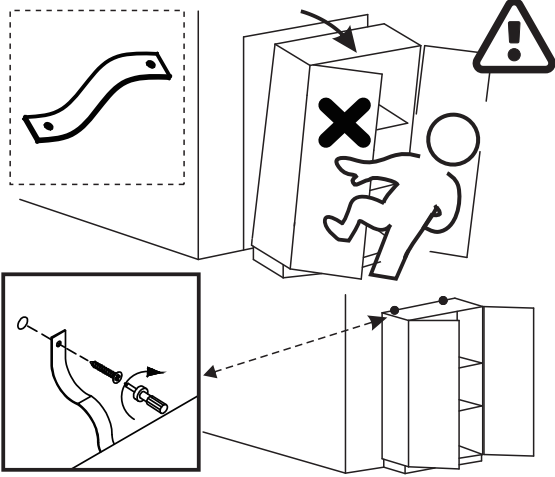
**EN** Please find the exact hole for installation, otherwise it will be misaligned. The screws on the drawer slide must be leveled, otherwise it will affect the smoothness of the drawer.



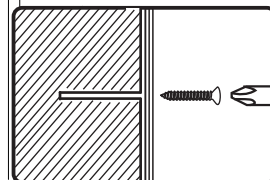
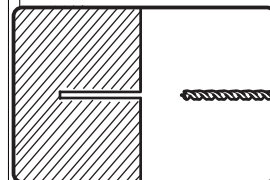
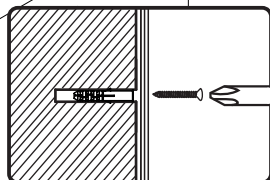
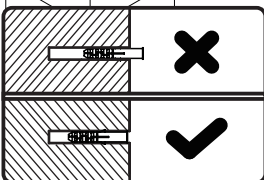
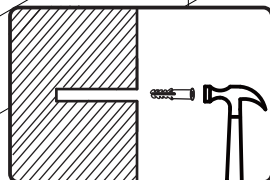
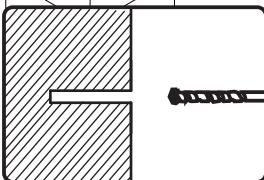
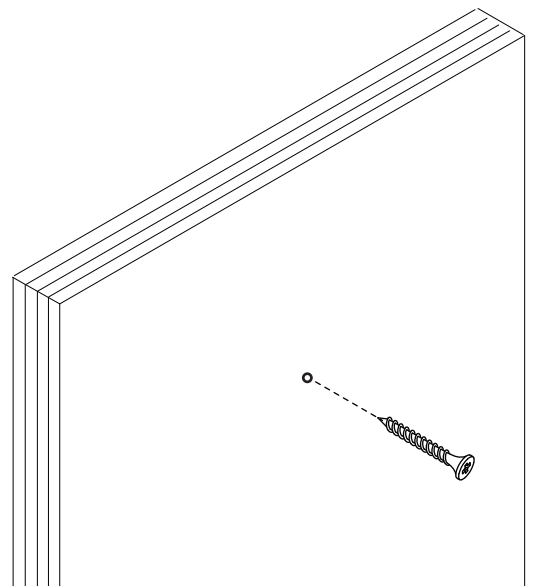
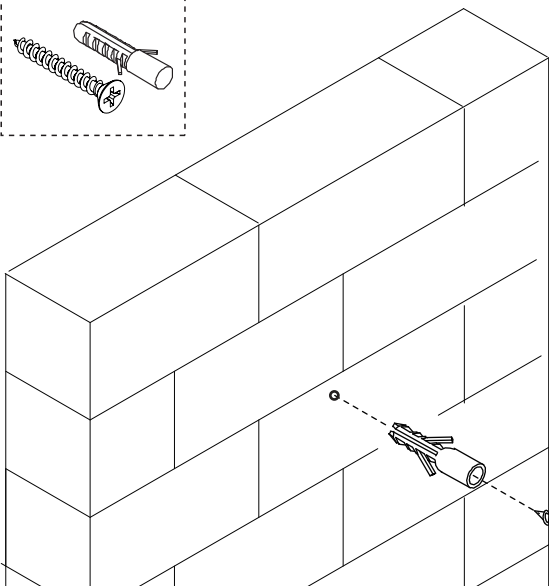
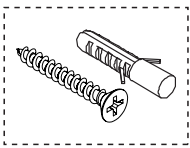
**EN** Be careful to push in the board when the both sides slide way been aligned.

**IF HAVE THIS ACCESSORY**

**NOTE DIFFERENT MODELS**

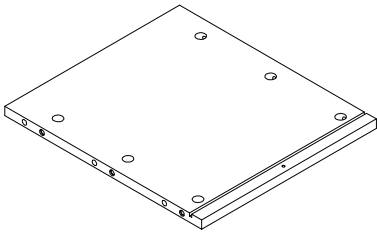


*EN* This is anti-dumping belt that fix the product to the wall and it can be used or not follow your needs.

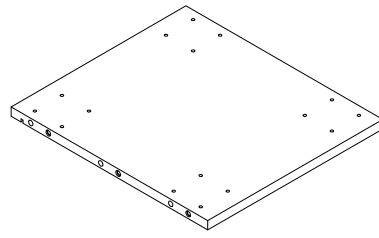


*EN* If it is a solid wall, please use expansion and self-tapping screws, if it is a wooden wall, only use self-tapping screws, please do not overtighten the screws

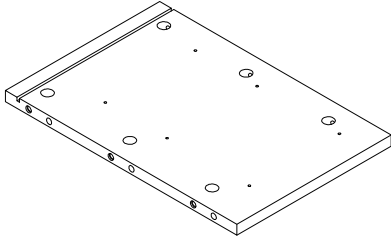
① x 1



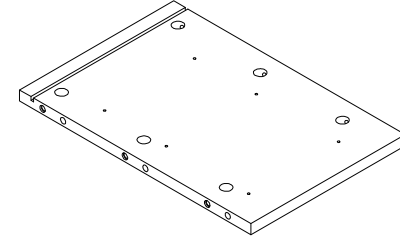
② x 1



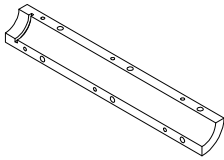
③ x 1



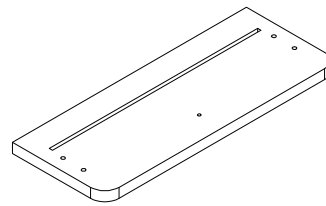
④ x 1



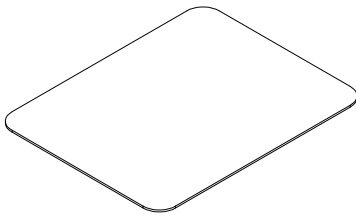
⑤ x 4



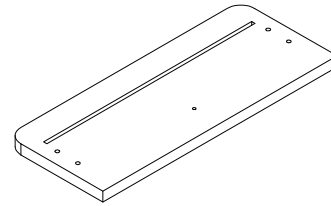
⑥ x 1



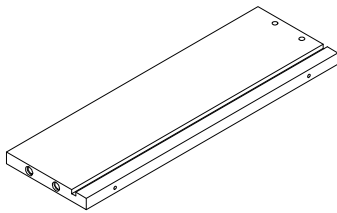
⑦ x 1



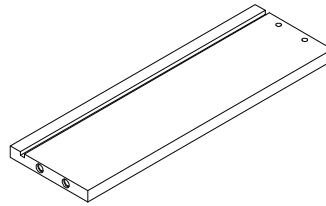
⑧ x 1



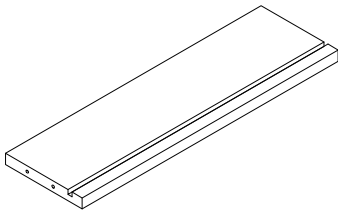
⑨ x 2



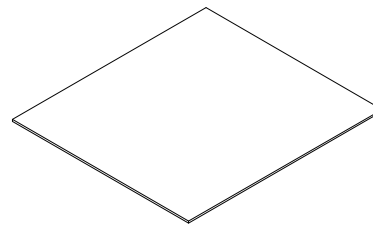
⑩ x 2



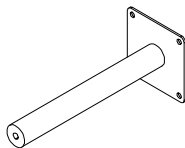
⑪ x 2

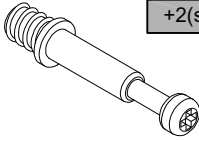
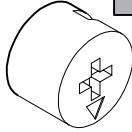

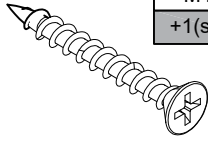
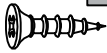
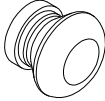
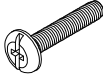
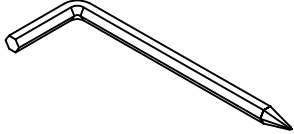

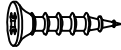
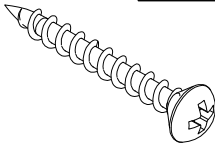
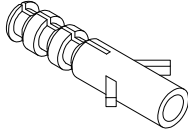
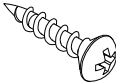

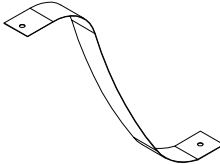
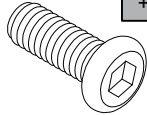
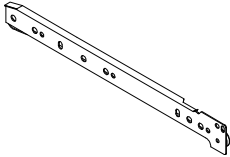
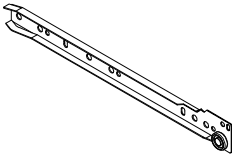
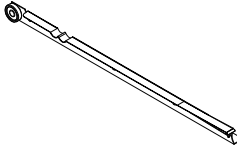
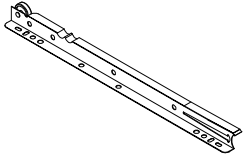


⑫ x 2

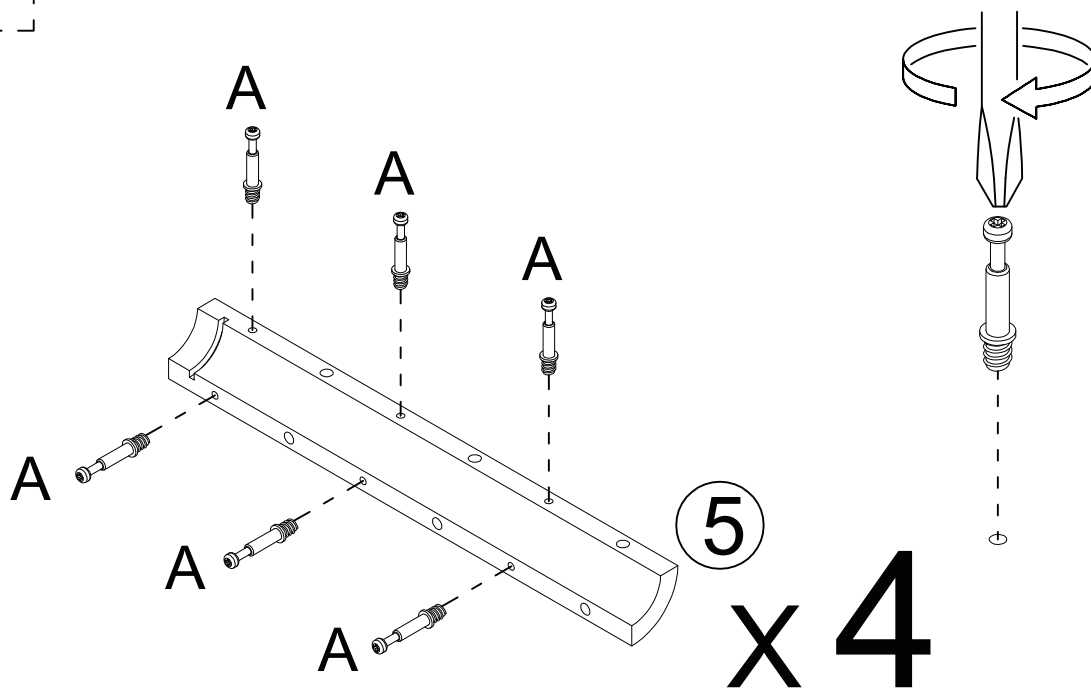
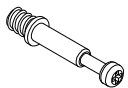


⑬ x 4



<p><b>A</b> x32 M6X35mm +2(spare)</p> 	<p><b>B</b> x32 M15X10mm +2(spare)</p> 	<p><b>C</b> x24 Ø8x40 +2(spare)</p> 	<p><b>D</b> x8 M4x35 +1(spare)</p> 
<p><b>E</b> x20 M3X12mm +2(spare)</p> 	<p><b>F</b> x2</p> 	<p><b>G</b> x2 M4x18</p> 	<p><b>H</b> x1</p> 
<p><b>I</b> x4</p> 	<p><b>J</b> x4 M3x14</p> 	<p><b>K</b> x1 M4x35</p> 	<p><b>L</b> x1</p> 
<p><b>M</b> x1 M4x14</p> 	<p><b>N</b> x2</p> 	<p><b>O</b> x1</p> 	<p><b>P</b> x16 M6x12 +1(spare)</p> 
<p><b>CL</b> x2</p> 	<p><b>CR</b> x2</p> 	<p><b>DL</b> x2</p> 	<p><b>DR</b> x2</p> 

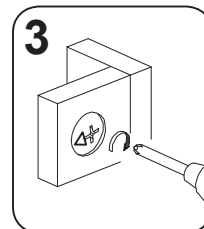
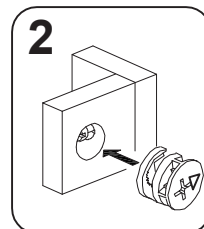
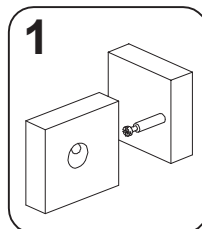
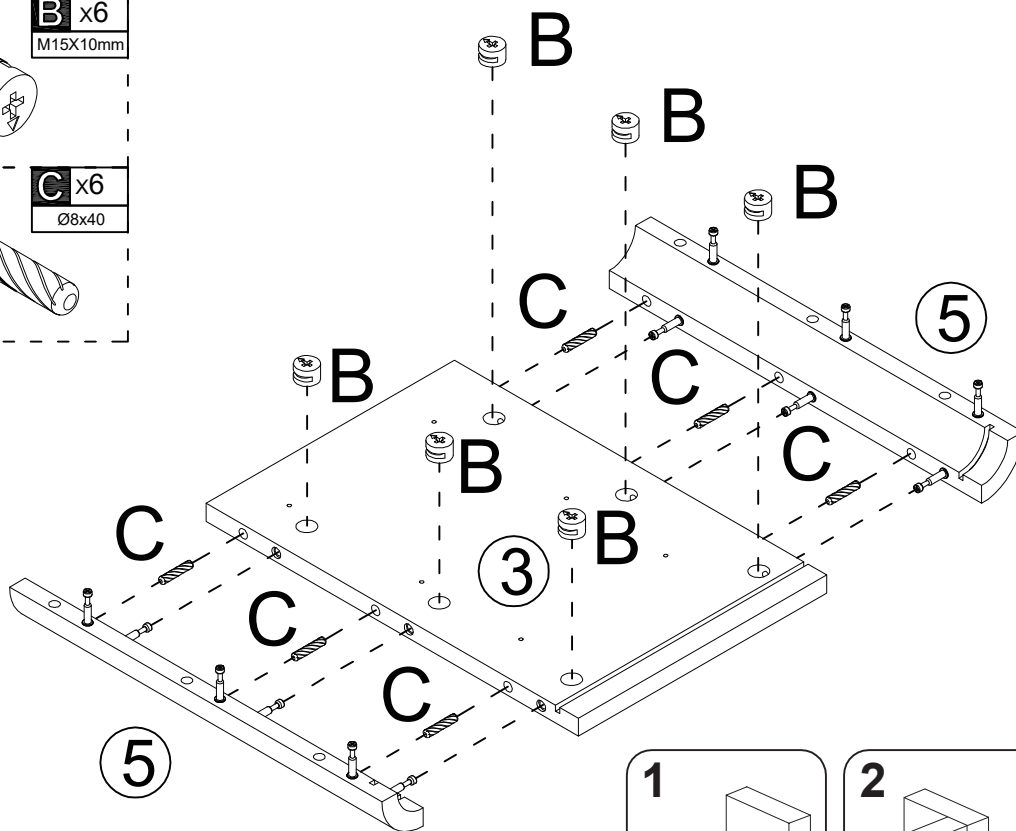
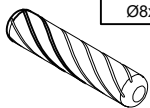
**A** x24  
M6X35mm



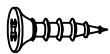
**B** x6  
M15X10mm



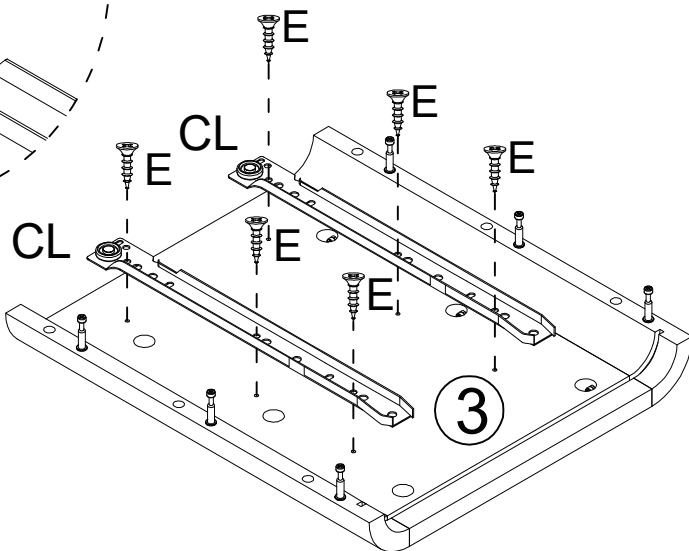
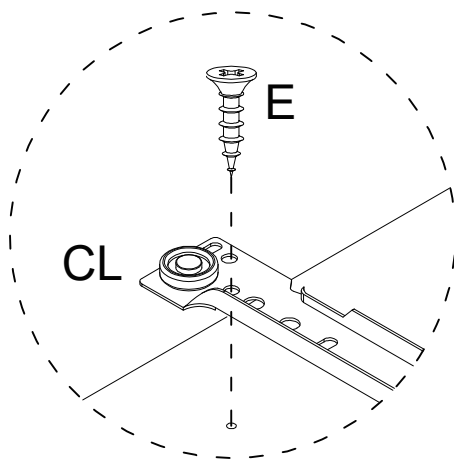
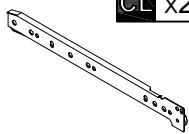
**C** x6  
Ø8x40



**E** x6  
M3X12mm



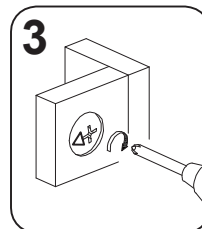
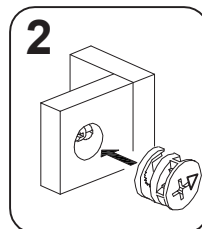
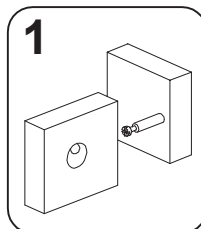
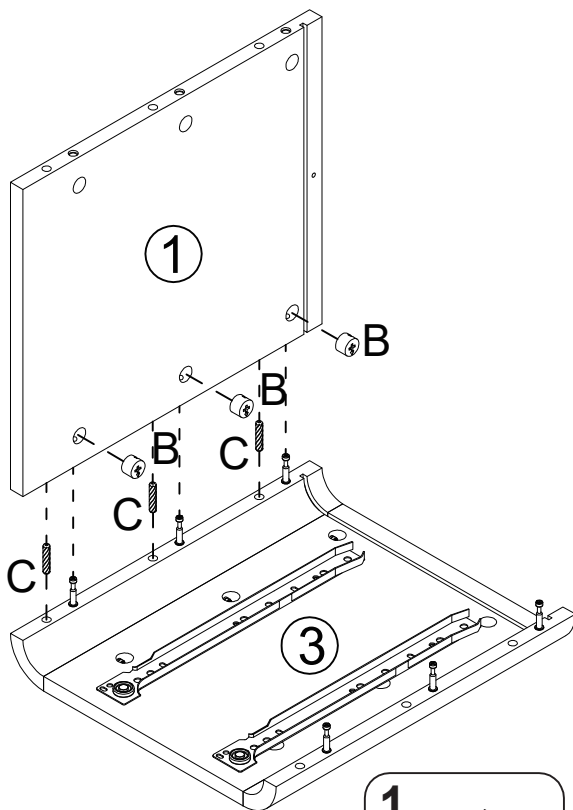
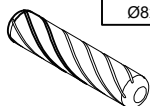
**CL** x2

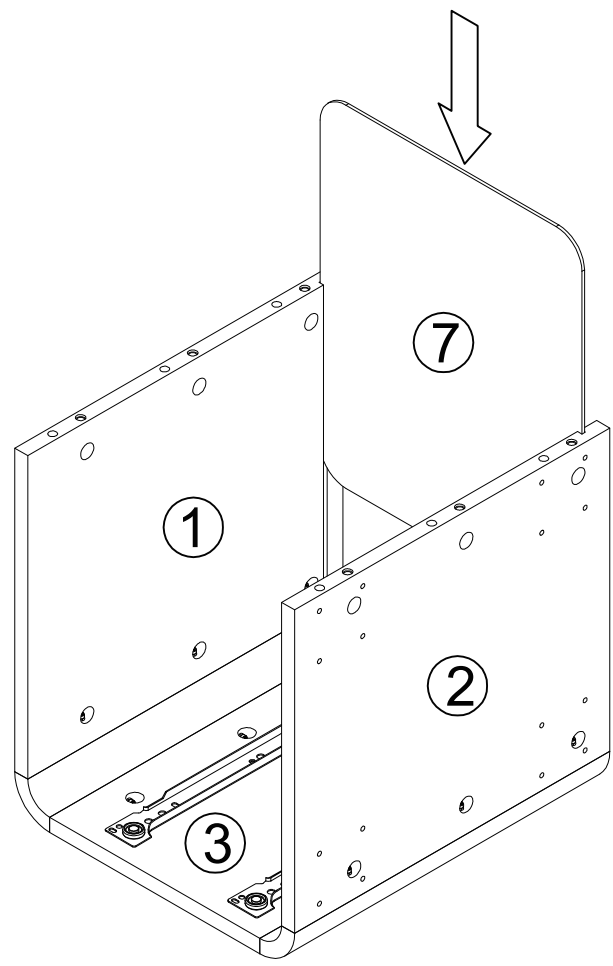
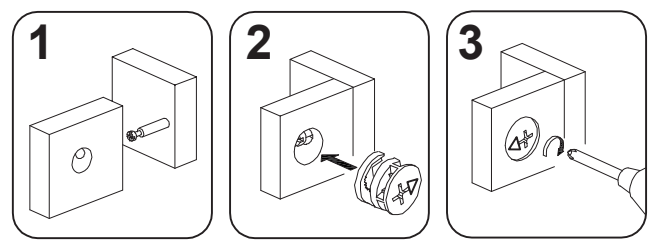
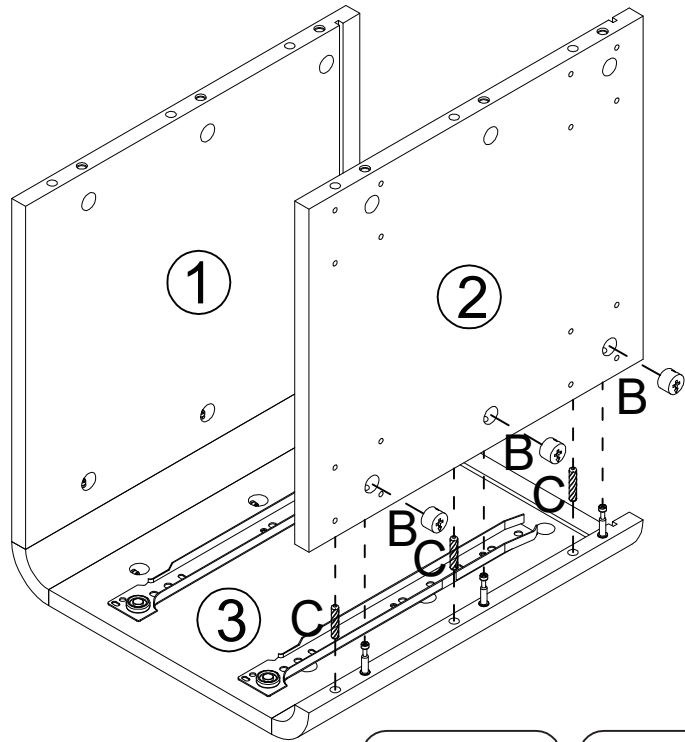
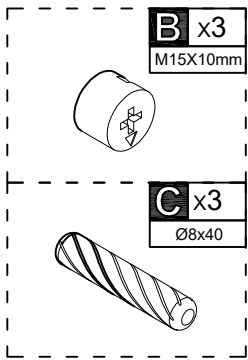


**B** x3  
M15X10mm



**C** x3  
Ø8x40

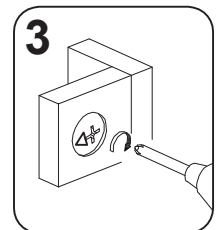
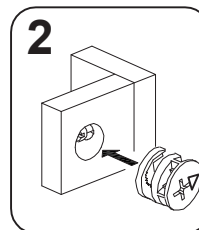
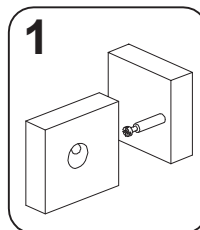
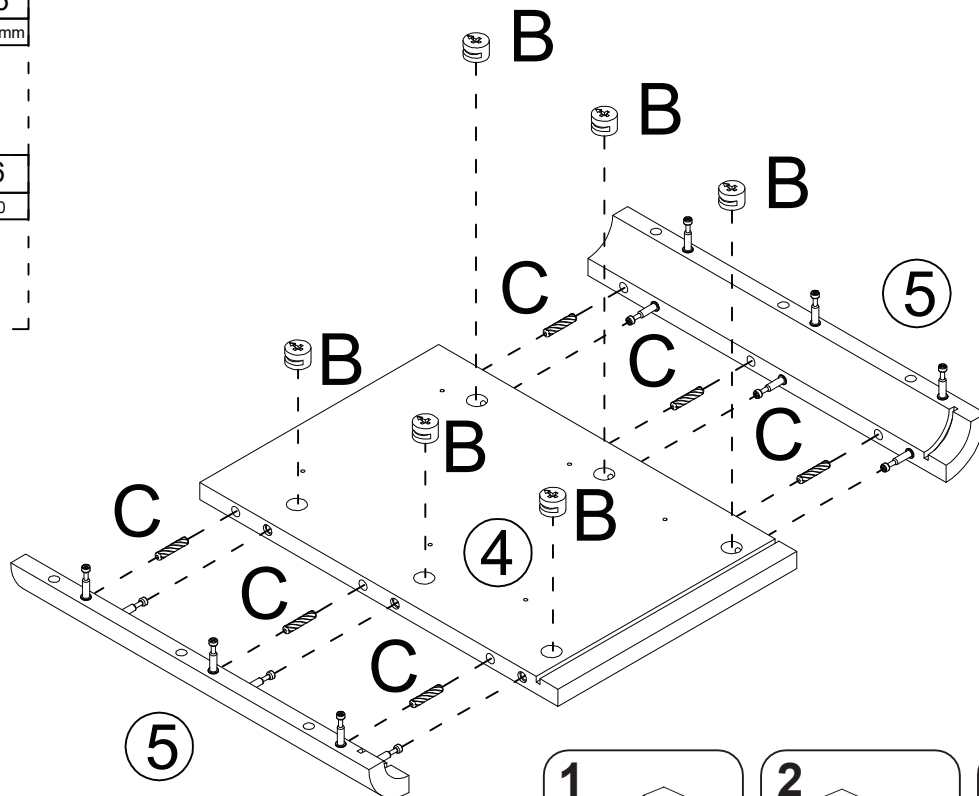
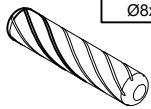




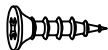
**B** x6  
M15X10mm



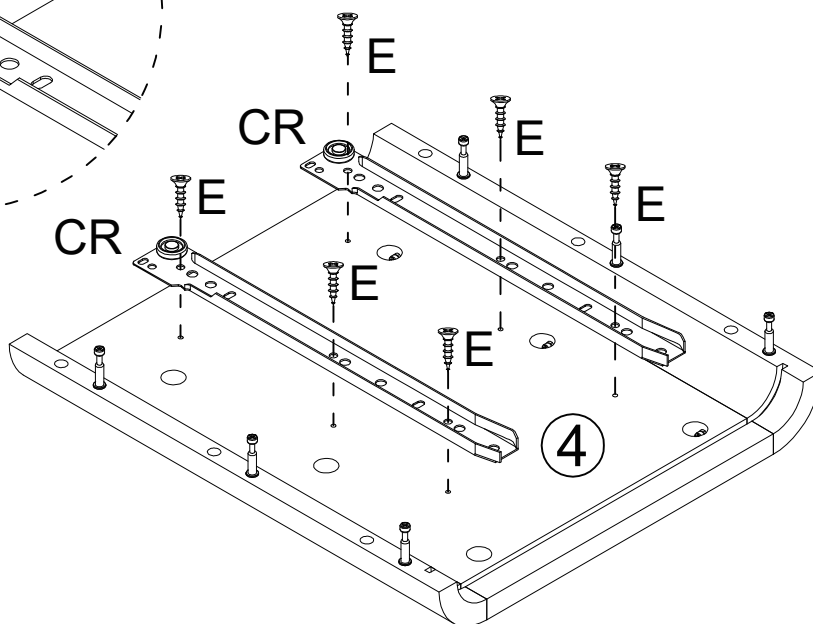
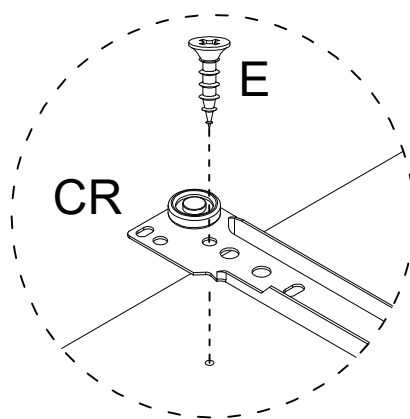
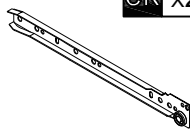
**C** x6  
Ø8x40

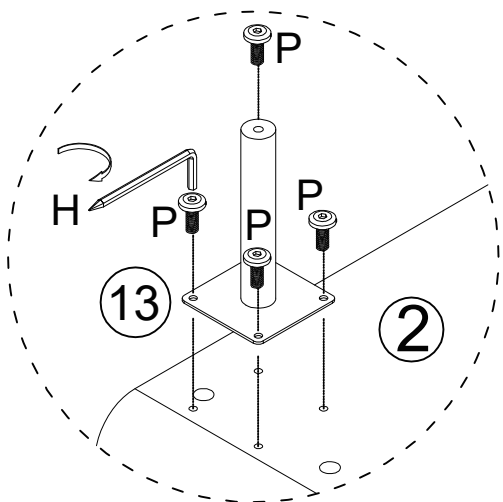
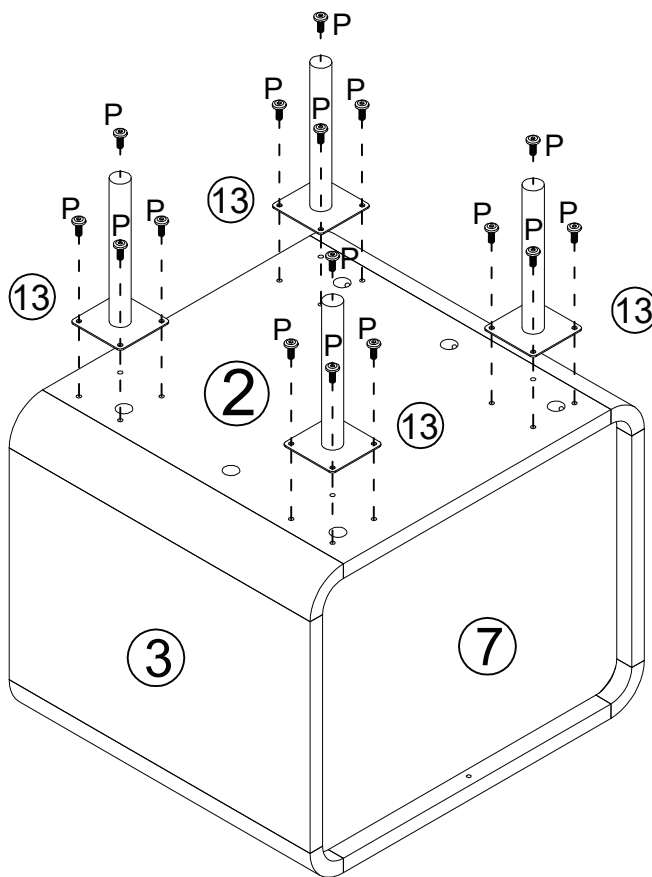
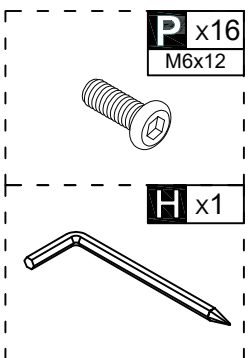
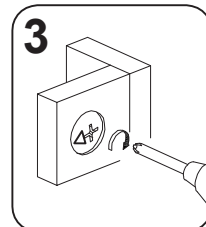
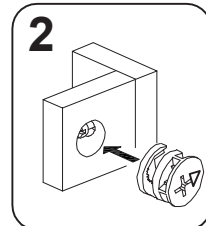
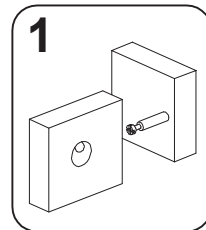
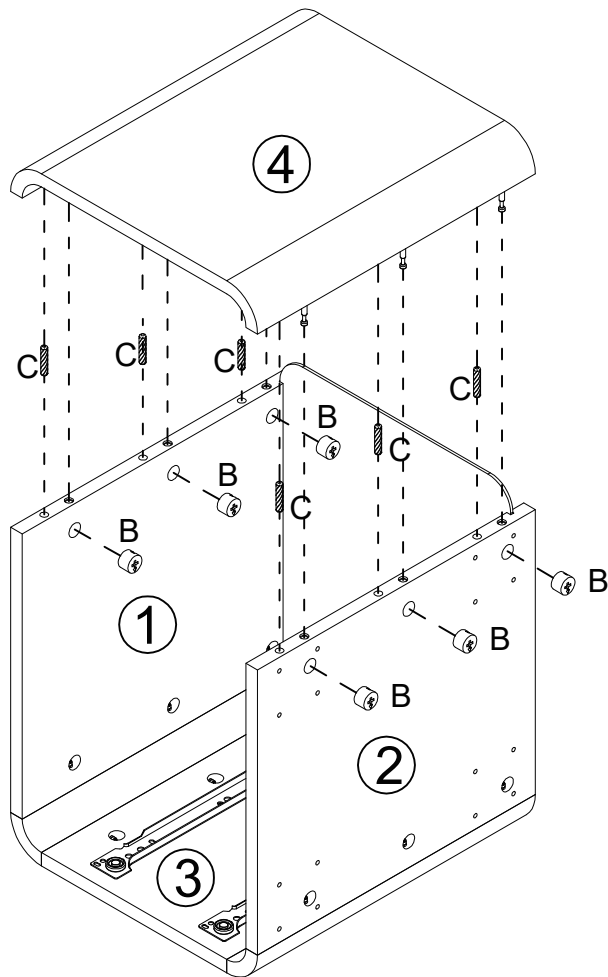
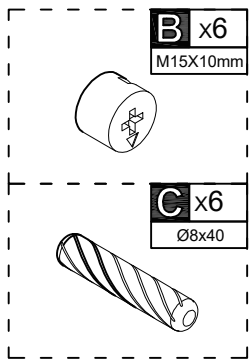


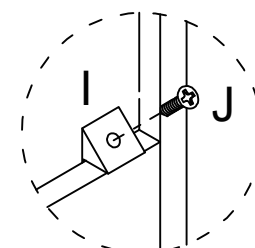
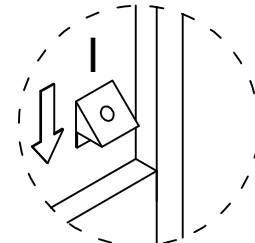
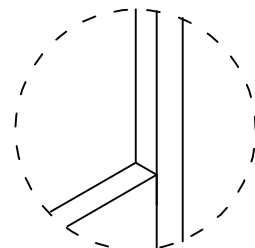
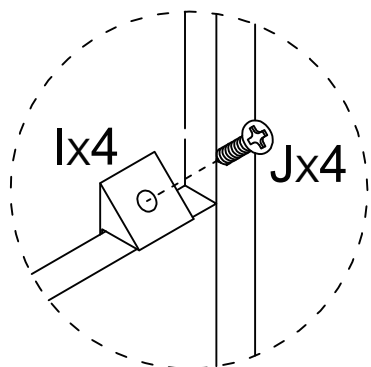
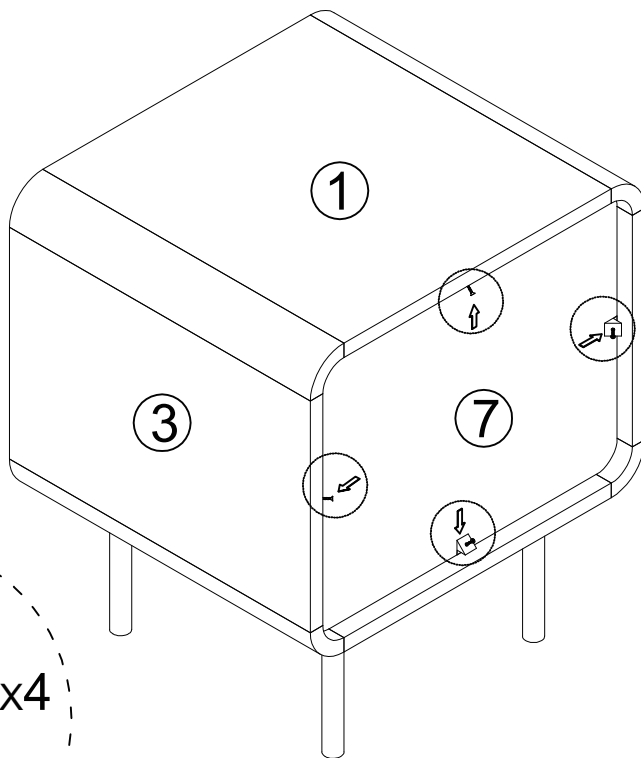
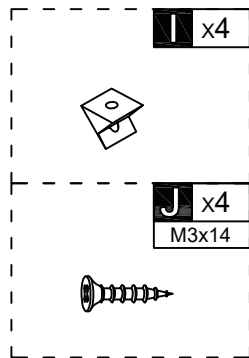
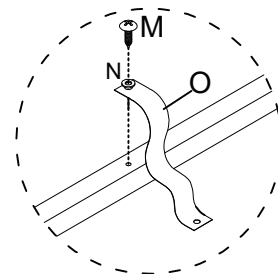
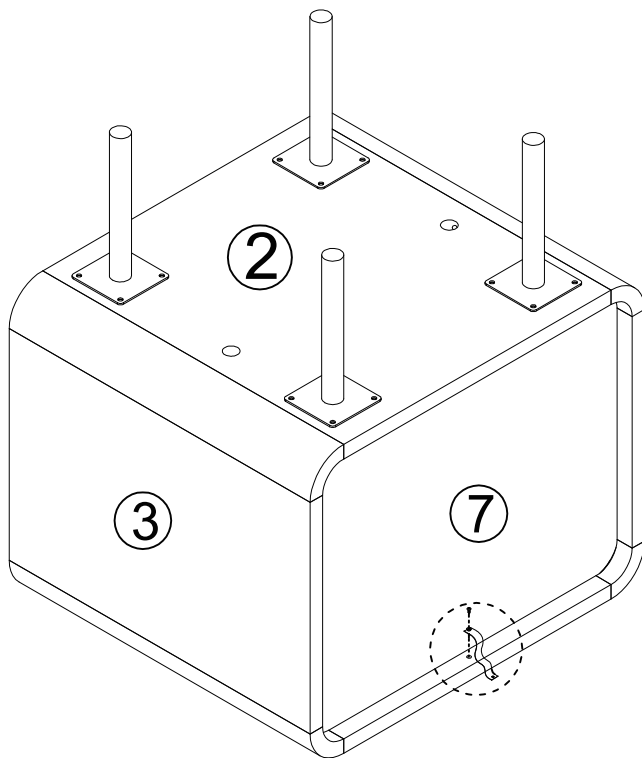
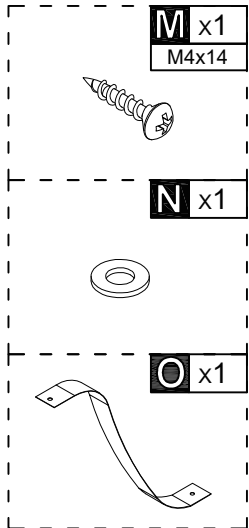
**E** x6  
M3X12mm



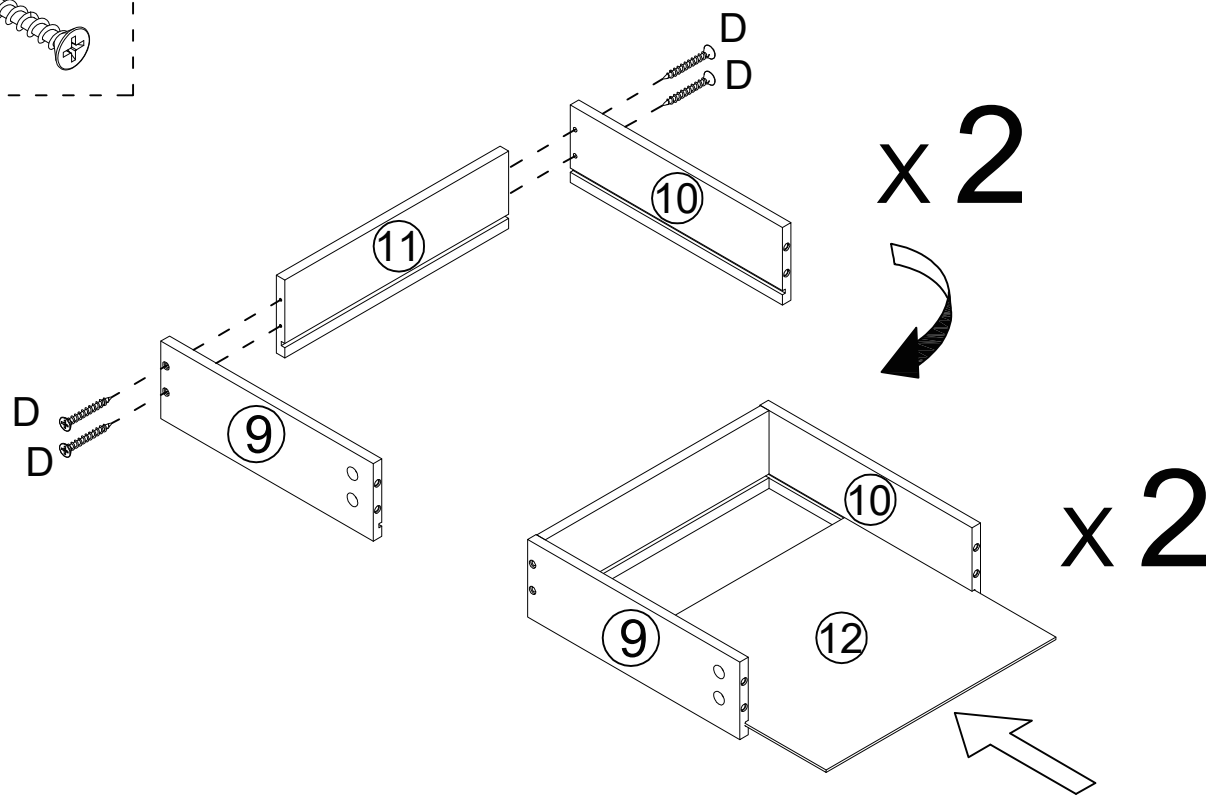
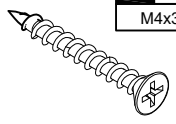
**CR** x2



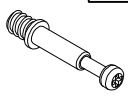




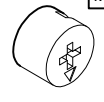
**D** x8  
M4x35



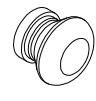
**A** x4  
M6X35mm



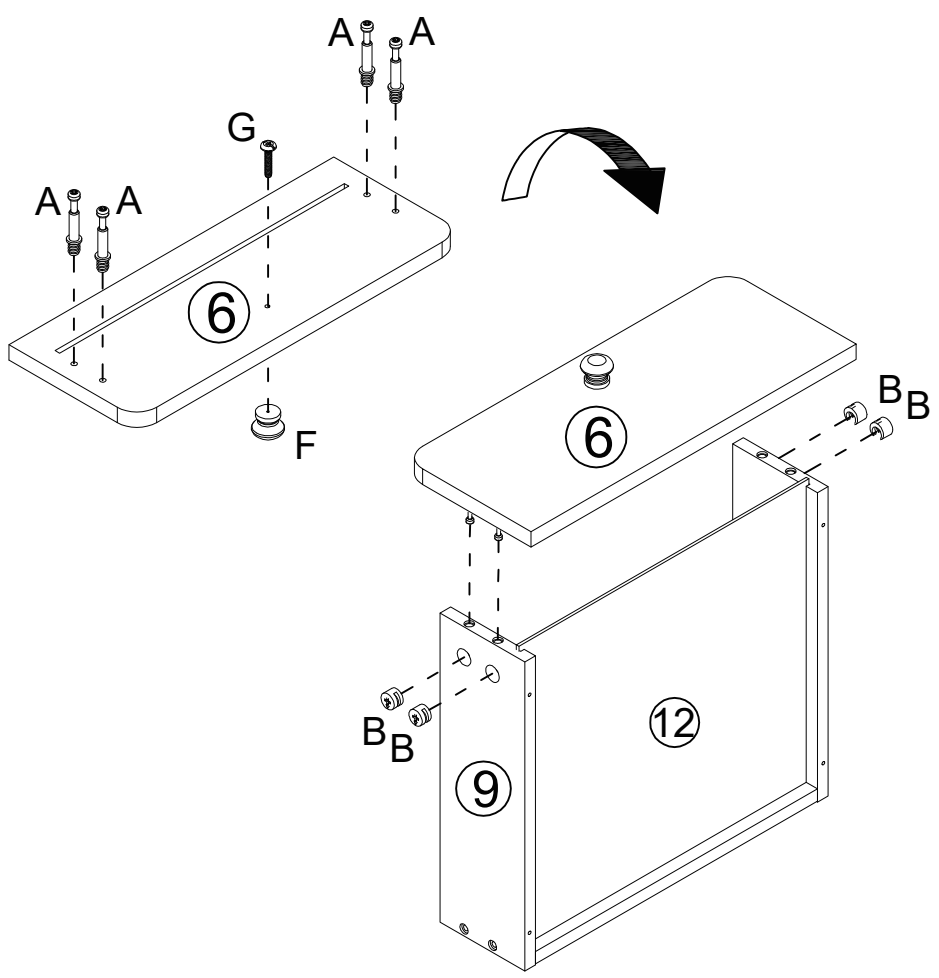
**B** x4  
M15X10mm



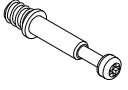
**F** x1



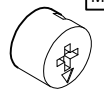
**G** x1  
M4x18



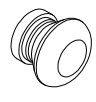
**A** x4  
M6X35mm



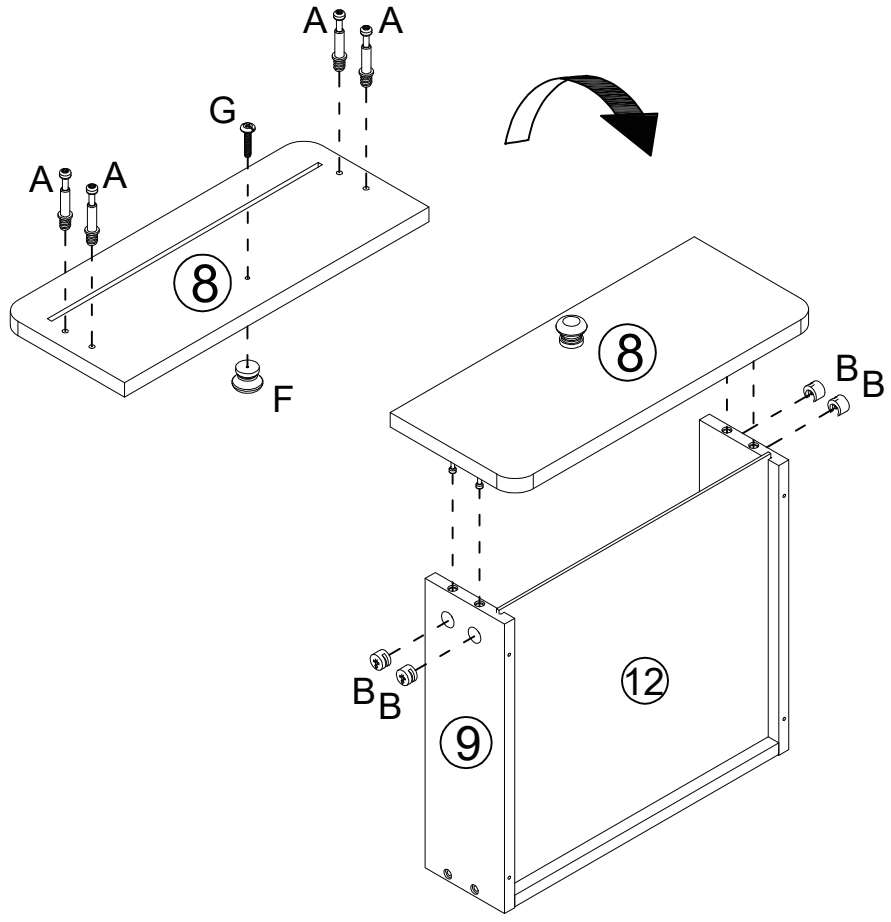
**B** x4  
M15X10mm



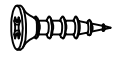
**F** x1



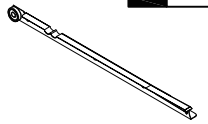
**G** x1  
M4x18



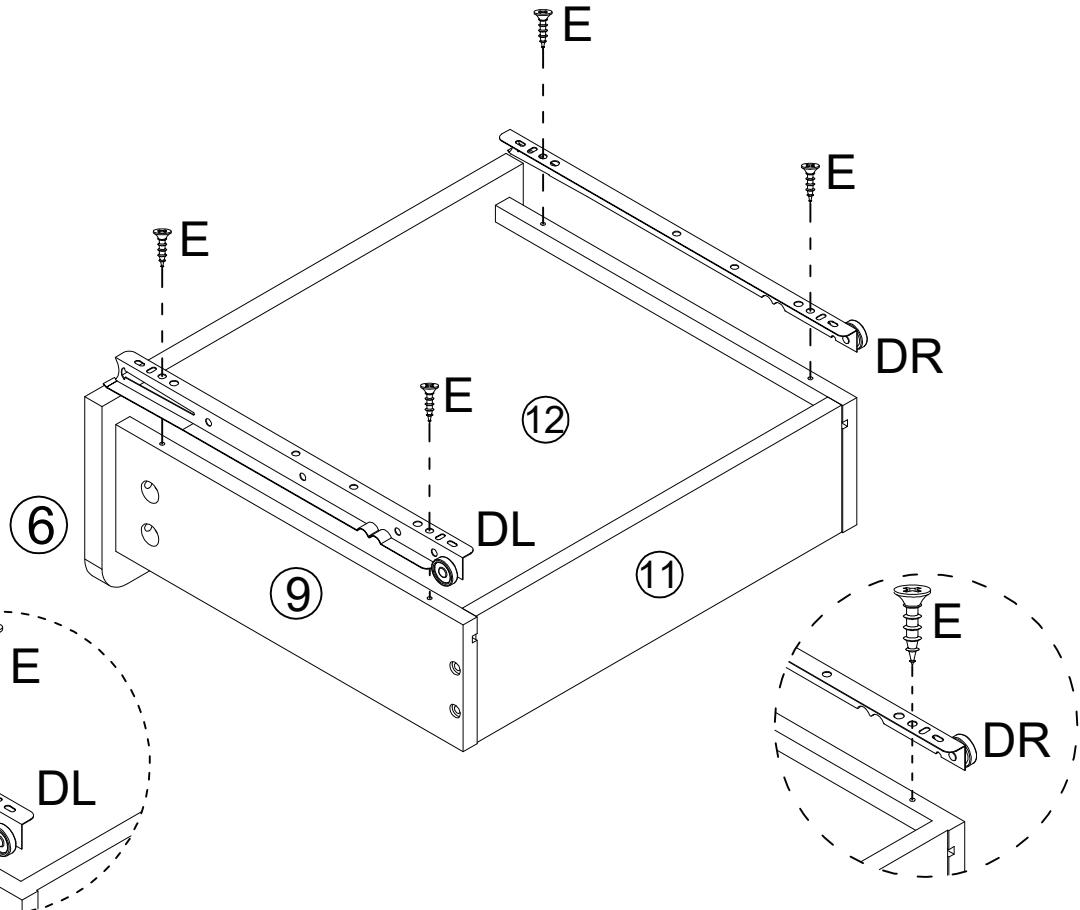
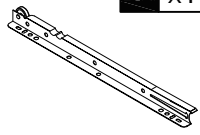
**E** x4  
M3X12mm



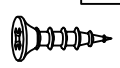
**DL** x1



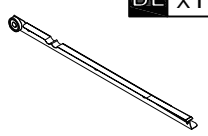
**DR** x1



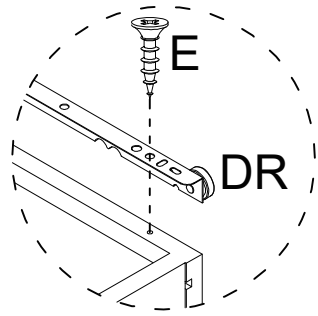
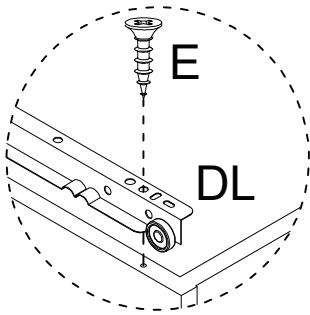
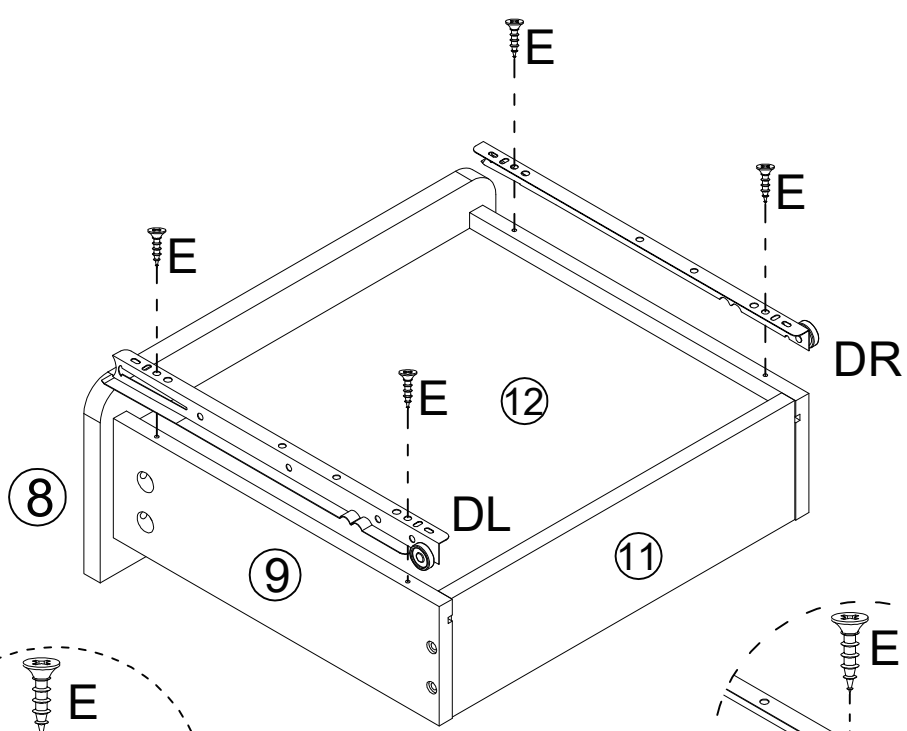
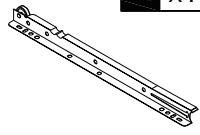
**E** x4  
M3X12mm



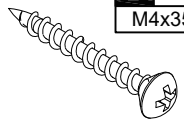
**DL** x1



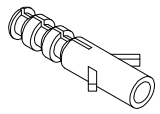
**DR** x1



**K** x1  
M4x35



**L** x1



**N** x1

