



ASSEMBLY INSTRUCTIONS

ITEM NO : C0367A-N45

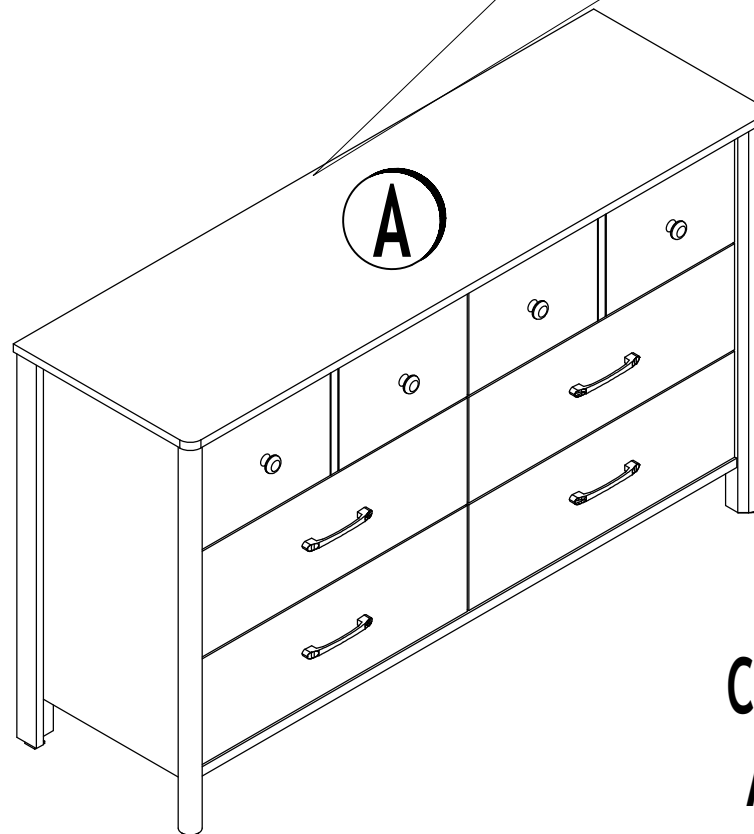
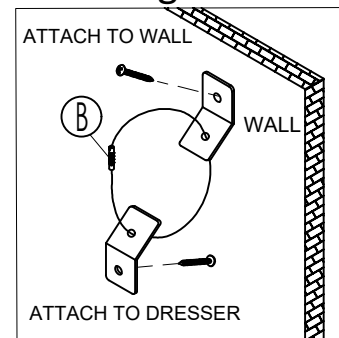
DESCRIPTION : DRESSER W/FULL EXTENTION
DRAWER GLIDES - ASTM
COMPLIANT, 6 DRAWERS

Place all wood parts on a clean and smooth surface to keep them from being scratched.

ITEM	DRAWING	DESCRIPTION	QTY
A		DRESSER	1
B		TIPPING RESTRAINT	1

STEP 1

Tipping restraint must be attached at back of Dresser above and on the right or left



**COMPLETED
ASSEMBLY**

NOTE: SCREWS LOOSEN WITH USE.
CHECK FOR LOOSE SCREWS AND TIGHTEN EVERY 6-8 WEEKS

CLEANING INSTRUCTIONS:








If necessary, clean & polish all surfaces after assembly with a soft cloth and industrial furniture polish.

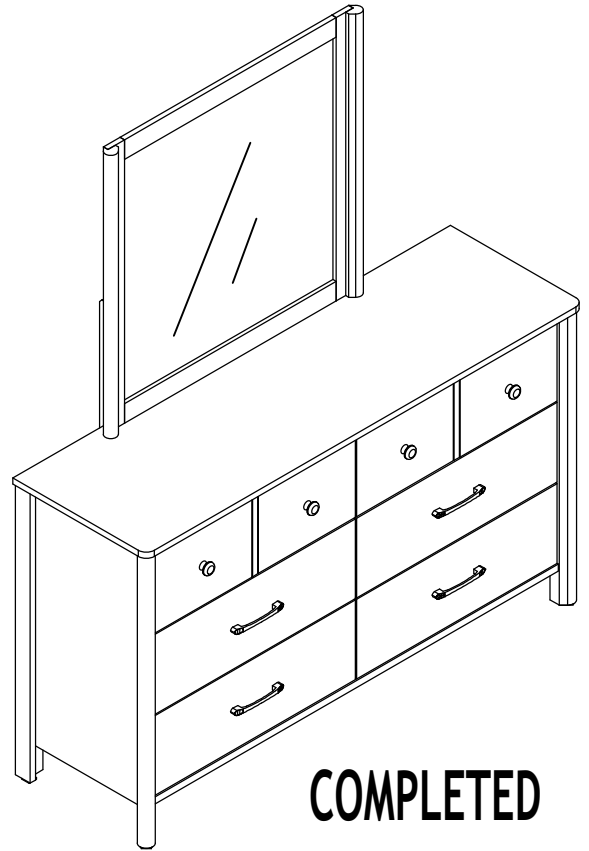
MADE IN MALAYSIA

ASSEMBLY INSTRUCTIONS

ITEM NO : C0376A-050
C0376A-N45
DESCRIPTION : MIRROR / DRESSER

Place all wood parts on a clean and smooth surface to keep them from being scratched.

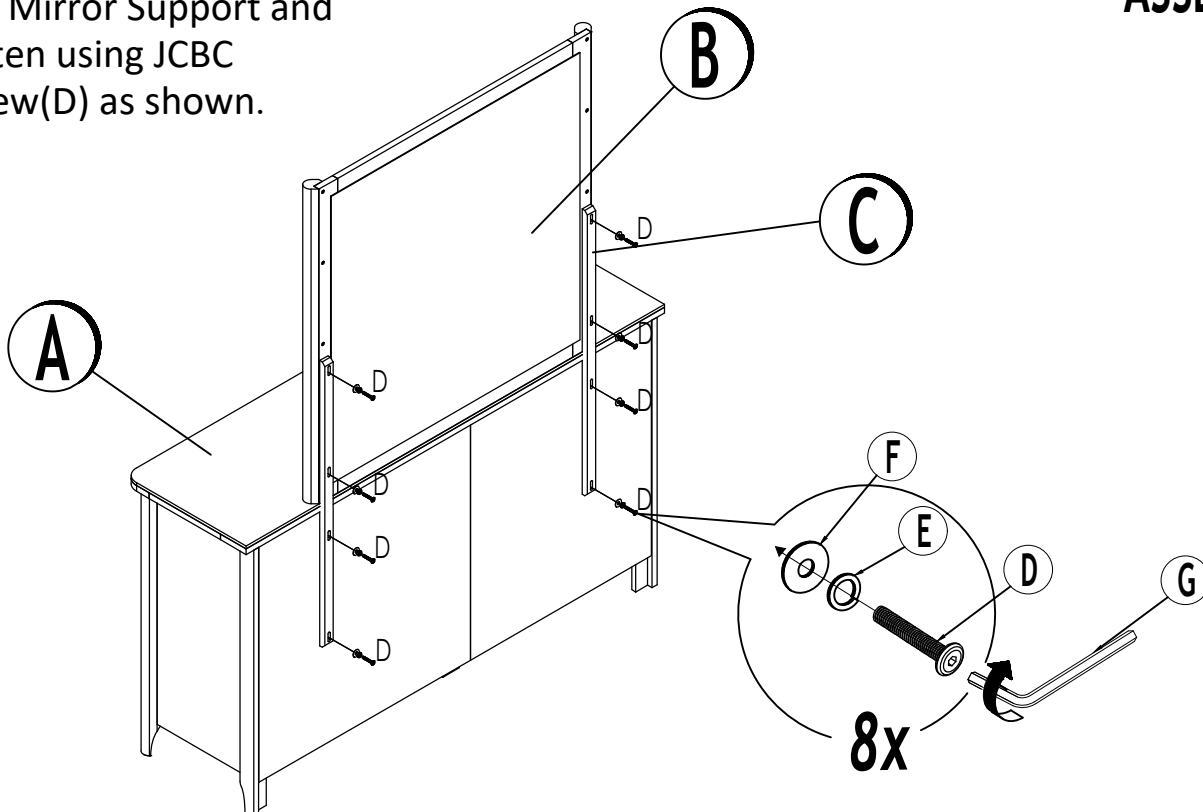
ITEM	DRAWING	DESCRIPTION	QTY
A		DRESSER	1
B		MIRROR	1
C		MIRROR SUPPORT	2
D		JCBC (M6 x 35)	8
E		SPRING WASHER (M8)	8
F		FLAT WASHER (M8 x 18)	8
G		ALLEN KEY (M4)	1



**COMPLETED
ASSEMBLY**

STEP 1

Attach & tighten the Mirror to the Mirror Support and fasten using JCBC screw(D) as shown.



NOTE: SCREWS LOOSEN WITH USE.
CHECK FOR LOOSE SCREWS AND TIGHTEN EVERY 6-8 WEEKS

CLEANING INSTRUCTIONS:

If necessary, clean & polish all surfaces after assembly with a soft cloth and industrial furniture polish.

MADE IN MALAYSIA