






ASSEMBLY INSTRUCTIONS

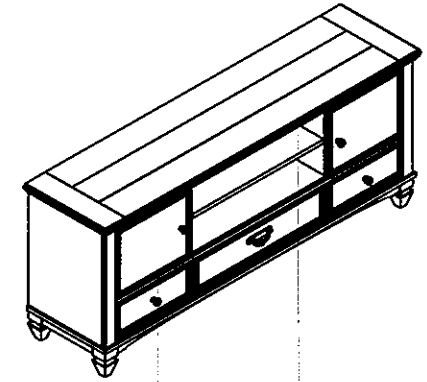
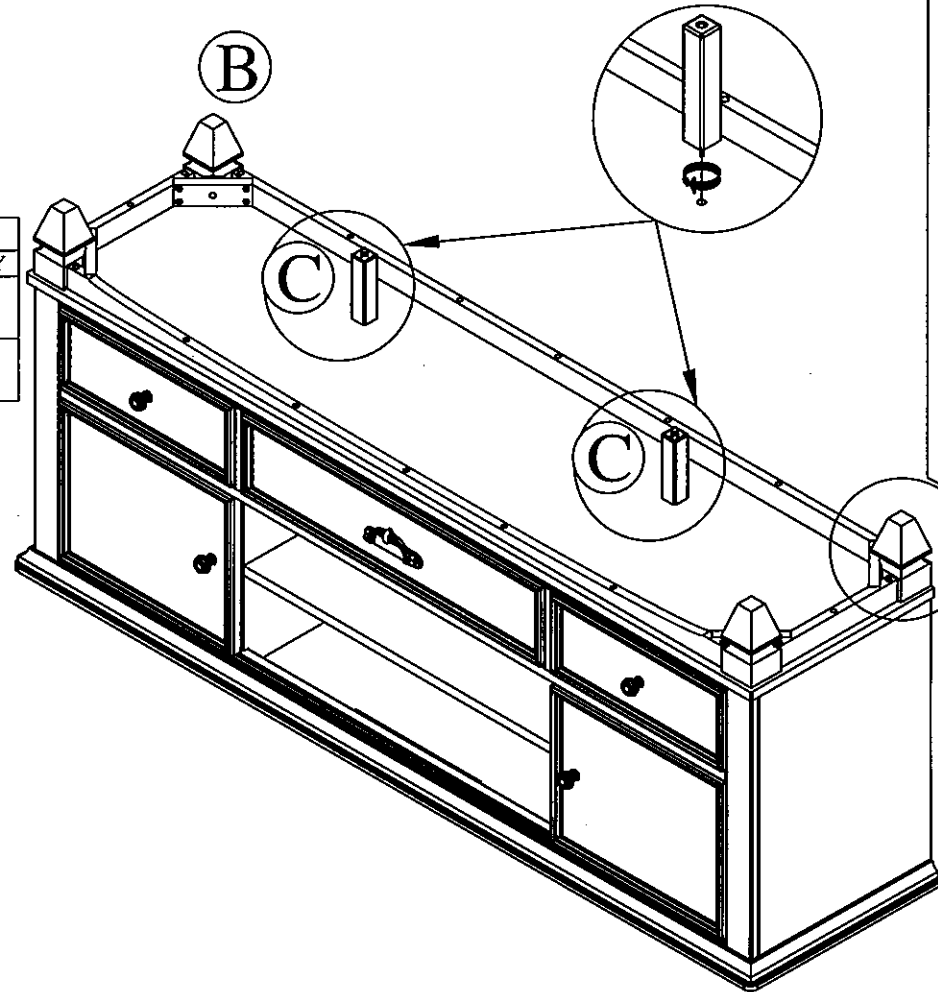
MODEL: B9100-7 SAWYER MEDIA CHEST

Thank you for purchasing this quality product. Be sure to check all packing material carefully for small parts which may have come loose inside the carton during shipment. Identify and count all parts and compare with hardware list as below:

STEP 1

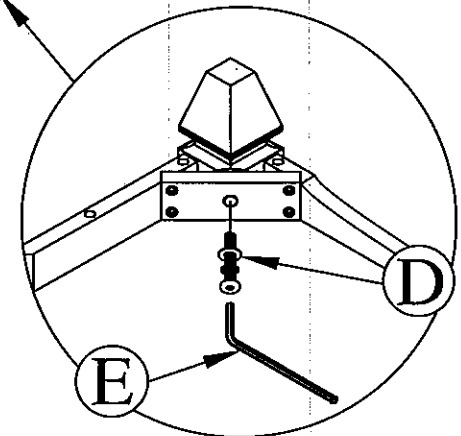
(BOX 1) BOX OF MEDIA CHEST			
ITEM	DRAWING	DESCRIPTION	QTY
A		MEDIA CHEST	1
B		BOTTOM LEG	4
C		SUPPORT LEG	2

(BOX 1) BOX OF MEDIA CHEST (HARDWARE LIST)				
ITEM	DRAWING	DESCRIPTION	DIMENSION	QTY
D		JCBB (M8) WITH WASHER	8 x P1.0 x 50MM	4
E		ALLEN KEY M5	5 x 35 x 55MM	1



COMPLETED ASSEMBLY

Step 1 : Attach and tighten the MEDIA CHEST bottom leg (B) to the bottom frame and insert JCBB (D) With Washer (E) as shown.



NOTE: PERIODICALLY CHECK TO ENSURE THAT ALL CONNECTORS (BOLTS, SCREWS, ETC) ARE TIGHT.

CLEANING INSTRUCTION

After assembly, clean & polish the complete parts if necessary with soft cloth and industrial recognized furniture polish.

THE ANTI TIPPING HARDWARE IS LOCATED IN THE RIGHT SIDE FRONT DRAWER OF MEDIA CHEST

THE HARDWARE IS LOCATED IN THE PACKING ITEMS

MADE IN MALAYSIA