

# ASSEMBLY INSTRUCTIONS

**MODEL : C0332A-050  
DRESSER & MIRROR**

**(BOX 1)**

BOX OF MIRROR

NO	ITEM	QTY
A	MIRROR	1 PC

**(BOX 2)**

BOX OF DRESSER

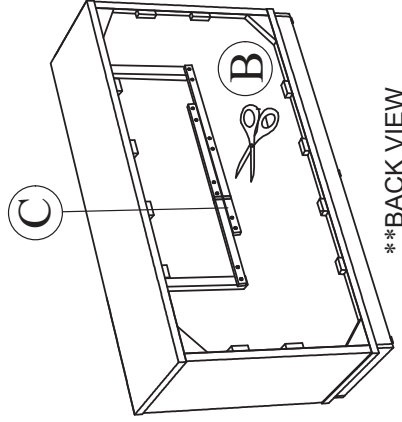
NO	ITEM	QTY
B	DRESSER	1 PC
C	MIRROR SUPPORT	2 PCS

**(BOX 1)**

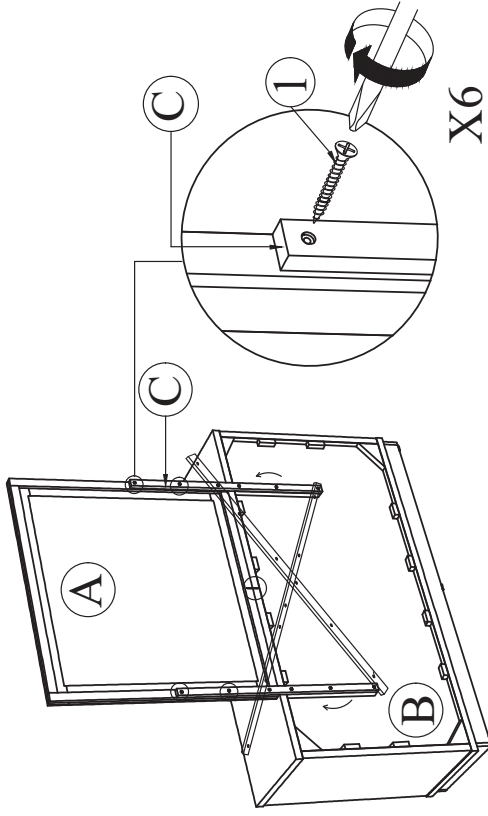
BOX OF MIRROR

NO	ITEM	QTY
1	FLAT HEAD CHIPBOARD SCREW m4 x 32mm KBW	10 PCS

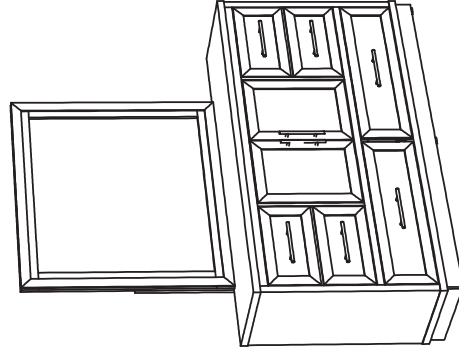
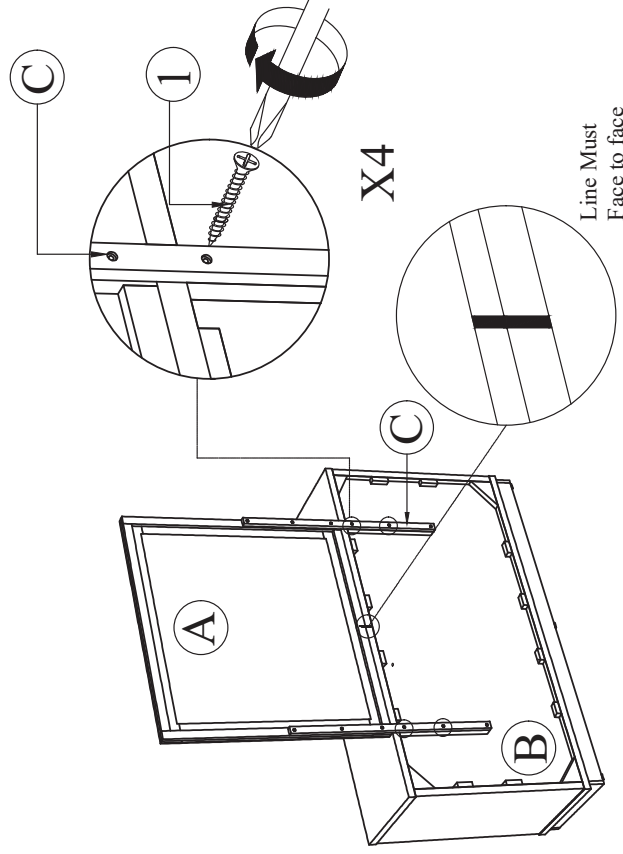
**STEP 1 :** Cut of the Raffia String from the back of DRESSER ( B ).



**STEP 2 :** Turn the MIRROR SUPPORT RAIL ( C ) upward at the back of DRESSER ( B ), then Tighten with CSK SCREW ( 1 ). Place the MIRROR FRAME ( A ) on the top of DRESSER ( B ). Tighten with Flat Head Chipboard Screw ( 1 ).



**STEP 3 :** Tighten the Flat Head Chipboard Screw ( 2 ) as shown.



**COMPLETED ASSEMBLY**

NOTE : MUST TIGHTEN SCREWS PERIODICALLY WITH USE SCREW WILL BECOME LOOSE CHECK TIGHTNESS OF ALL SCREW EVERY 6-8 WEEKS.