

ASSEMBLY INSTRUCTIONS

MODEL :
C0332A-G49 / C0332A-BXN
EASTERN KING (4+8)

(Box 1)
BOX OF HEADBOARD & FOOTBOARD

No	ITEM	Qty
A	Headboard	1 pc
B	Footboard	1 pc
C	Headboard Leg (L)	1 pc
D	Headboard Leg (R)	1 pc
E	Bed Slats	4 pcs
F	Bed Slats Support	8 pcs
G	Headboard Bottom Stretcher	1 pc

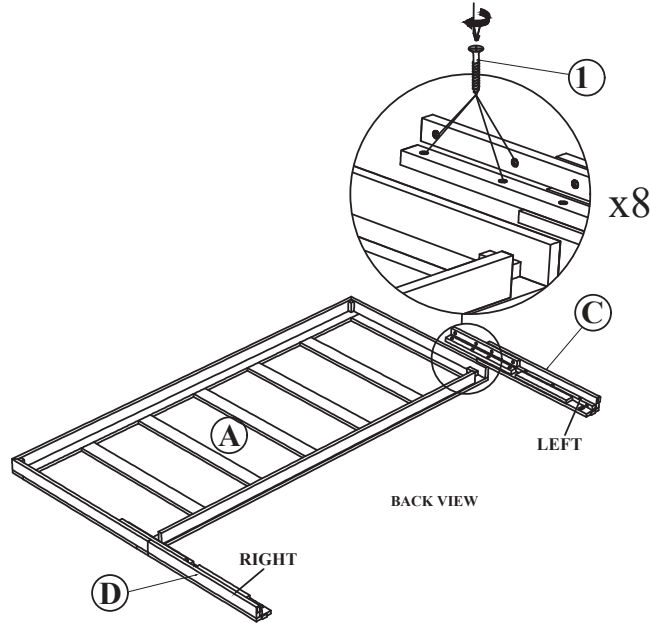
(Box 2)
BOX OF SIDE RAIL

No	ITEM	Qty
H	Side Rail	2 pcs

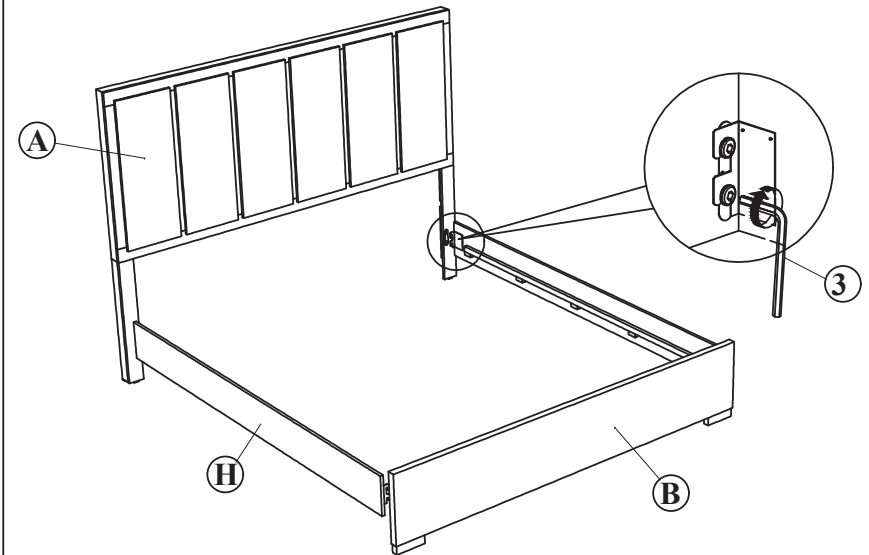
(Box 1)
HARDWARE LIST

No	ITEM	Qty
1	Pan Head M4 x 32mm Blk	12 pcs
2	Csk M4 x 32mm Rbw	8 pcs
3	ALLEN KEY m5x65mm Blk	1 pc

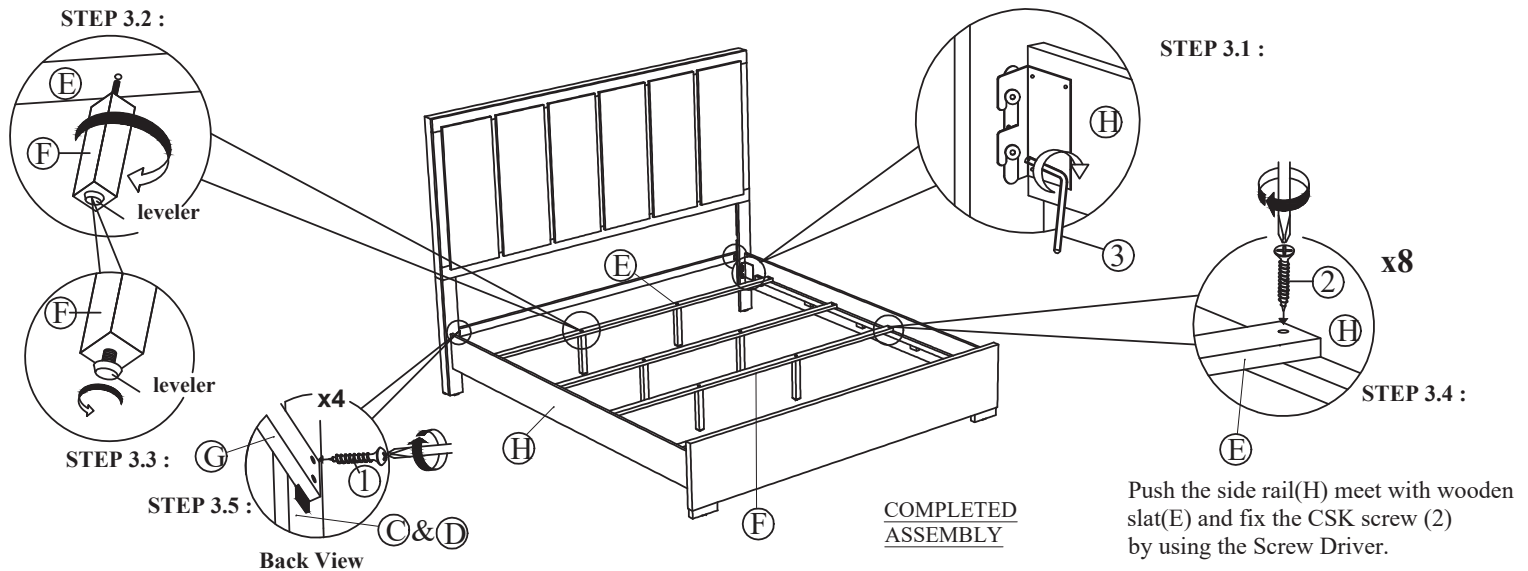
STEP 1 : Attach Head Board Leg (C & D) to Head Board (A) as shown using Pan Head screw (1) by using the Screw Driver (not Included).



STEP 2 : Hook SIDE RAIL (H) TO HEAD BOARD (A) closely and push down to fit. repeat step 2 with other end of rail to hook onto FOOTBOARD (B).



STEP 3 : Tighten the 4 Corner with Allen Key (3). Fix the Bed Slat Support (F), to Bed Slat (E) as shown . Install the bed slat (E) to side rail (H) and tighten with Csk Screw (2) as per diagram shown. (NOTE: THE SETUP MUST DONE AT THE DECIDED LOCATION FOR THE BED TO OBTAIN PERFECT STABILITY)



NOTE : MUST TIGHTEN SCREWS PERIODCALLY WITH USE SCREW WILL BECOME LOOSE CHECK TIGHTNESS OF ALL SCREW EVERY 6-8 WEEKS.