







# ASSEMBLY INSTRUCTIONS

MODEL: B9100-1 SAWYER DRESSER

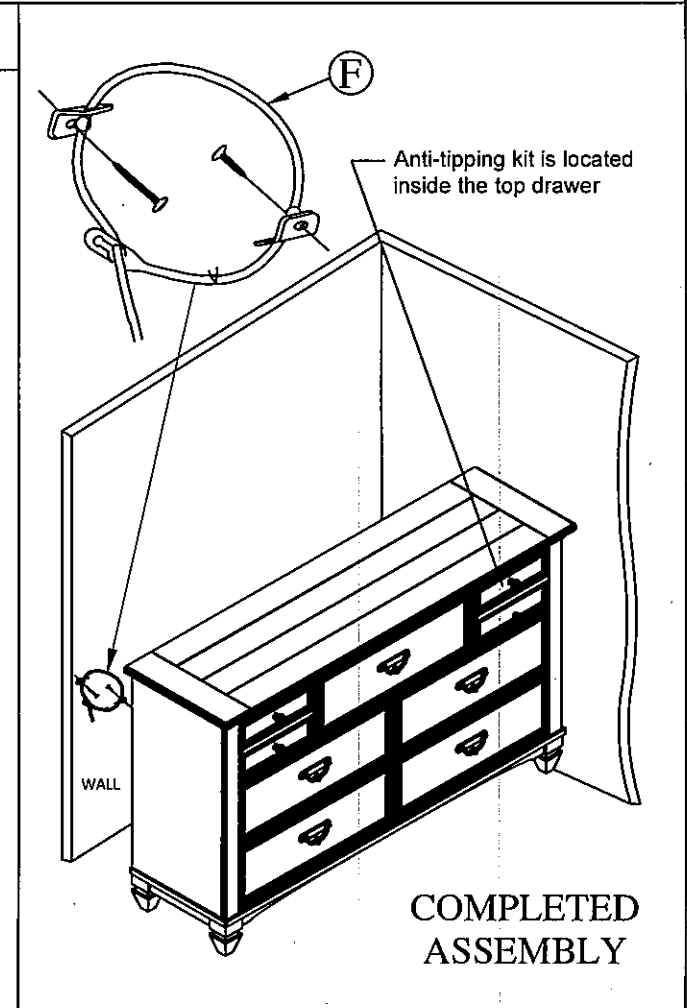
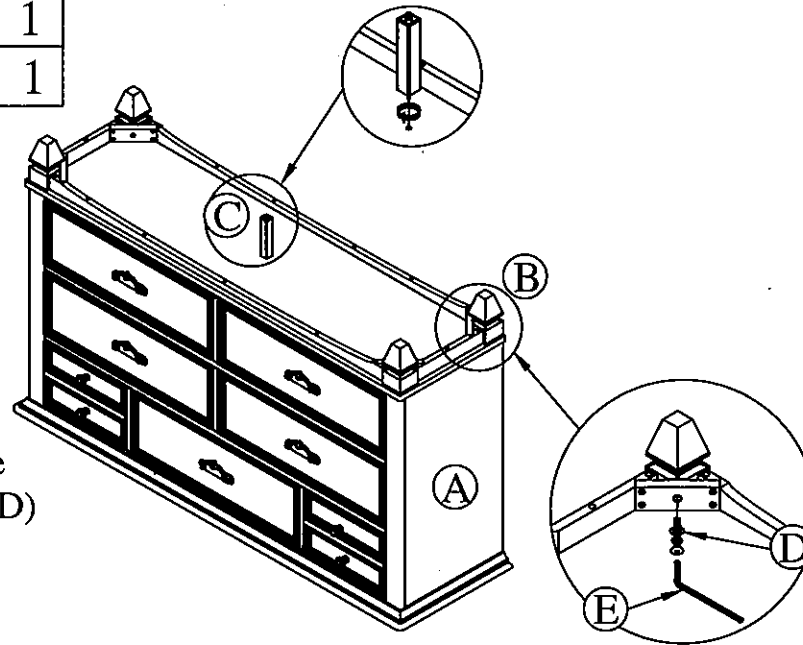
Thank you for purchasing this quality product. Be sure to check all packing material carefully for small parts which may have come loose inside the carton during shipment. Identify and count all parts and compare with hardware list as below:

## STEP 1

(BOX 1) BOX OF DRESSER			
ITEM	DRAWING	DESCRIPTION	QTY
A		DRESSER	1
B		BOTTOM LEG	4
C		SUPPORT LEG	1

(BOX 1) BOX OF DRESSER (HARDWARE LIST)				
ITEM	DRAWING	DESCRIPTION	DIMENSION	QTY
D		JCBB (M8) WITH WASHER	8 x P1.0 x 50MM	4
E		ALLEN KEY M5	5 x 35 x 55MM	1
F		TIPPING RESTRAINT	—	1

Step 1 : Attach and tighten the DRESSER bottom leg (B) to the bottom frame and insert JCBB (D) With Washer (E) as shown.



NOTE: PERIODICALLY CHECK TO ENSURE THAT ALL CONNECTORS (BOLTS, SCREWS, ETC) ARE TIGHT.

CLEANING INSTRUCTION

After assembled, clean & polish the complete parts if necessary with soft cloth and industrial recognized furniture polish.

THE ANTI TIPPING HARDWARE IS LOCATED IN THE RIGHT SIDE FRONT DRAWER OF DRESSER

THE HARDWARE IS LOCATED IN THE PACKING ITEMS

MADE IN MALAYSIA


# ASSEMBLY INSTRUCTIONS

MODEL: B9100-1 SAWYER DRESSER & B9100-11 SAWYER DRESSER TOP



Thank you for purchasing this quality product. Be sure to check all packing material carefully for small parts which may have come loose inside the carton during shipment. Identify and count all parts and compare with hardware list as below:

## STEP 1



### (BOX 1) BOX OF DRESSER

ITEM	DRAWING	DESCRIPTION	QTY
A		DRESSER	1

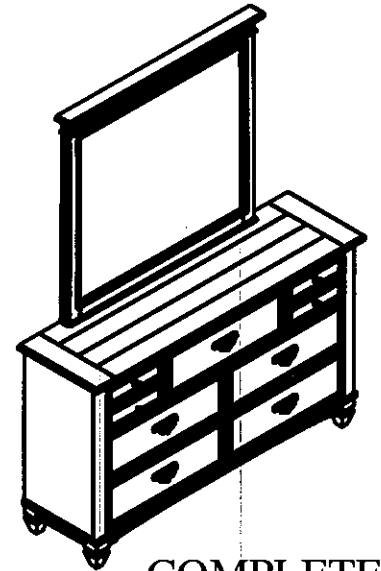
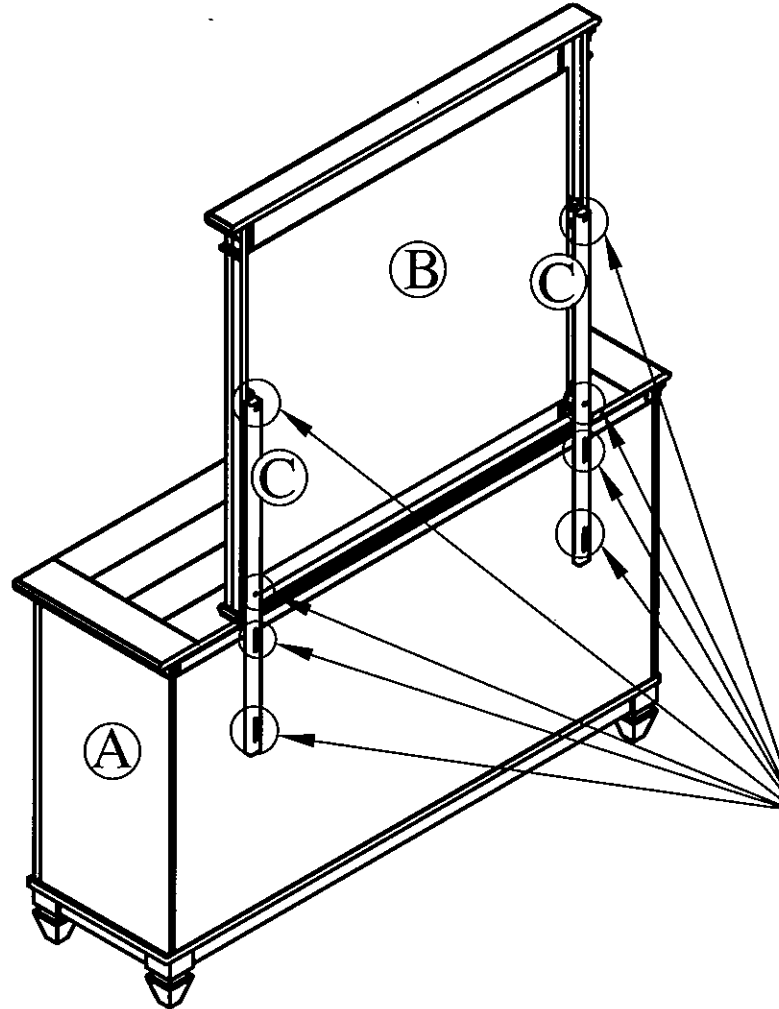
### (BOX 2) BOX OF MIRROR

ITEM	DRAWING	DESCRIPTION	QTY
B		MIRROR	1
C		MIRROR SUPPORT (L & R)	2

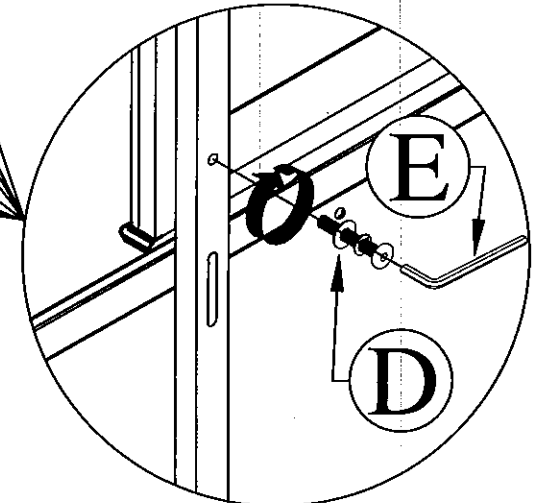
### (BOX 2) BOX OF MIRROR (HARDWARE LIST)

ITEM	DRAWING	DESCRIPTION	DIMENSION	QTY
D		JCBC (M6) WITH WASHER	6 x P1.0 x 35MM	8
E		ALLEN KEY M4	4 x 35 x 65MM	1

Step 1 : Attach and tighten the Mirror Support (C) to the Dresser (A) and Mirror frame (B) at back, insert JCBC (M6) With Washer (D) as shown.



COMPLETED ASSEMBLY



NOTE: PERIODICALLY CHECK TO ENSURE THAT ALL CONNECTORS (BOLTS, SCREWS, ETC) ARE TIGHT.

#### CLEANING INSTRUCTION

After assembled, clean & polish the complete parts if necessary with soft cloth and industrial recognized furniture polish.

THE HARDWARE IS LOCATED IN THE PACKING ITEMS

MADE IN MALAYSIA