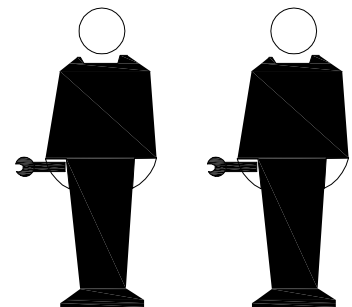
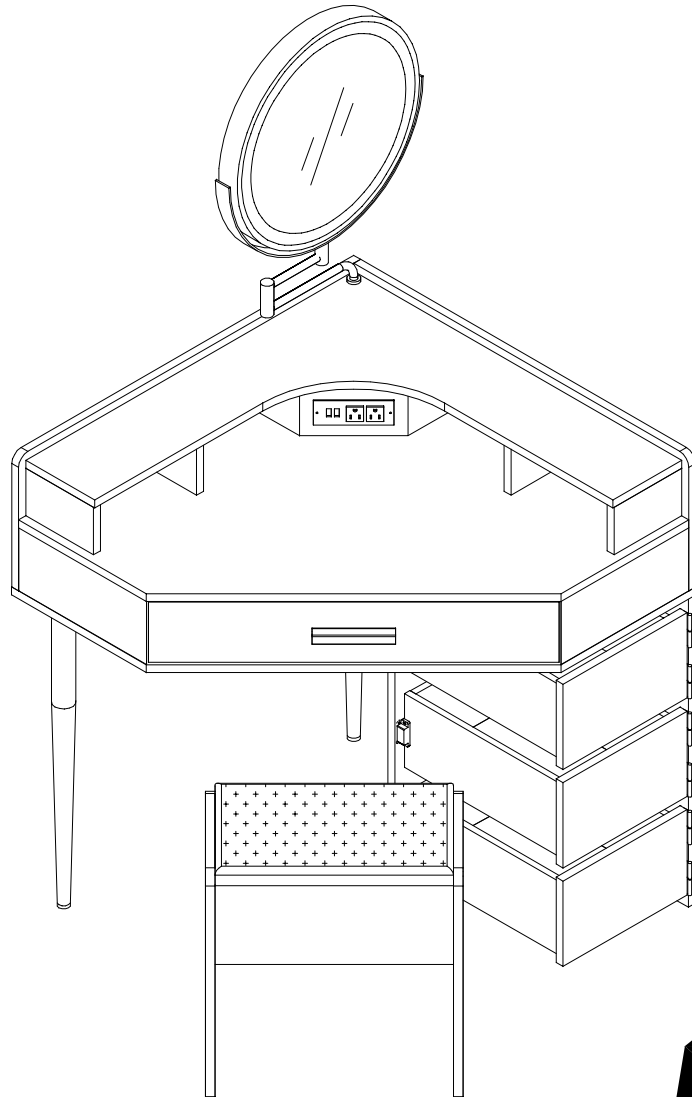


ASSEMBLY INSTRUCTION

MODEL#WE007-8

Thank you for purchasing the quality product. Be sure to check all packing material carefully for small parts may have come loose inside the carton during shipment. Separate, identify and count all parts and metal hardware. Compare with all parts list to be sure all parts are present. If any part(s) are missing or damaged, please contact your local furniture dealer. For efficient and speedy service, please indicate the model number and code letter of part(s) needed.

*****Do not fully tighten screws until fully assembled*****

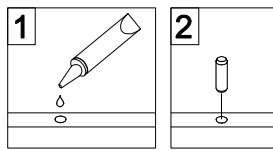


Attention:

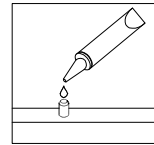
*****Some number parts listed on the instruction sheet may not be in parts bag as they may already be assembled. Carefully check parts and packing materials prior to ordering replacements.**

General Assembly Guidelines

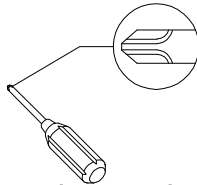
- I. Ensure that all parts and hardware are available before beginning assembly.
- II. Follow each step carefully to ensure the proper assembly of this product.
- III. Two people are recommended for ease in the assembly of this product.
- IV. The three main types of hardware used to assemble this product are: wood dowels, screws and bolts.
- V. The provided glue is to secure wood dowels in place. When first inserting dowels, locate the appropriate hole for the dowel, place a small amount of glue in the hole and insert the dowel. Wipe away excess glue immediately.



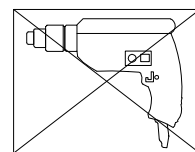
In following assembly steps when dowels are necessary to attach assembly parts together, place a small amount of glue on the end of the dowel before attaching parts together. Wipe away excess glue immediately.



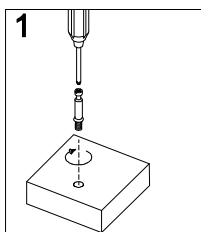
- VI. A Phillips head screwdriver is required for the assembly of this product.



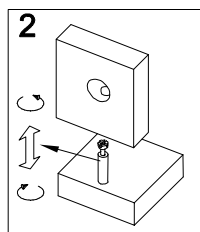
- VII. Power tools should not be used to assemble this product.



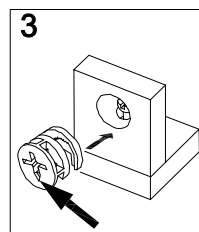
- VIII. Cam bolt and Cam lock Assembly instruction.



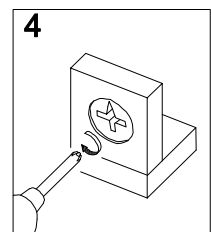
1
Cam bolt
vertical installation.



2
Cam bolt is
adjustable

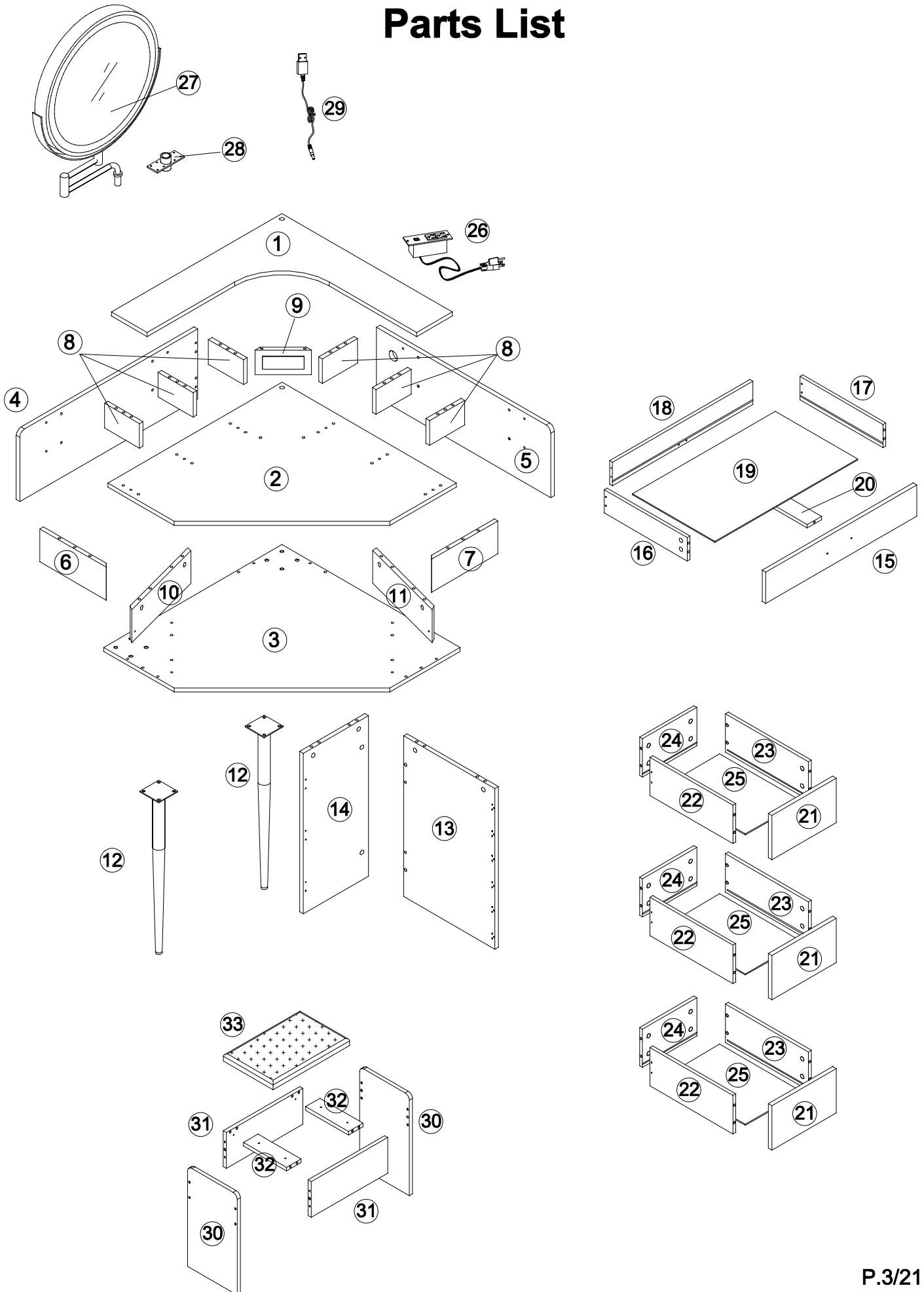


3
Cam lock
the arrow is towards
the Cam bolt









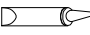

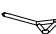





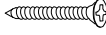









4
180°
Ensure locking

Parts List



Hardware List

A		Ø8x30mm	Wooden dowel	72 pcs
B		Ø6x35mm	Cam bolt	49 pcs
C		Ø15x12mm	Cam lock	49 pcs
D			Sticker	51 pcs
E		Ø6x50mm	Screw	38 pcs
F		4mm	Allen Key	1 pcs
G		Ø3.5x14mm	Screw	26 pcs
H			Handle	1 pcs
I			Glue tube	1 pcs
J		M6x12mm	Bolt	8 pcs
K			Philips head screwdriver	1 pcs
L			Door stopper	3 pcs
M			Metal piece	3 pcs
N			Hinge	6 pcs
O		Ø3x14mm	Screw	42 pcs
P		Ø3x18mm	Screw	6 pcs
Q		Ø4X30mm	Screw	10 pcs
R			Drawer slider	1 pcs
S			Drawer slider	1 pcs
T			Drawer slider	1 pcs
U			Drawer slider	1 pcs
V		Ø4x18mm	Screw	2 pcs
W			Corner code	4 pcs
Y				1 pcs

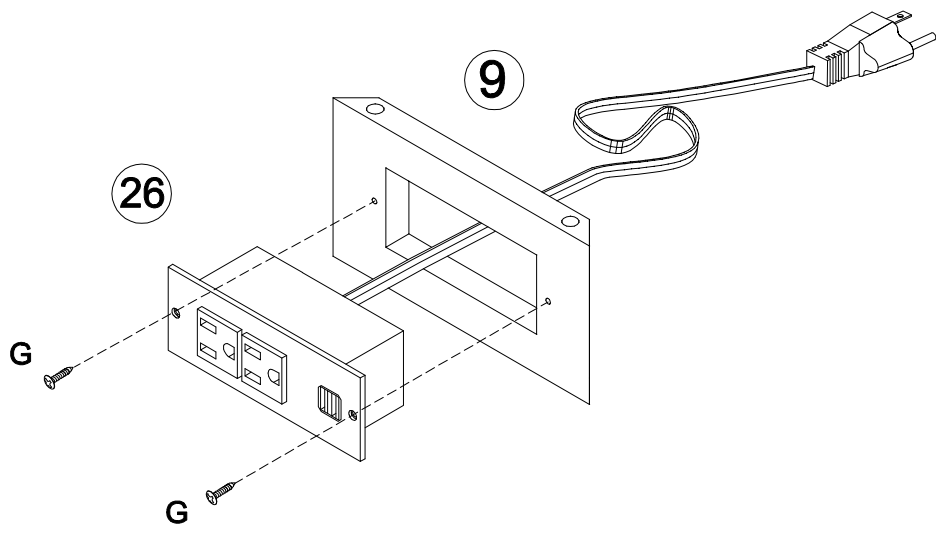
*The hardware quantities listed above are required for proper assembly.
Some extra hardware may also have been included.*

Step 1


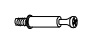


G x 2

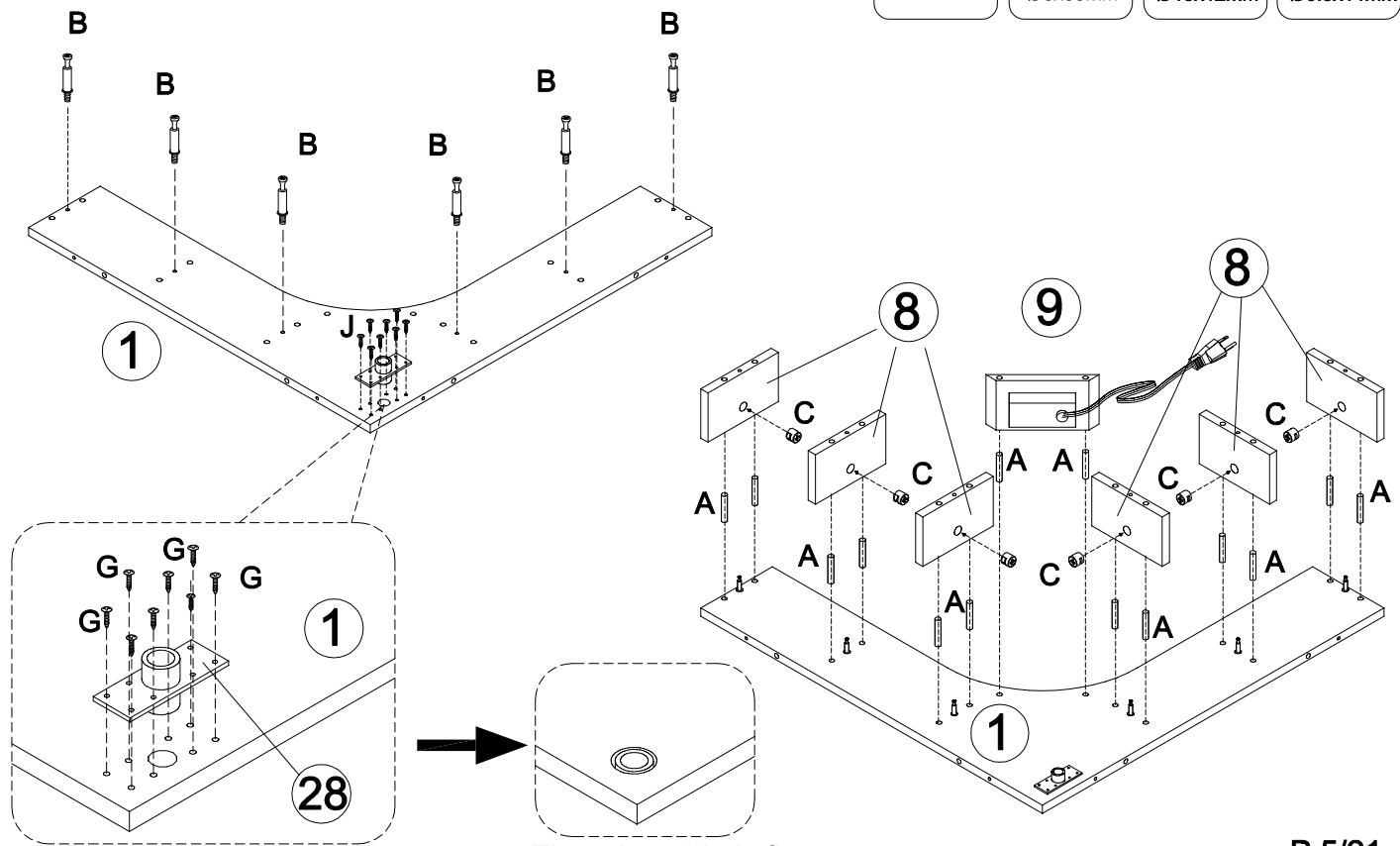


Ø3.5x14mm







Step 2

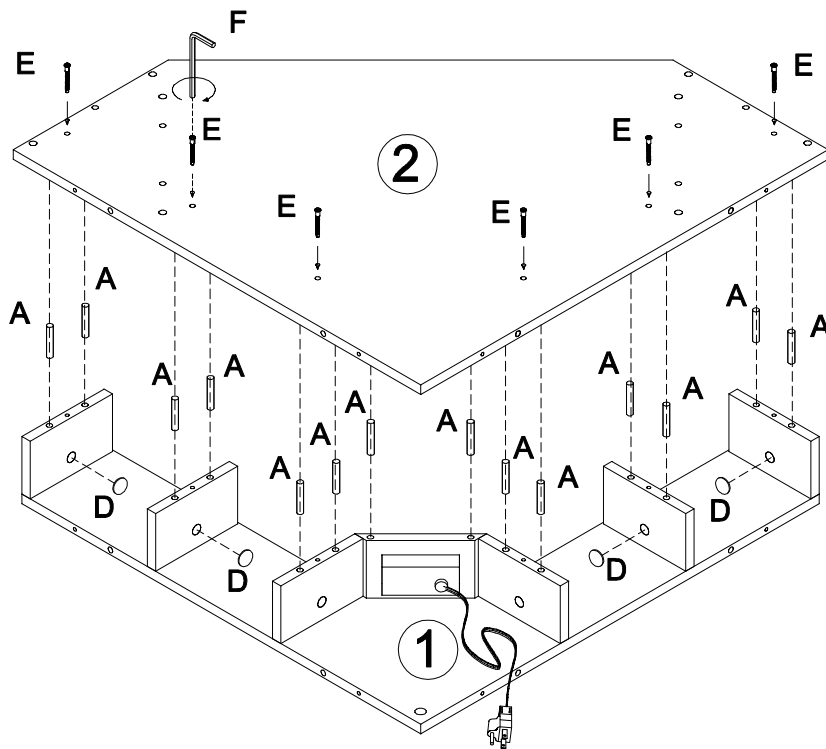
A x 14	B x 6	C x 6	G x 8
			
Ø8x30mm	Ø6x35mm	Ø15x12mm	Ø3.5x14mm




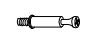

The other side is flat

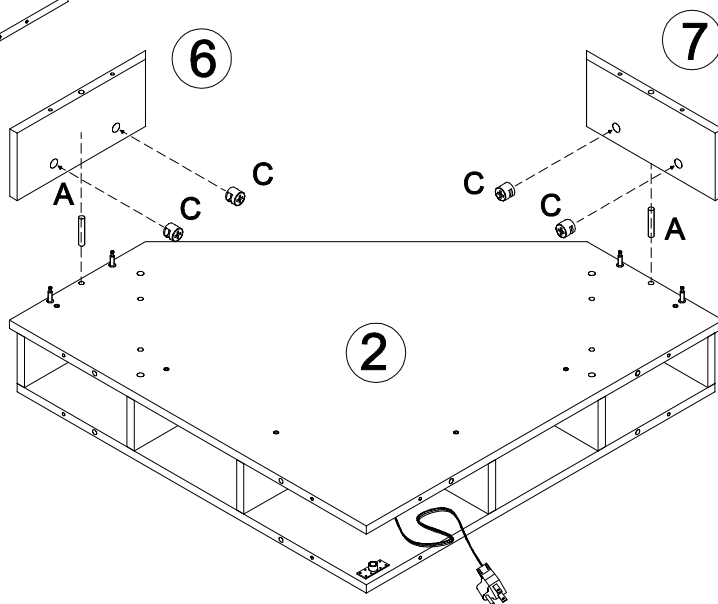
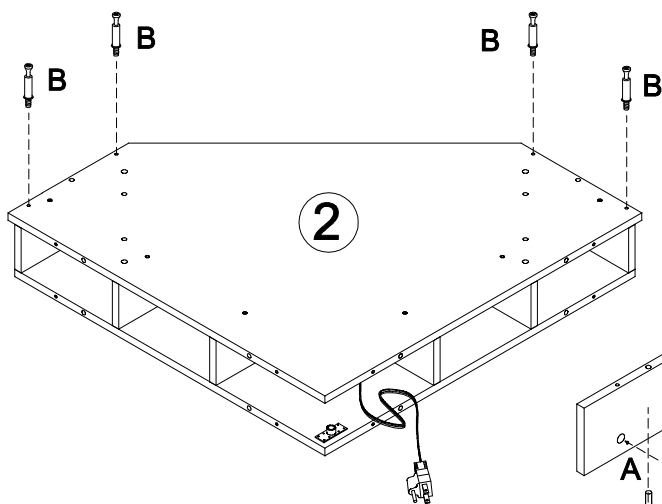
Step 3

A x 14  Ø8x30mm	D x 4 	E x 6  Ø6x50mm	F x 1  4mm
--	---	--	--






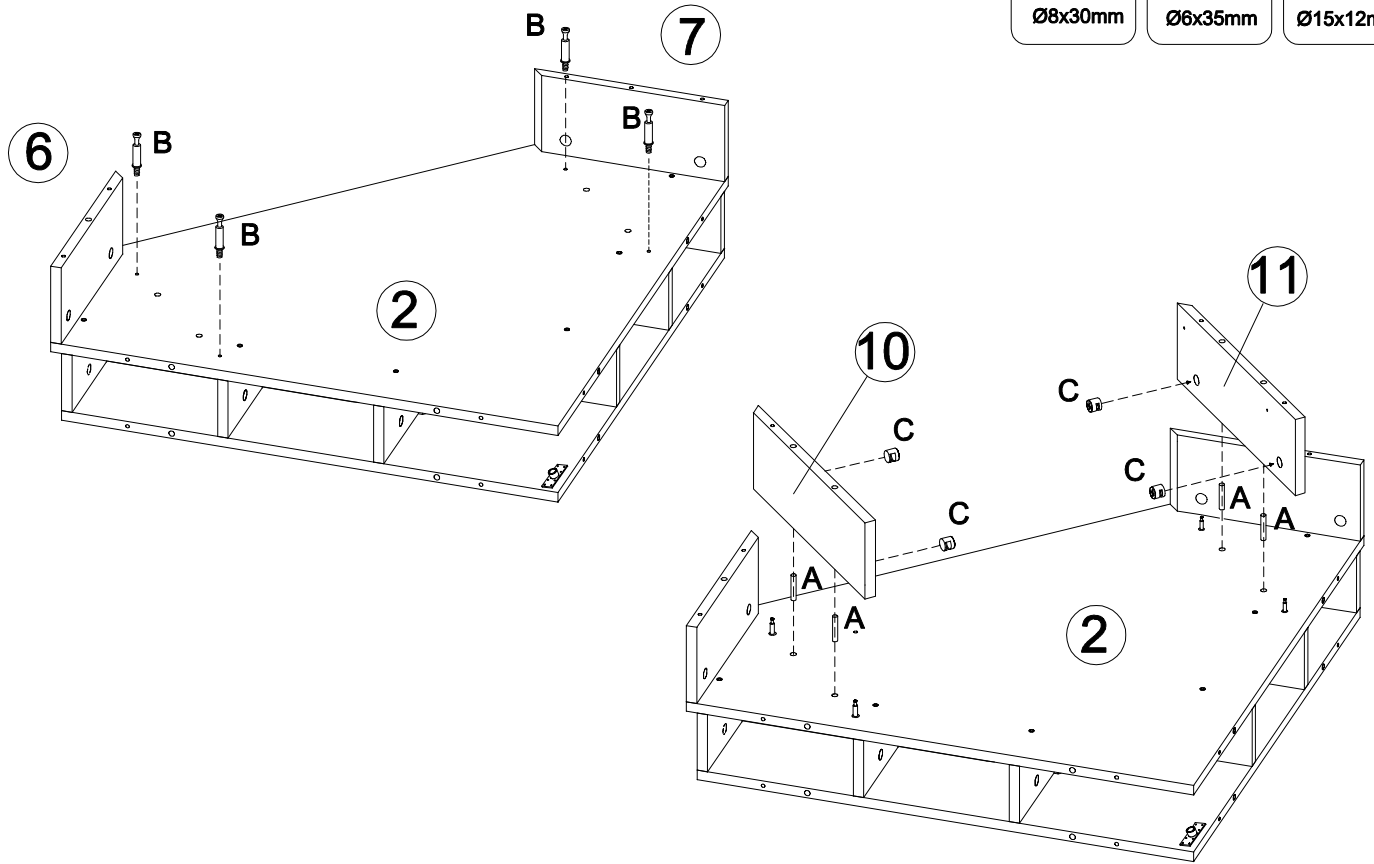
Step 4

A x 2  Ø8x30mm	B x 4  Ø6x35mm	C x 4  Ø15x12mm
--	--	---






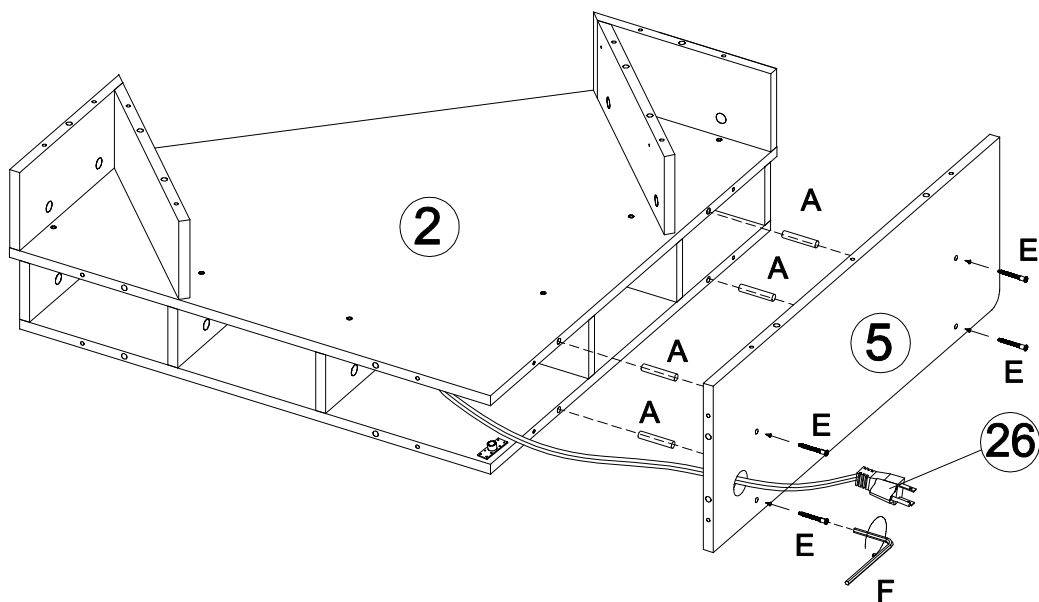
Step 5

A x 4	B x 4	C x 4
		
Ø8x30mm	Ø6x35mm	Ø15x12mm






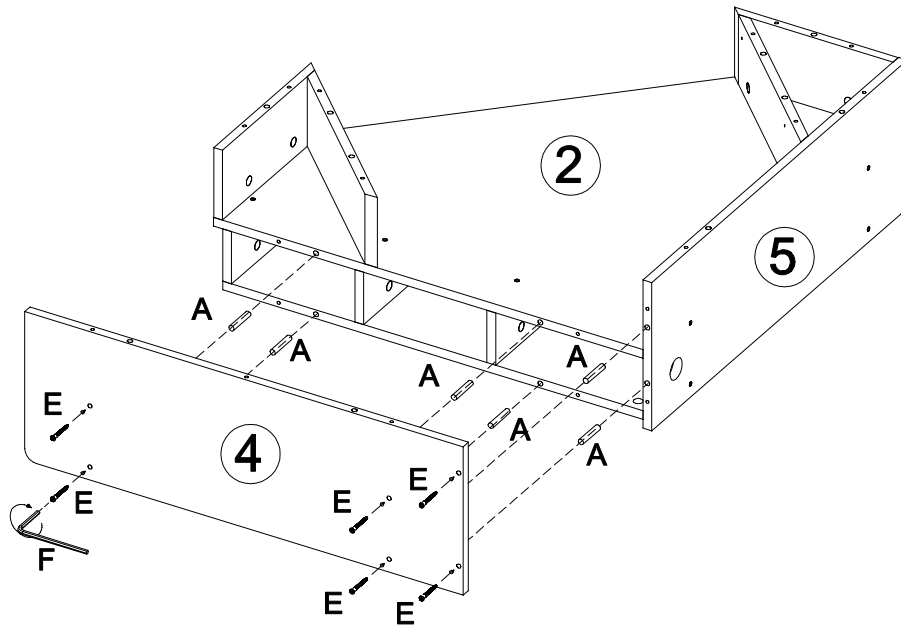
Step 6

A x 4	E x 4	F x 1
		
Ø8x30mm	Ø6x50mm	4mm






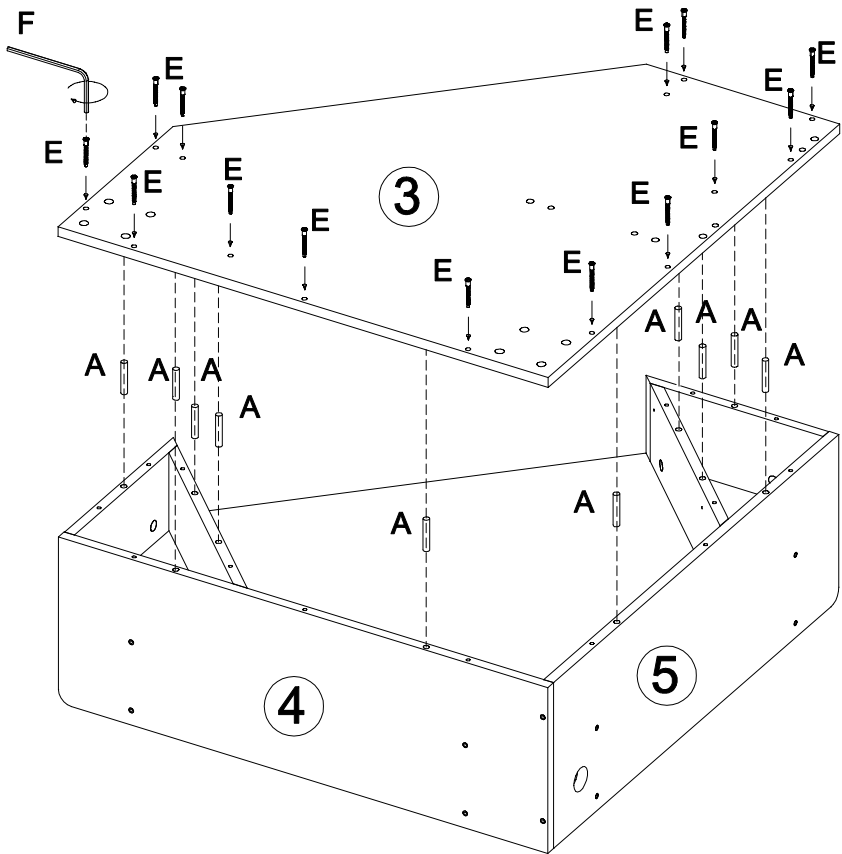
Step 7

A x 6  Ø8x30mm	E x 6  Ø6x50mm	F x 1  4mm
--	--	--



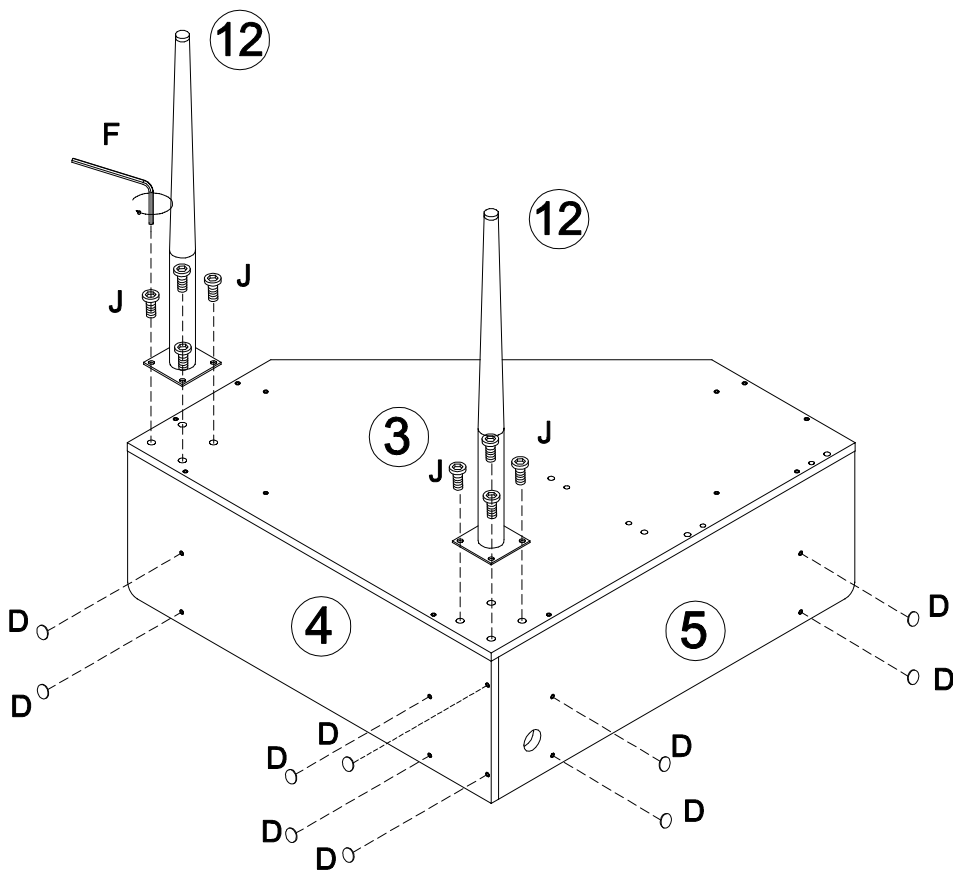
Step 8

A x 10  Ø8x30mm	E x 14  Ø6x50mm	F x 1  4mm
---	---	--



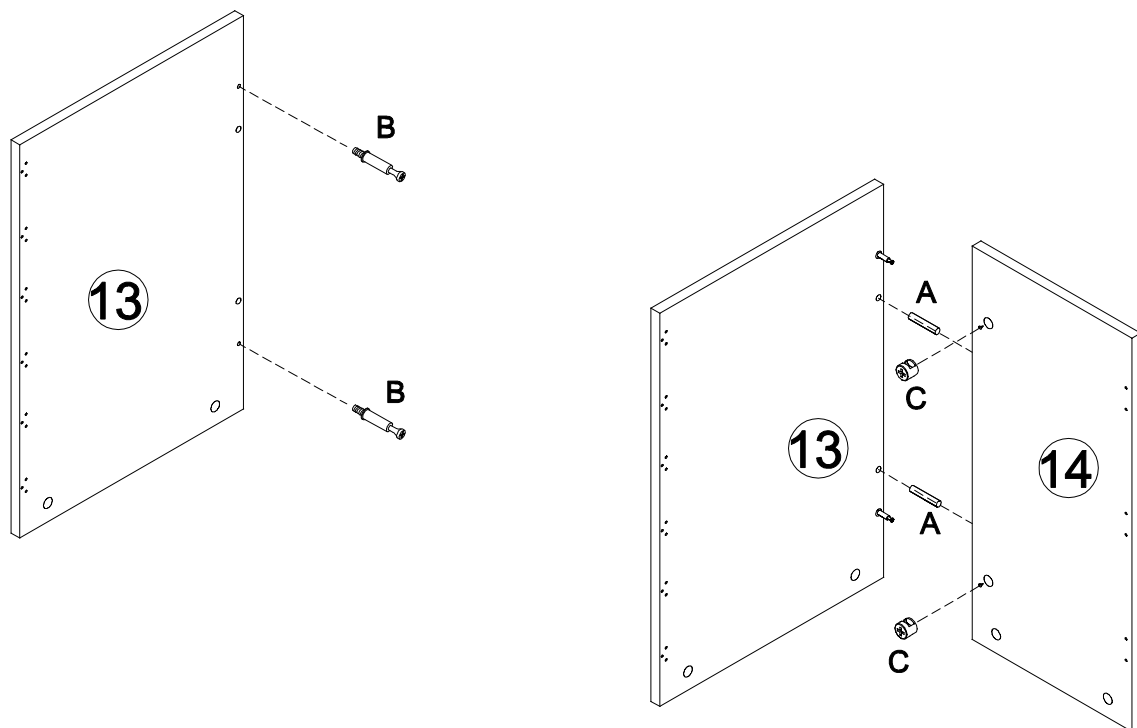
Step 9

D x 10	J x 8	F x 1
	M6x12mm	4mm






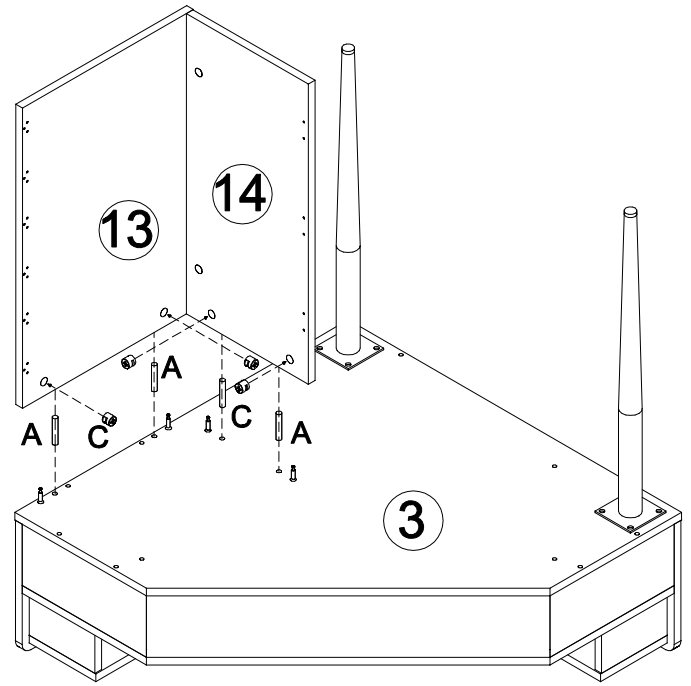
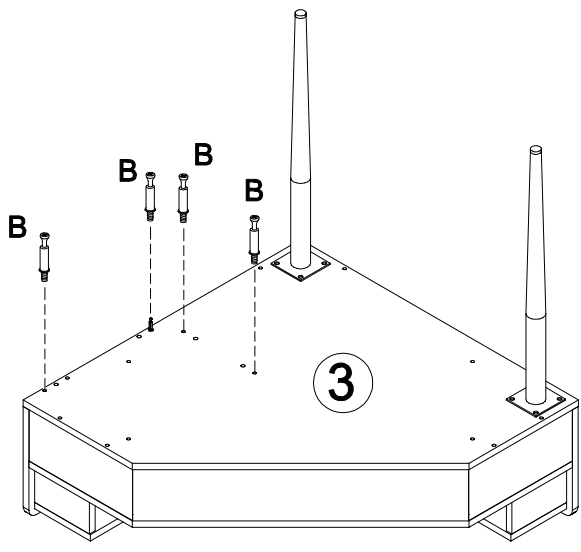
Step 10

A x 2	B x 2	C x 2
Ø8x30mm	Ø6x35mm	Ø15x12mm






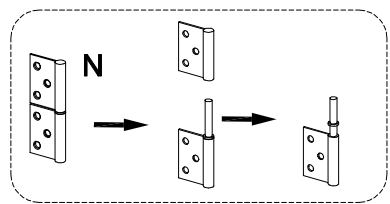
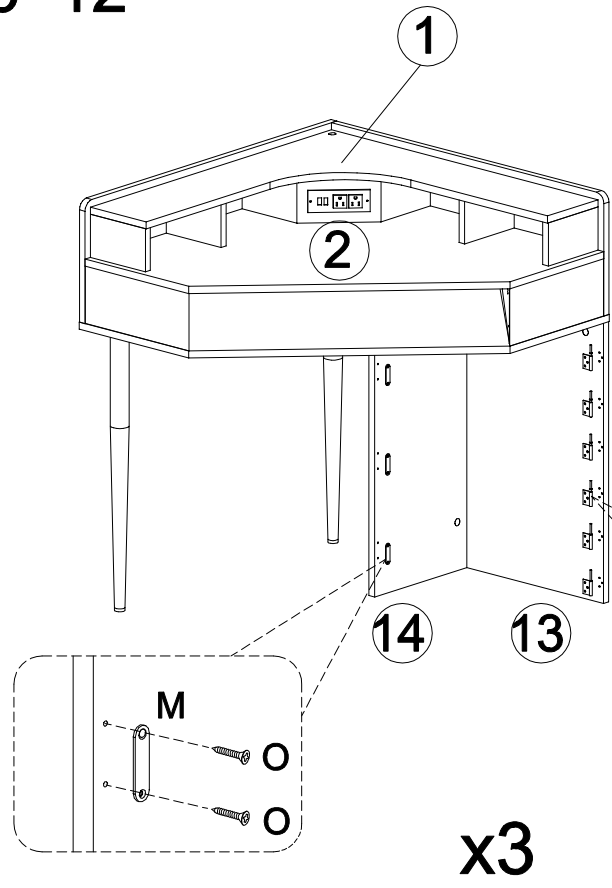
Step 11

A x 4	B x 4	C x 4
		
Ø8x30mm	Ø6x35mm	Ø15x12mm

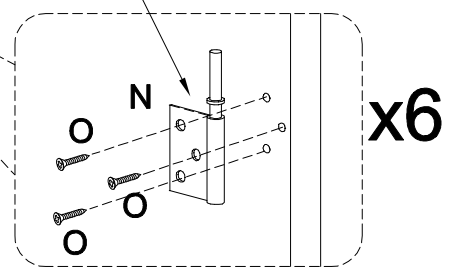


Step 12

M x 3	N x 6	O x 24
		
		Ø3x14mm



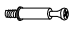
Necessary



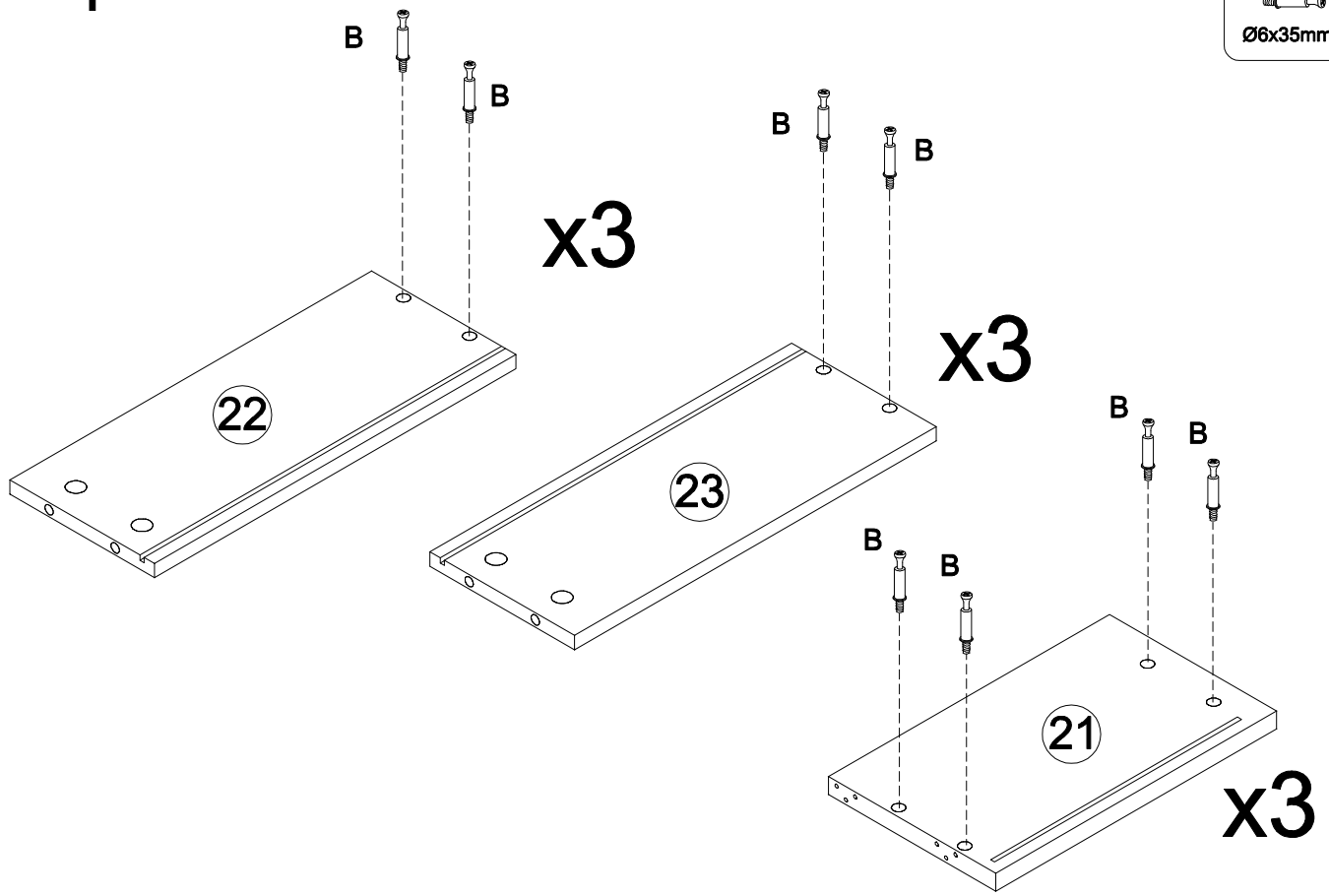
x3

Step 13

B x 24




Ø6x35mm

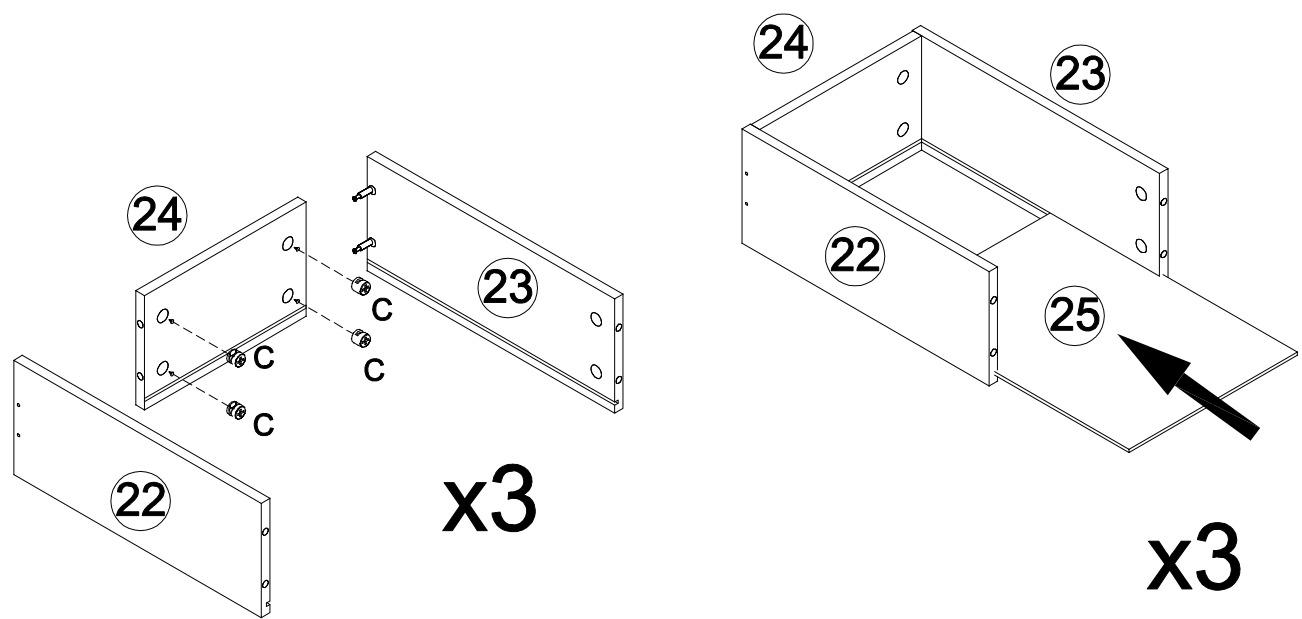


Step 14


C x 12

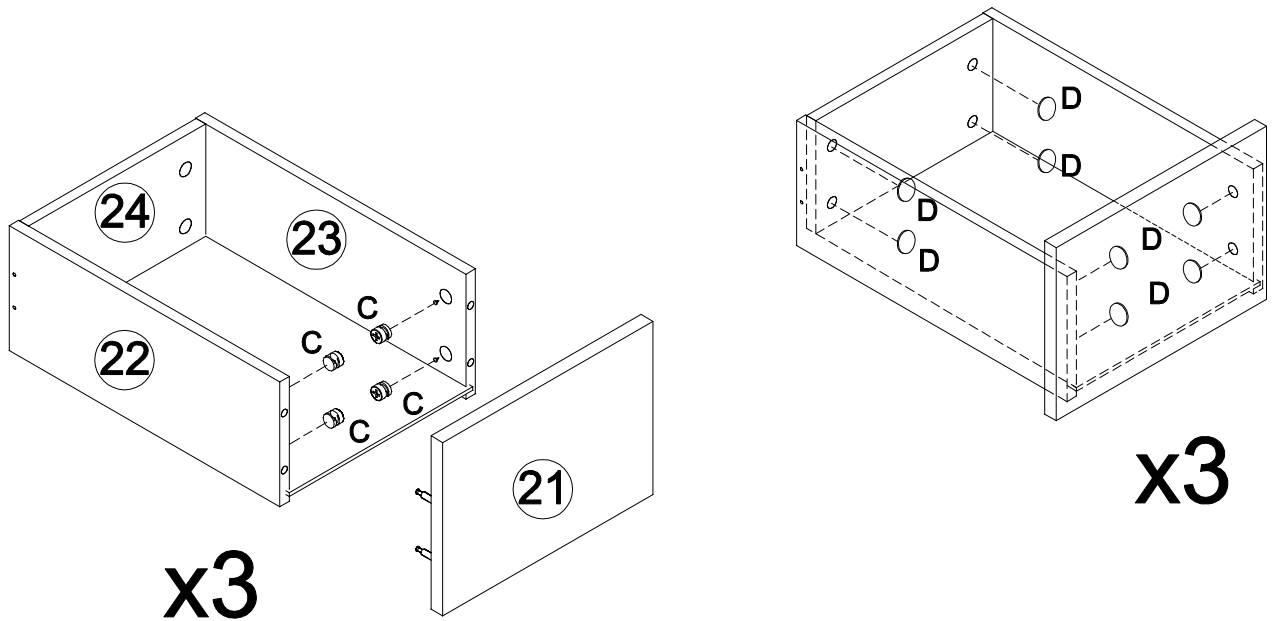


Ø15X12mm





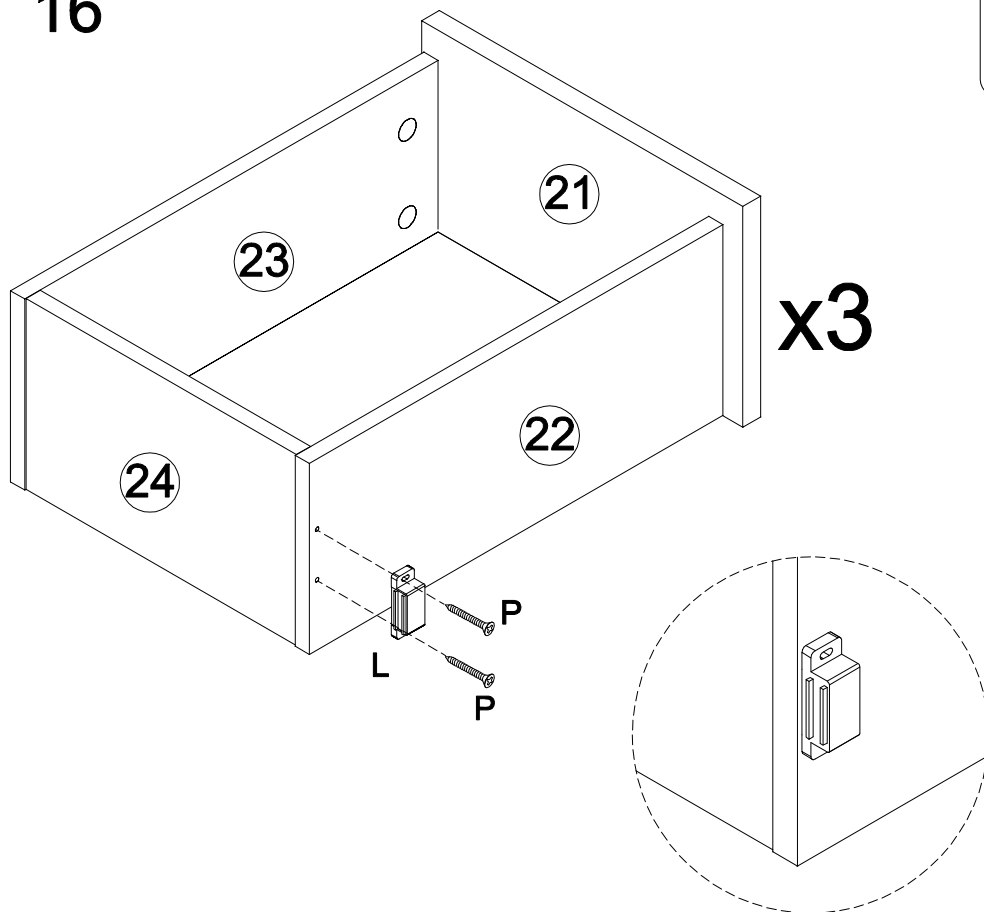
Step 15

D x 24	C x 12
○	 Ø15X12mm





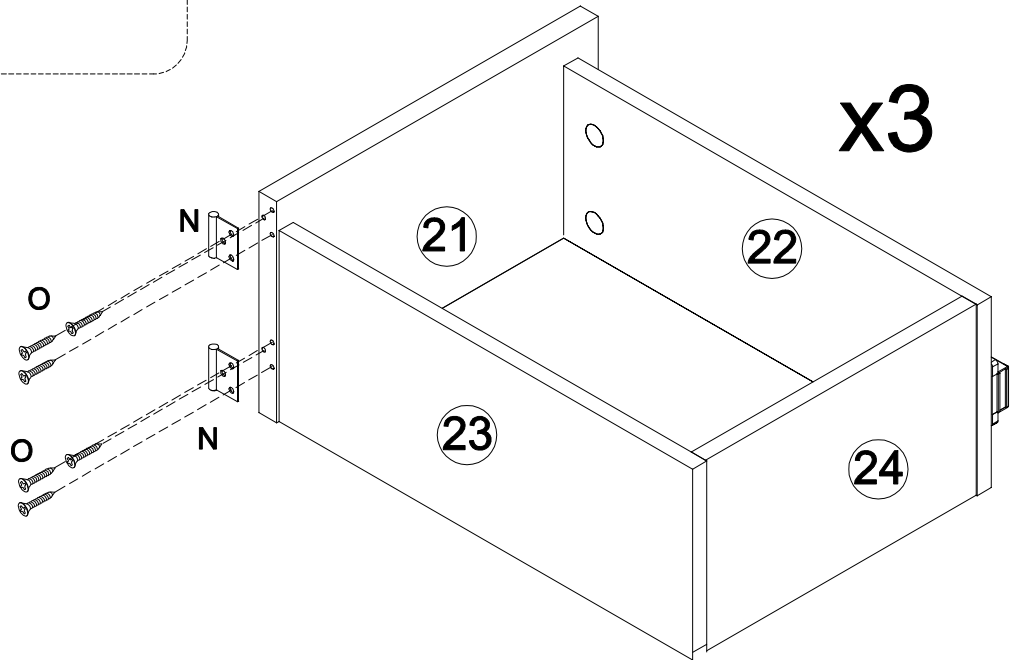
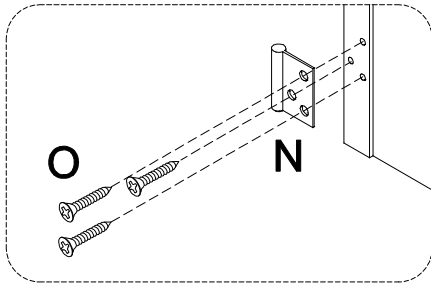
Step 16

L x 3	P x 6
	 Ø3x18mm

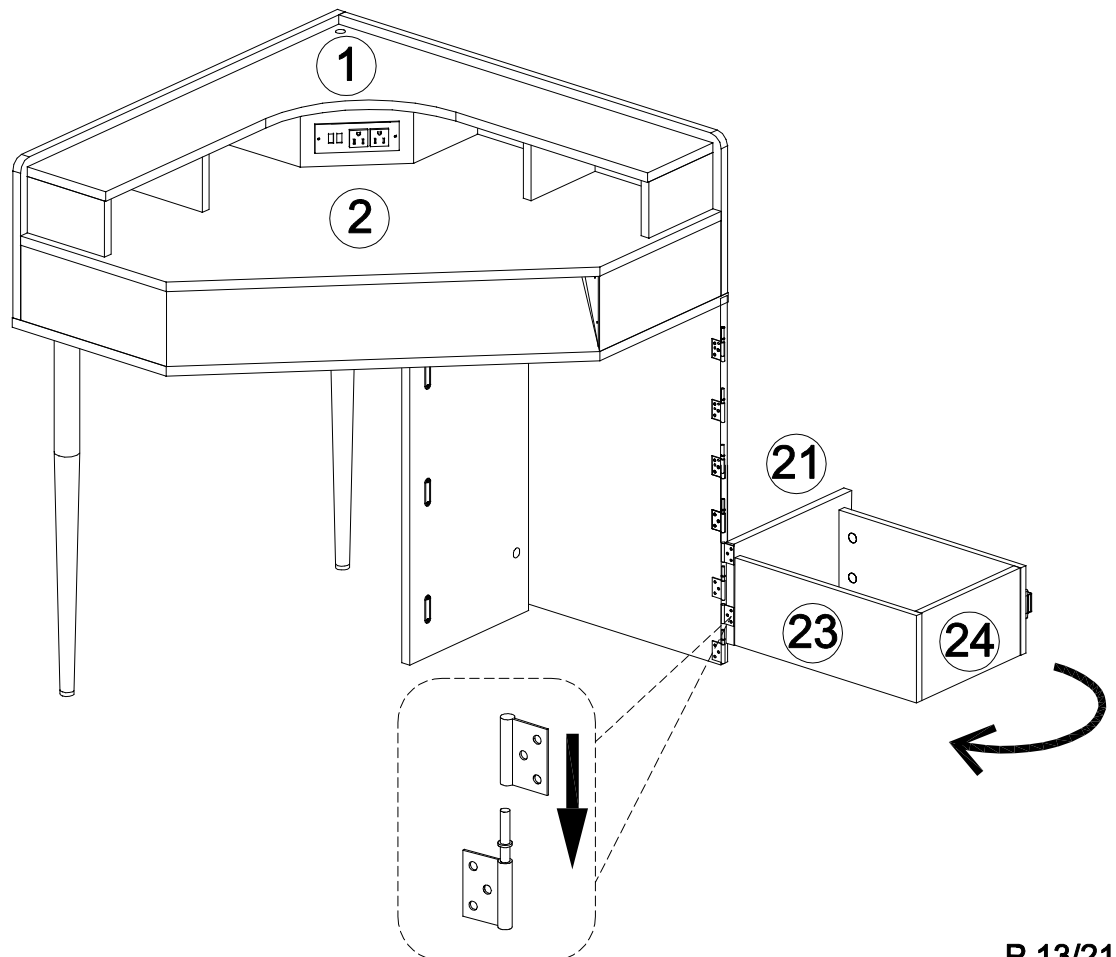


Step 17

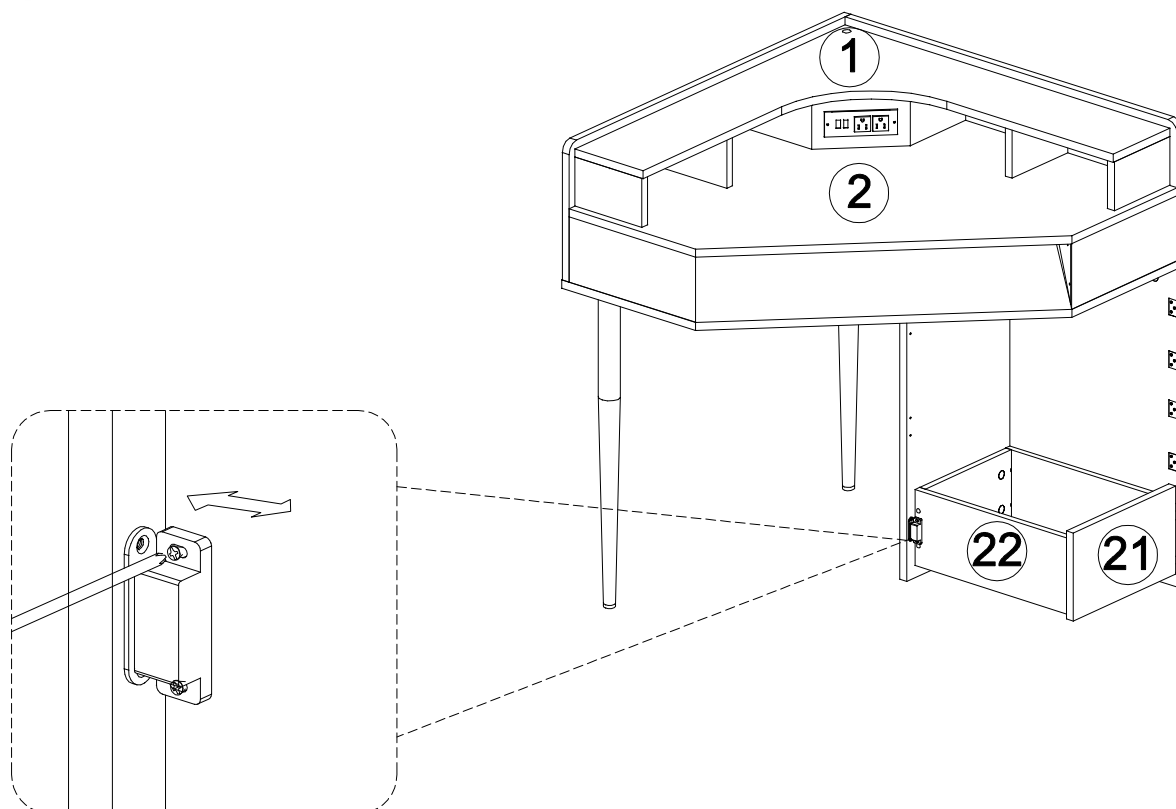
O x 18	N x 6
	
Ø3x14mm	



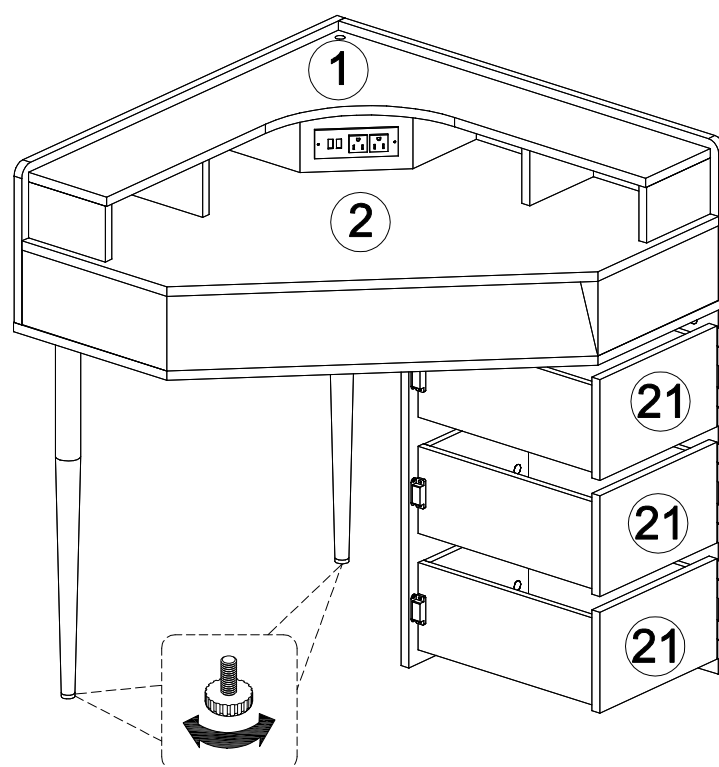
Step 18





Step 19

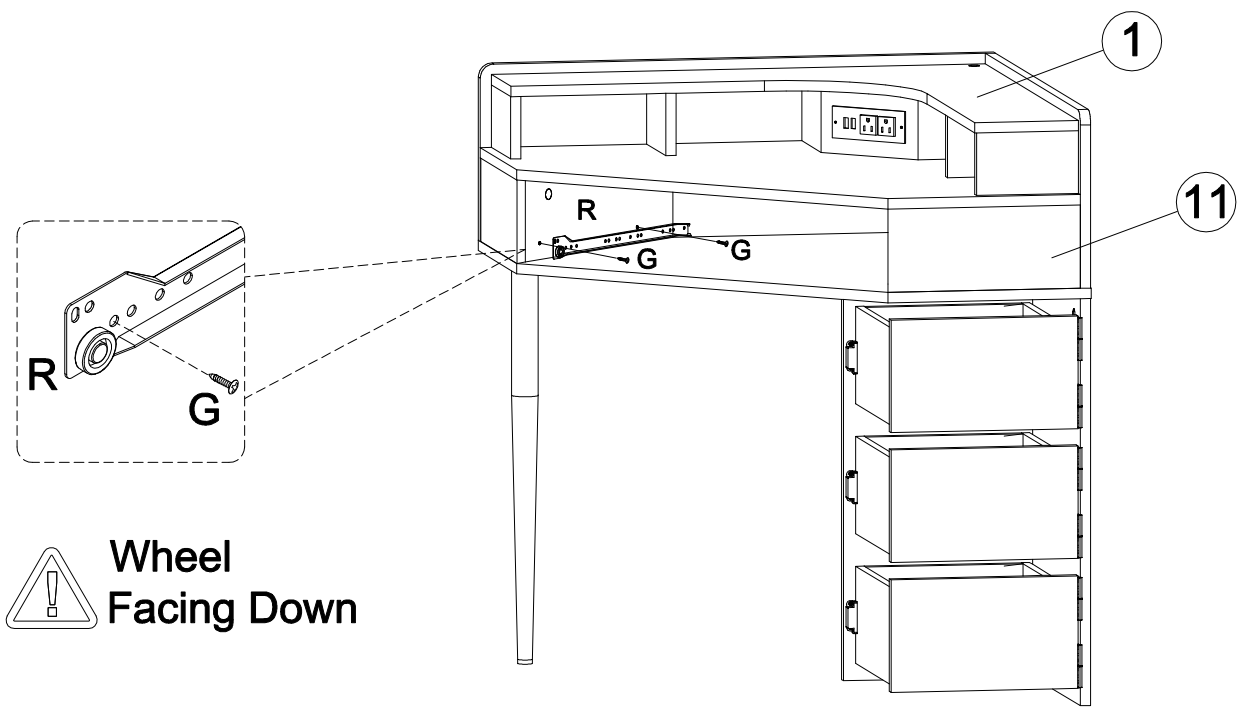


Step 20





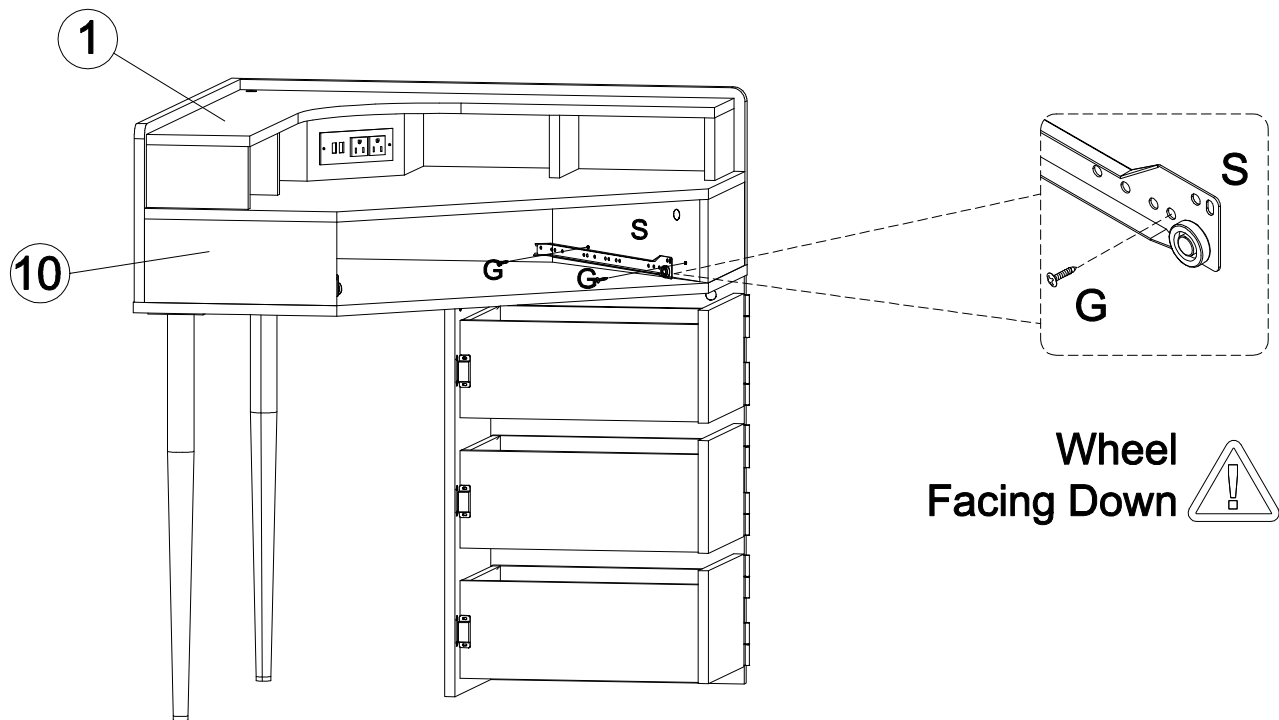
Step 21

R x 1	G x 2
	
	Ø3.5x14mm

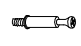


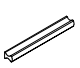



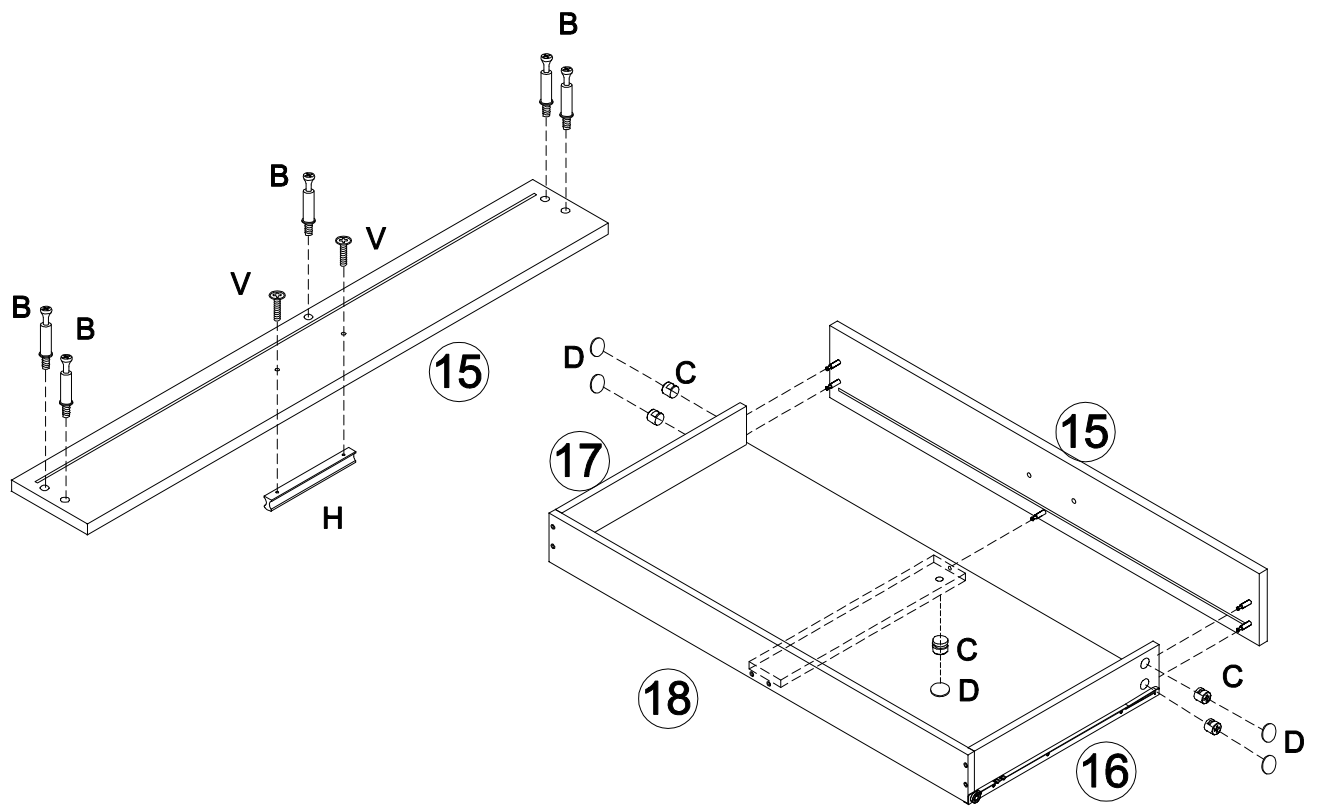
Step 22

S x 1	G x 2
	
	Ø3.5x14mm

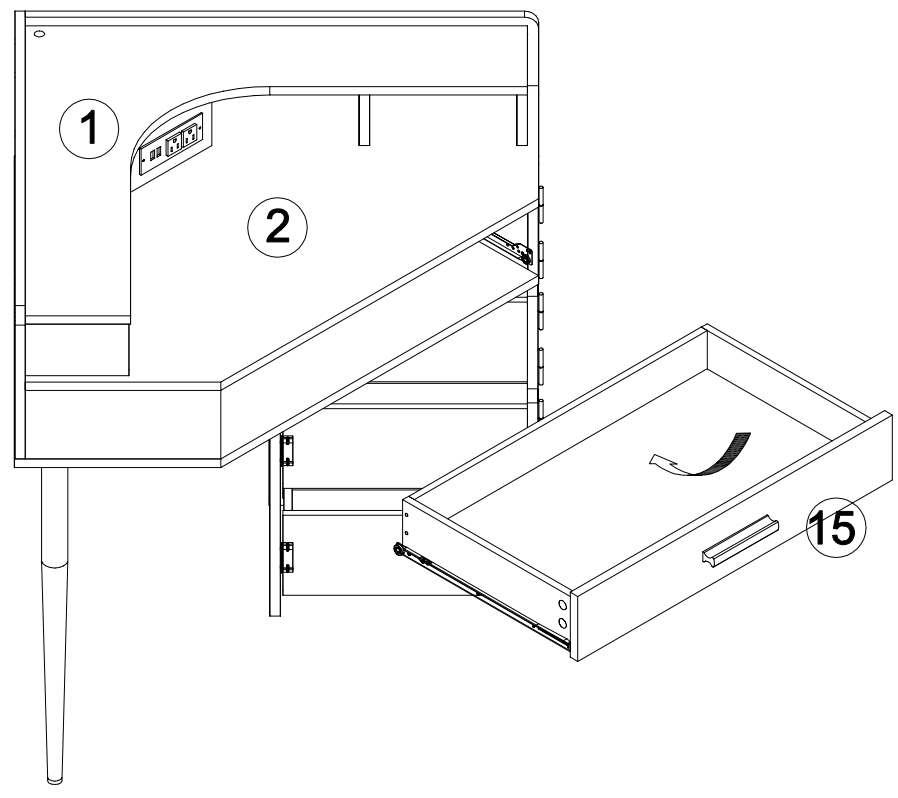


Step 25

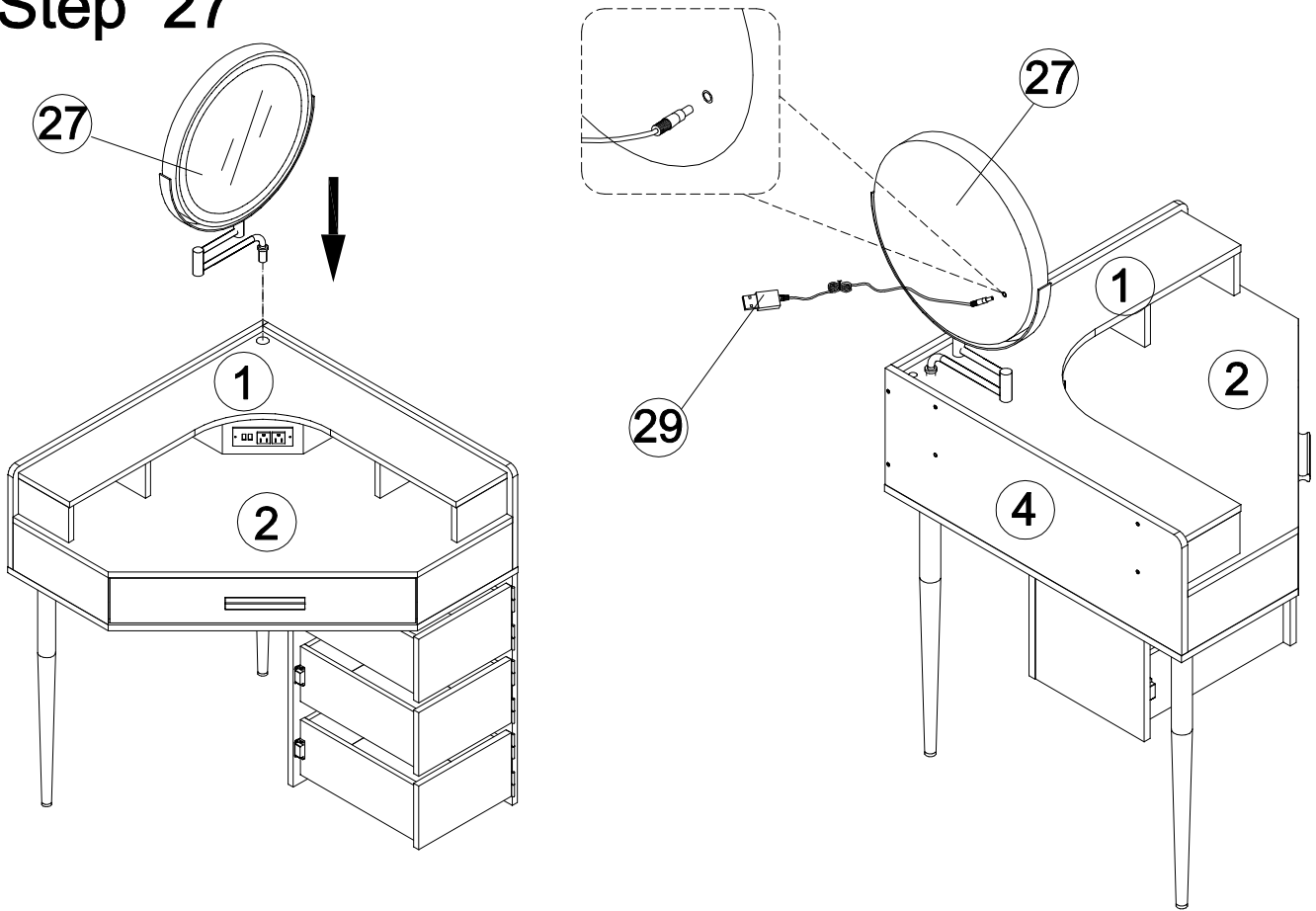
B x 5  Ø6x35mm	C x 5  Ø15X12mm	D x 5 	H x 1 	V x 2  Ø4x18mm
--	---	---	---	--



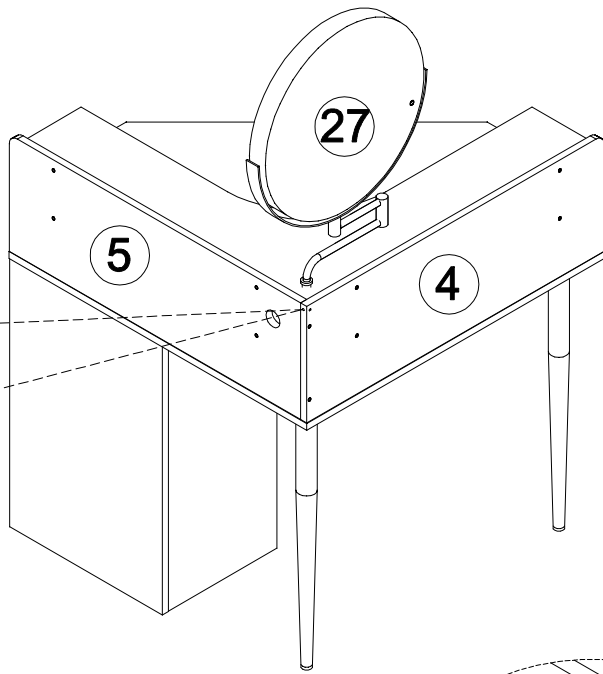
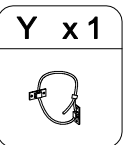
Step 26



Step 27

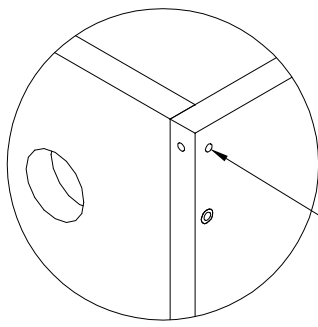


Step 28

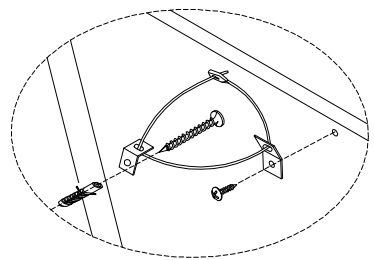


For Assemble
Anti Tipping
hardware

or

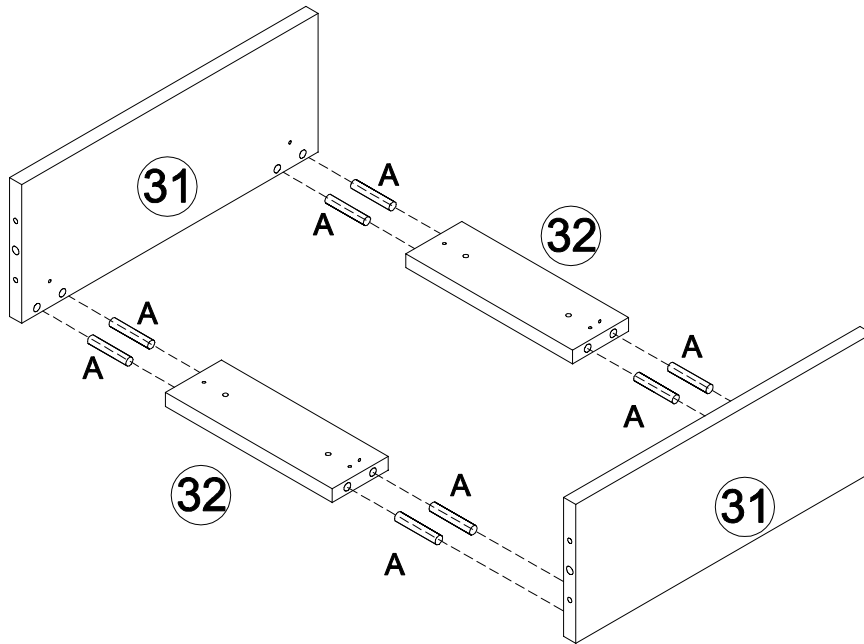


For Assemble
Anti Tipping
hardware



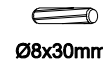
Step 29

A x 8



Step 30

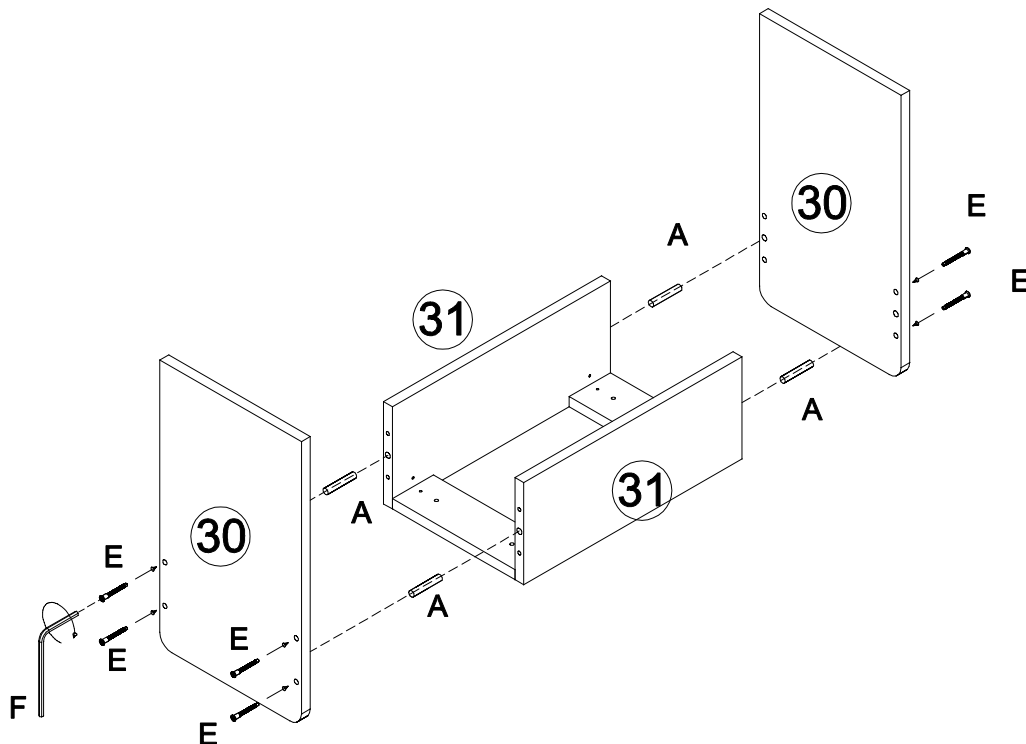
A x 4



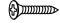

E x 8

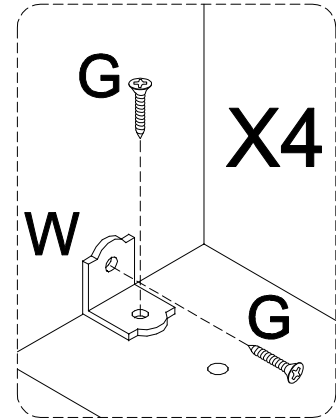
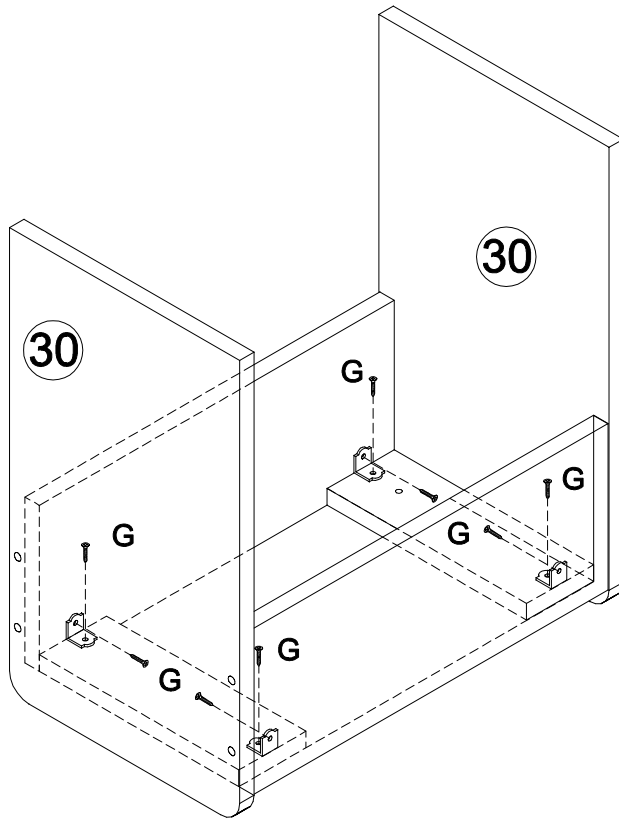


F x 1



Step 31

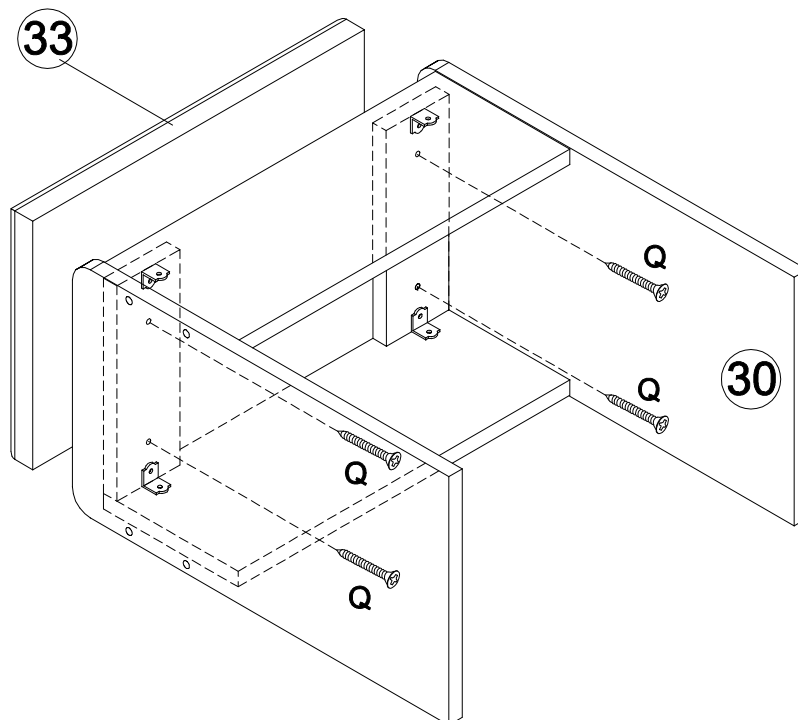
G x 8	W x 4
	
Ø3.5x14mm	



Step 32

Q x 4

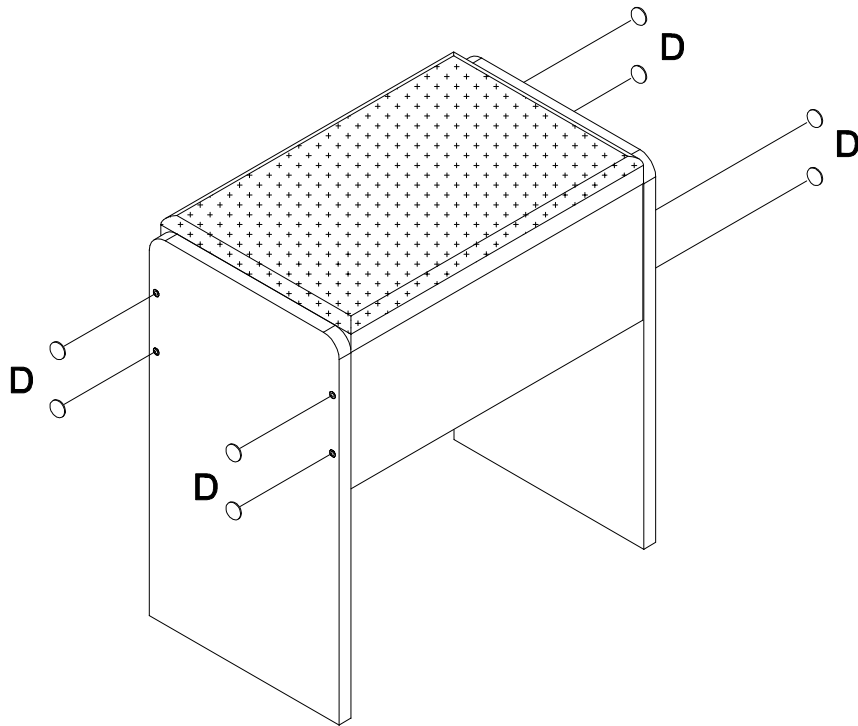
Ø4x30mm



Step 33

D x 8

0



Step 34

