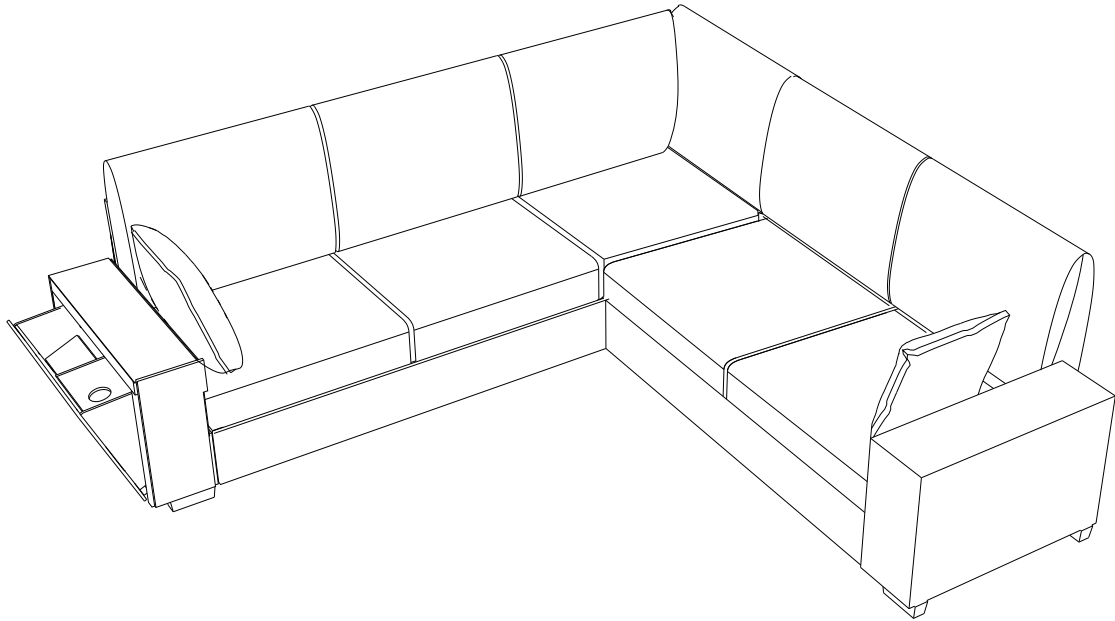
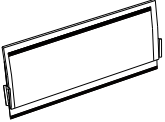
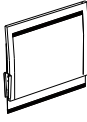
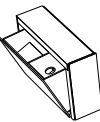
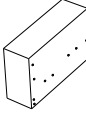
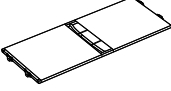
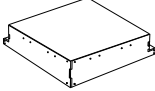
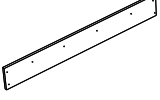
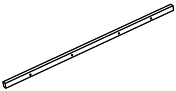

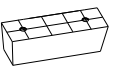

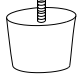
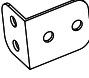

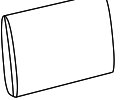
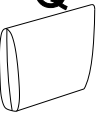
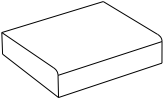
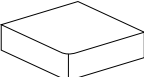

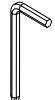






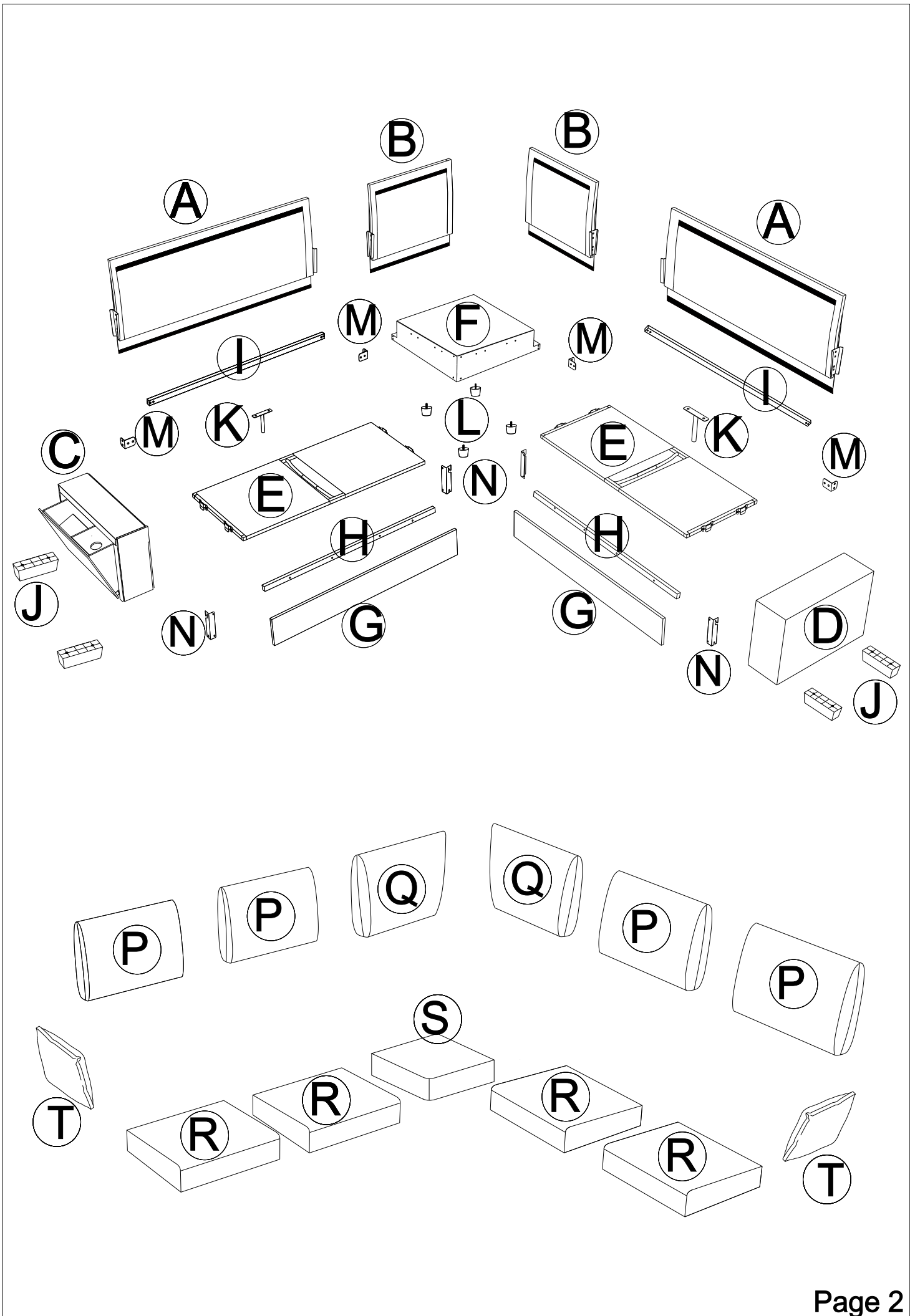



ASSEMBLY INSTRUCTION

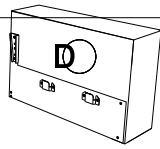


<p>A</p>  <p>2PCS</p>	<p>B</p>  <p>2PCS</p>	<p>C</p>  <p>1PC</p>	<p>D</p>  <p>1PC</p>	<p>E</p>  <p>2PCS</p>
<p>F</p>  <p>1PC</p>	<p>G</p>  <p>2PCS</p>	<p>H</p>  <p>2PCS</p>	<p>I</p>  <p>2PCS</p>	<p>J</p>  <p>4PCS</p>
<p>K</p>  <p>2PCS</p>	<p>L</p>  <p>4PCS</p>	<p>M</p>  <p>4PCS</p>	<p>N</p>  <p>4PCS</p>	<p>P</p>  <p>4PCS</p>
<p>Q</p>  <p>2PCS</p>	<p>R</p>  <p>4PCS</p>	<p>S</p>  <p>1PC</p>	<p>T</p>  <p>2PCS</p>	<p>1</p>  <p>1PC</p>
<p>2 6*20</p>  <p>16PCS</p>	<p>3 6*50</p>  <p>8PCS</p>	<p>4 8*20</p>  <p>20PCS</p>	<p>5 8*40</p>  <p>8PCS</p>	<p>6 8*50</p>  <p>8PCS</p>
<p>7 M8</p>  <p>8PCS</p>				

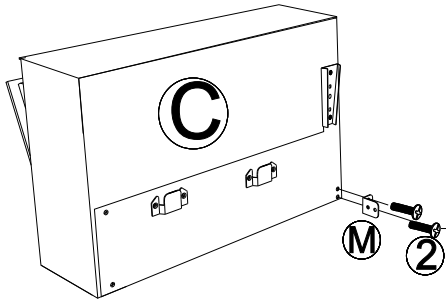
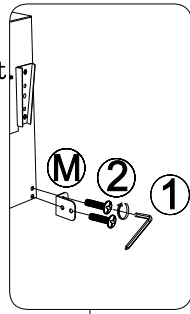


Step 1

2  M6 *20 4pcs

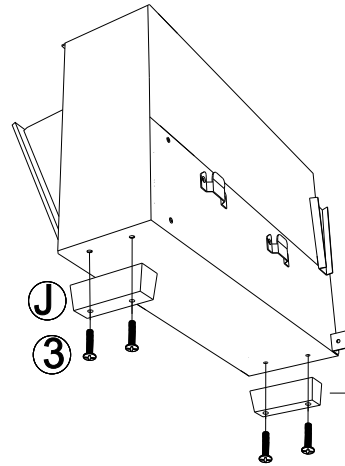
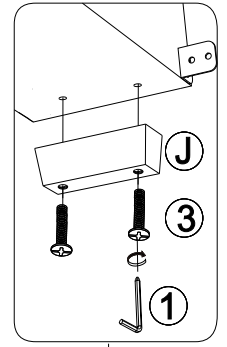


The hardware fitting installation method for the right armrest is identical to that of the left armrest. Installation procedures are hereby omitted.



Step 2

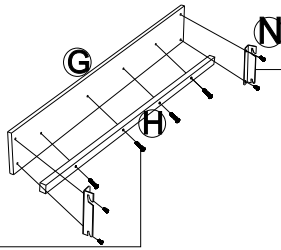
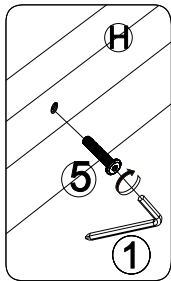
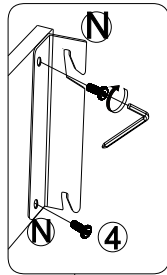
3  M6 *50 8pcs



Step 3

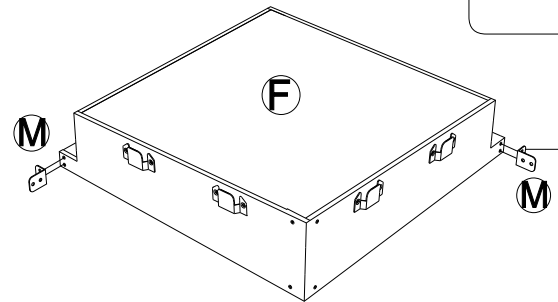
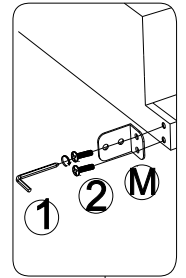
5  M8 *40 8pcs

4  M8 *20 8pcs

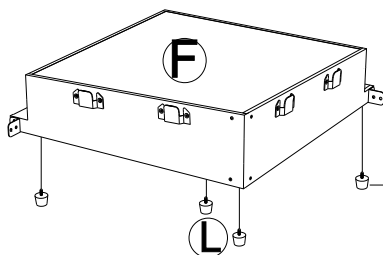
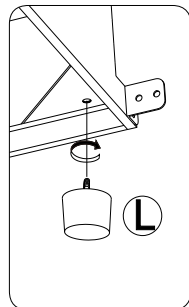


Step 4

2  M6 *20 4pcs

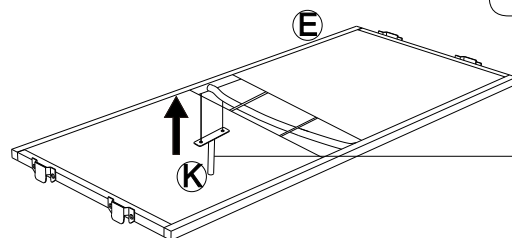
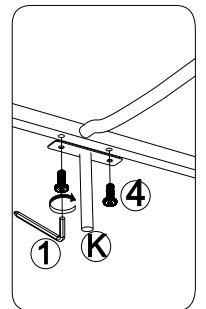


Step 5



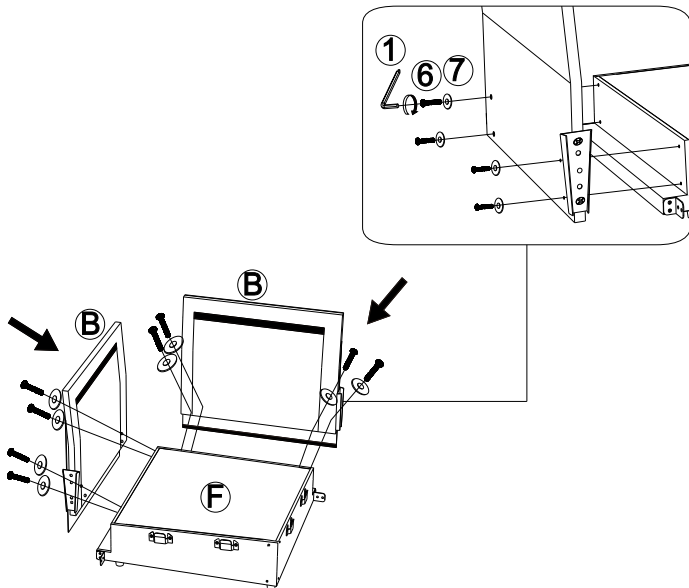
Step 6

4  M8 *20 4pcs



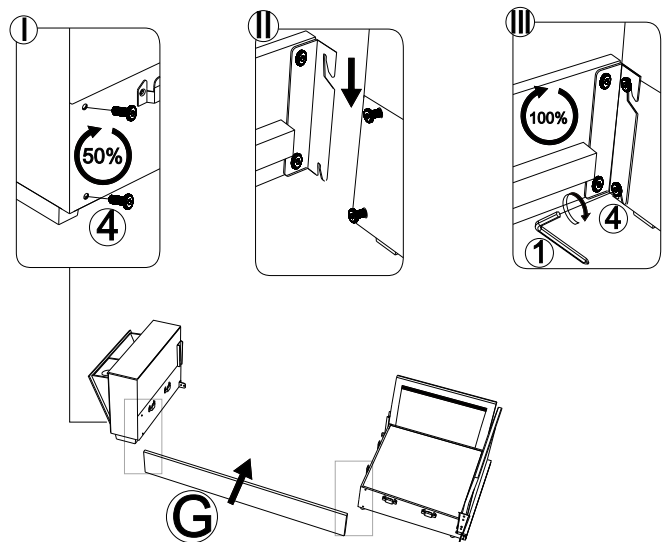
Step 7

6  M8 *50 8pcs

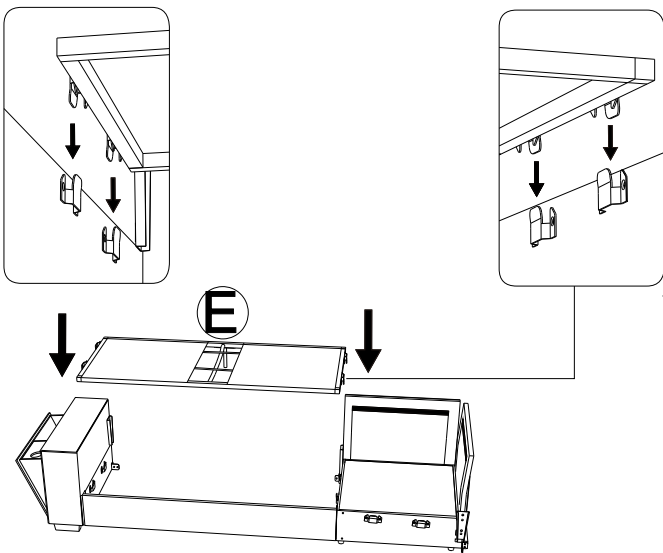


Step 8

4  M8 *20 4pcs

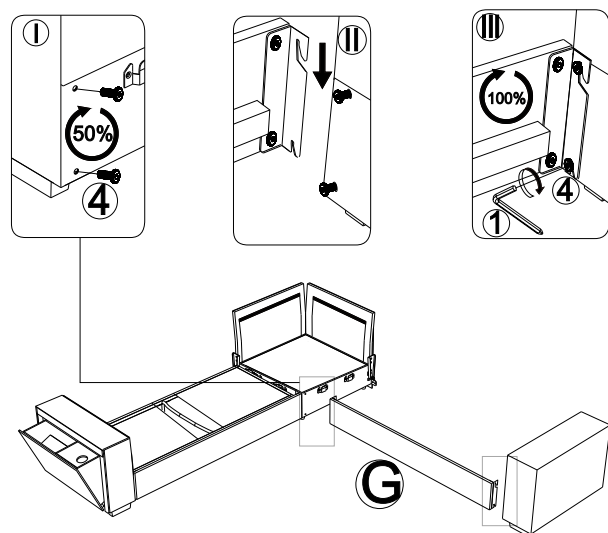


Step 9

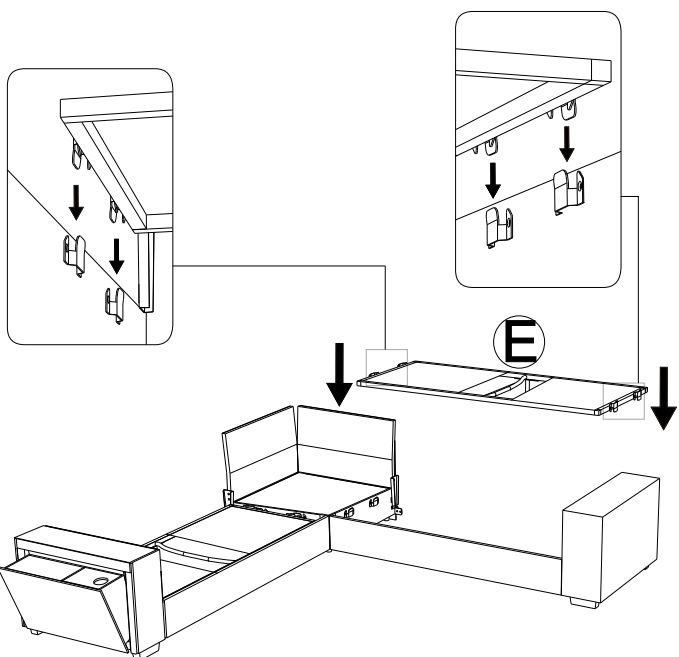


Step 10

4  M8 *20 4pcs

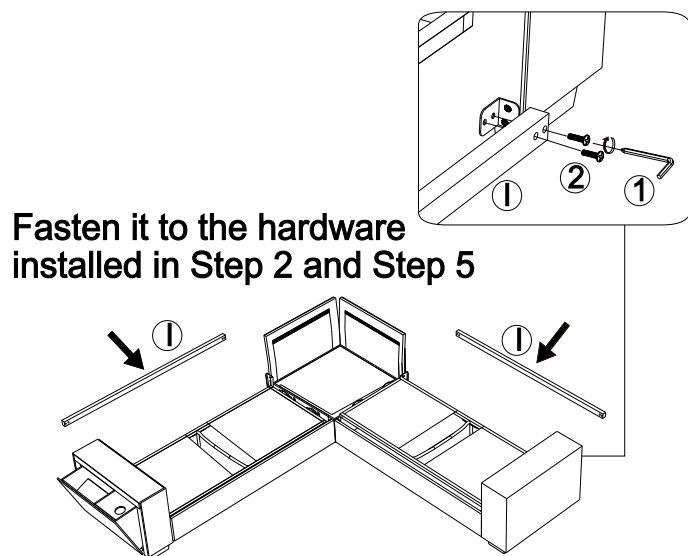


Step 11

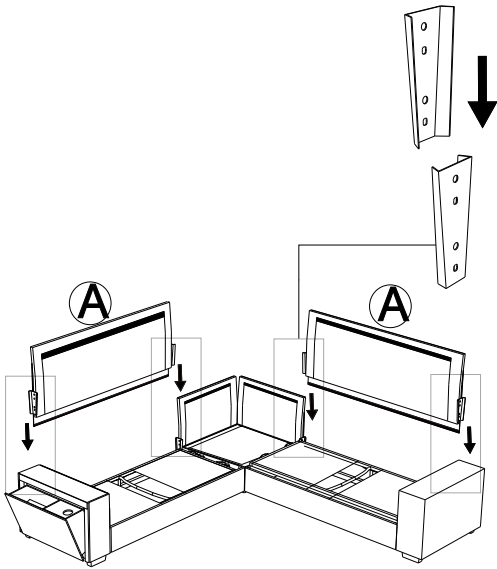


Step 12

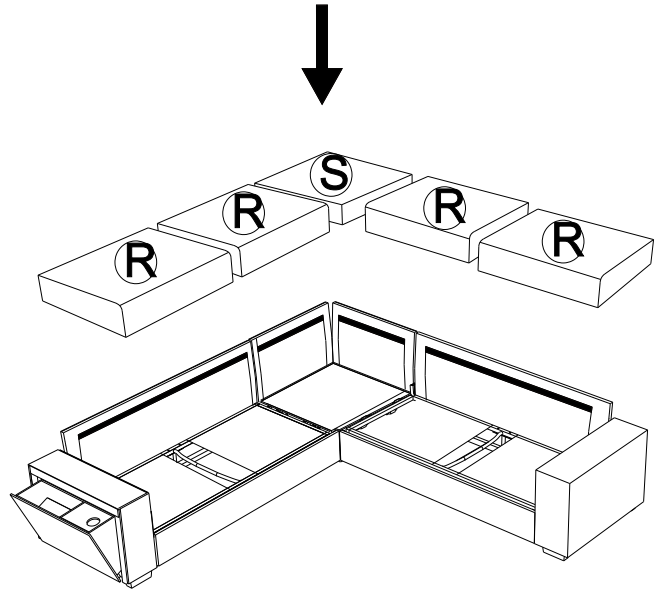
2  M6 *20 8pcs



Step 13



Step 14



Step 15

