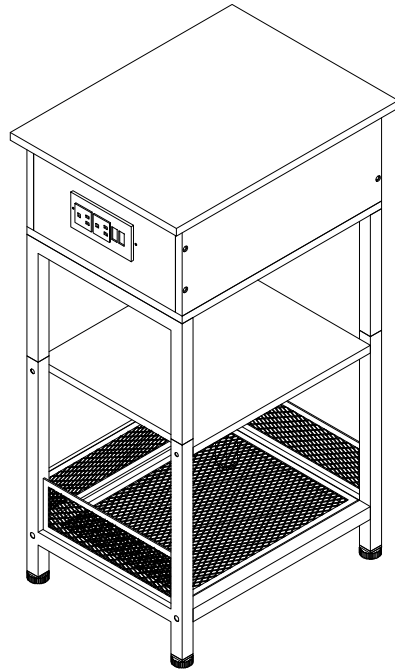
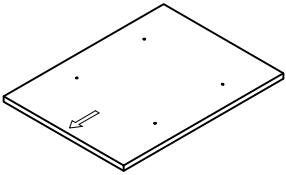


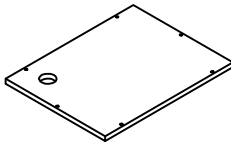
ASSEMBLY INSTRUCTION FOR C220054D P1



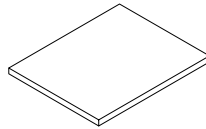
1



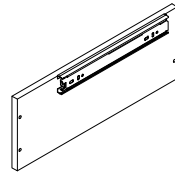
2



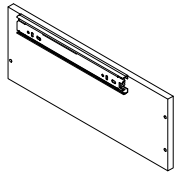
3



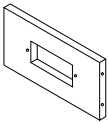
4



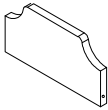
5



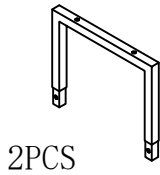
6



7

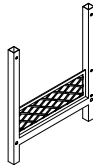


8

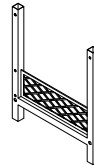


2PCS

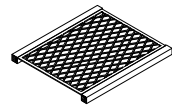
9



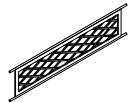
10



11



12



A



M6X35
4PCS

B



M6X28
4PCS

C



M5X50
16PCS

D



M8
4PCS

E



M3.5X12
6PCS

F



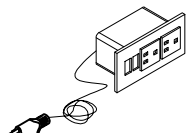
M4X8
4PCS

G

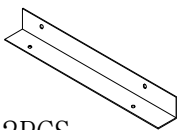


M4
4PCS

H



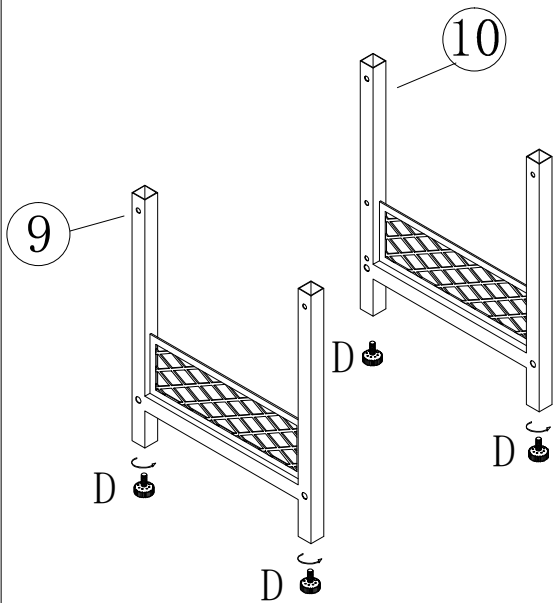
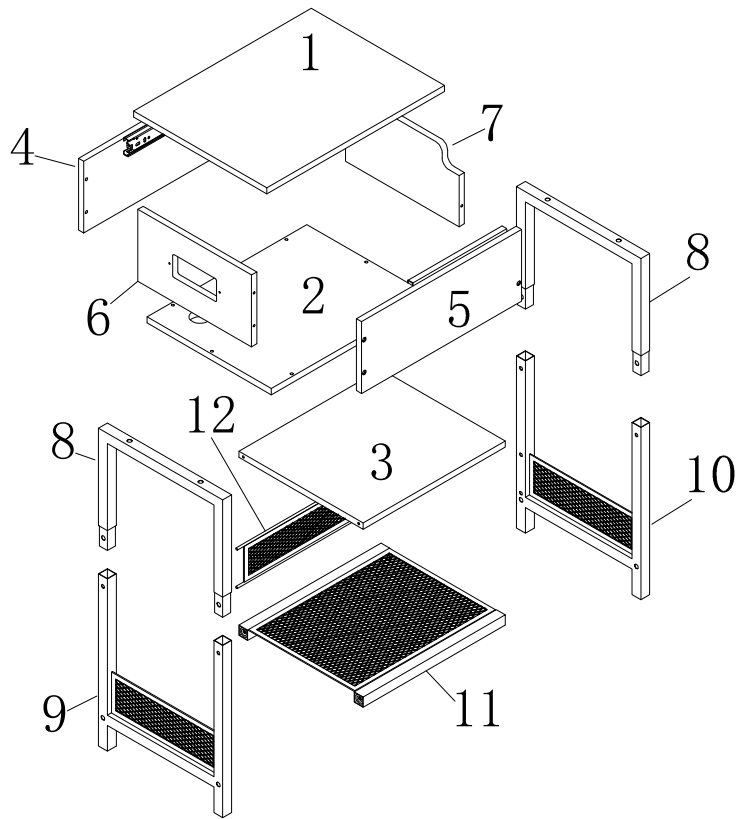
L



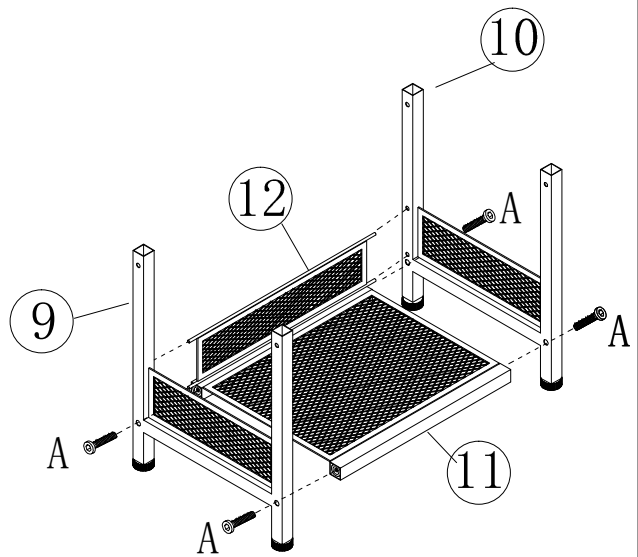
2PCS



ASSEMBLY INSTRUCTION FOR C220054D P2

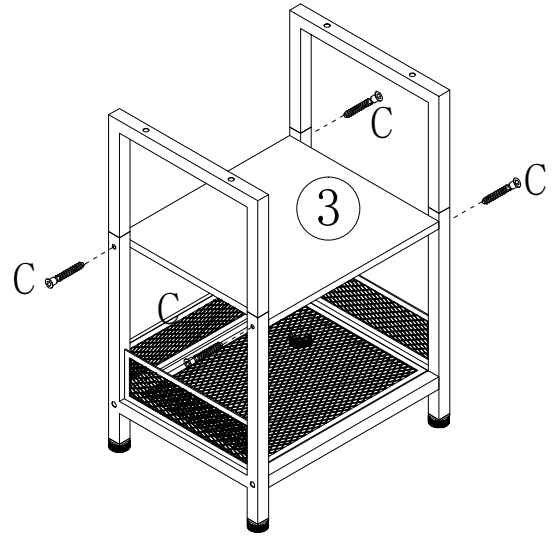
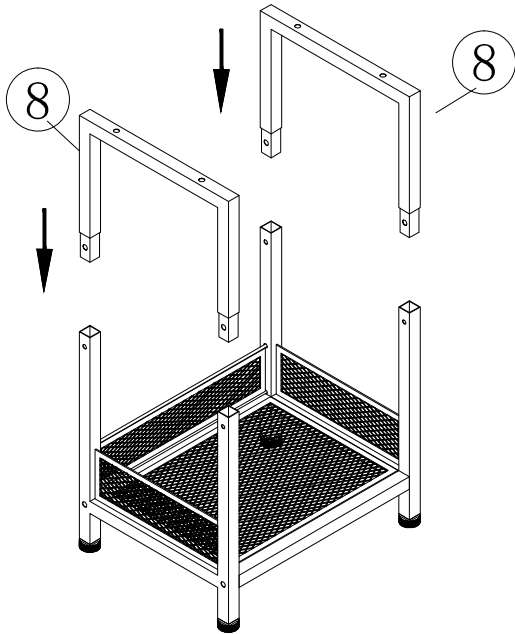


D X4

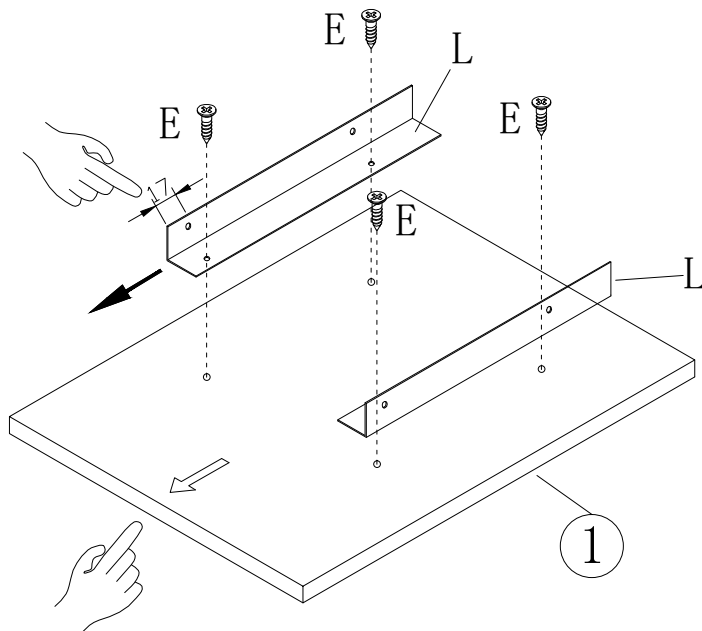


A M6X35X4pcs

ASSEMBLY INSTRUCTION FOR C220054D P3

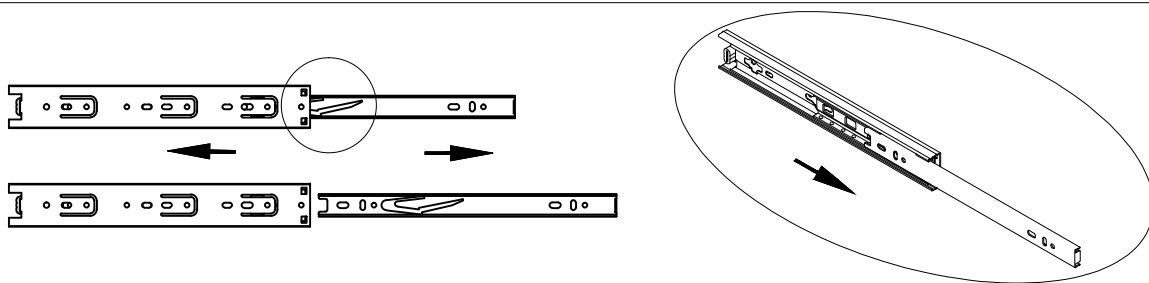
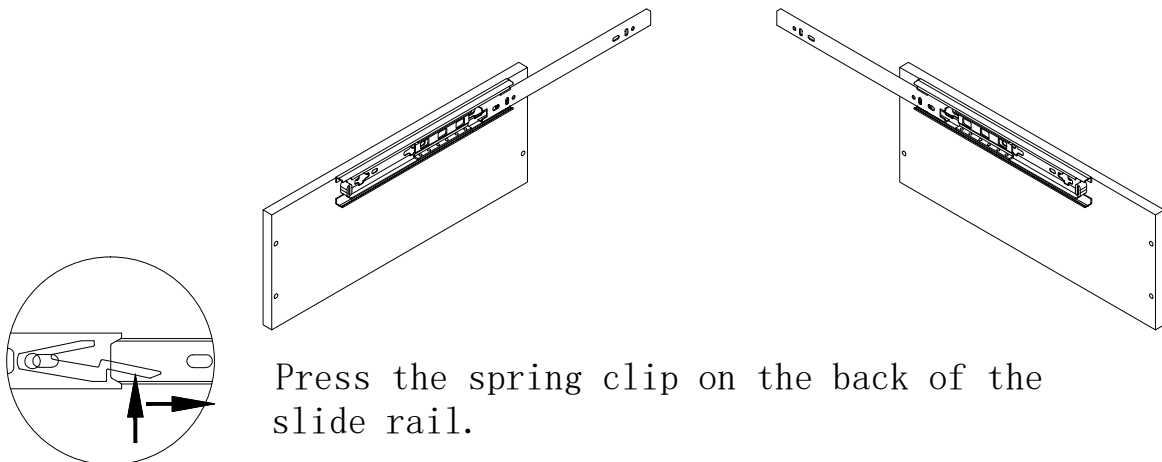


C M5X50X4pcs

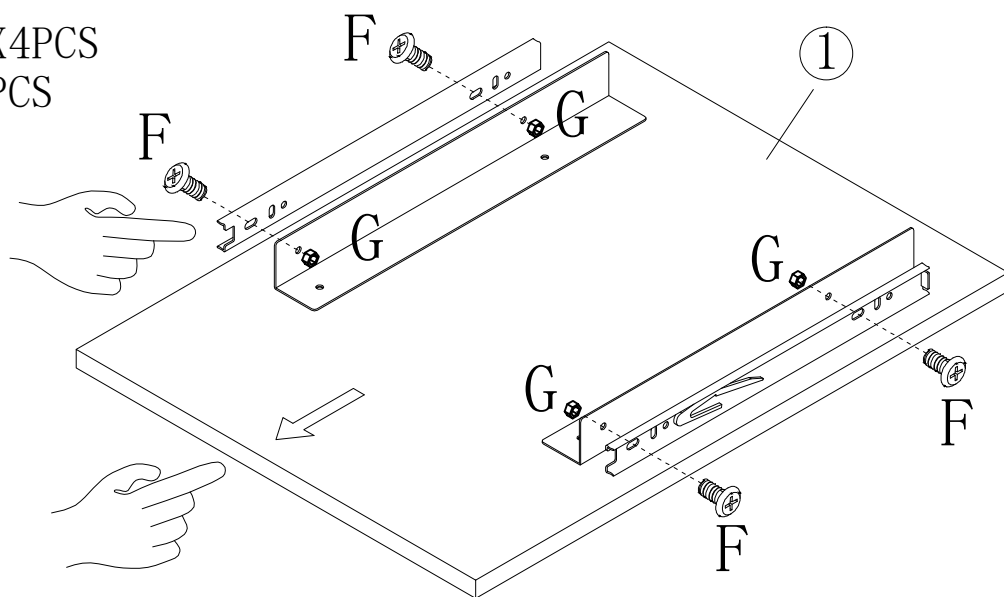


E M3.5X4PCS

ASSEMBLY INSTRUCTION FOR C220054D P4

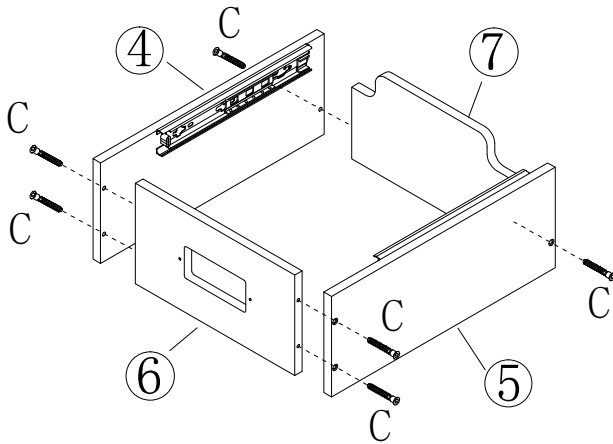


- F M4X8X4PCS
- G M4X4PCS

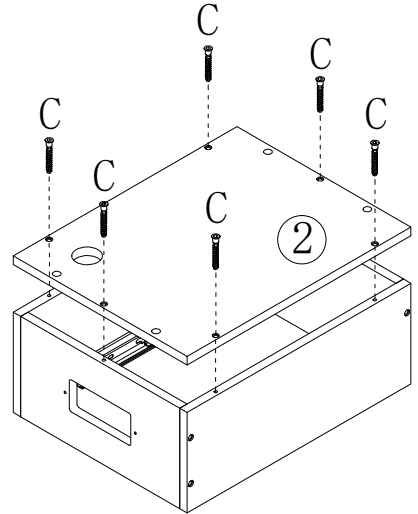


Use part F and part G to lock the inner rail. Make sure the part F is on the outside and lock the Horizontal Oval Hole on the inner rail.

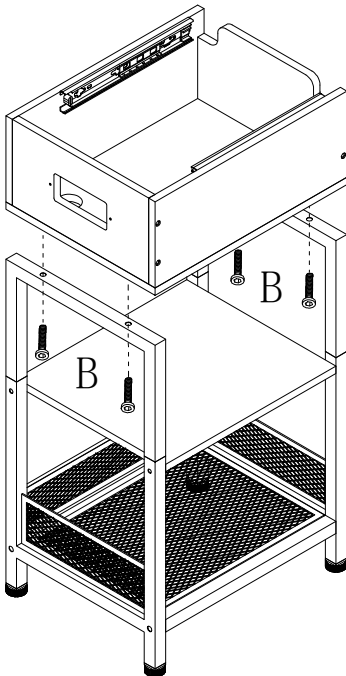
ASSEMBLY INSTRUCTION FOR C220054D P5



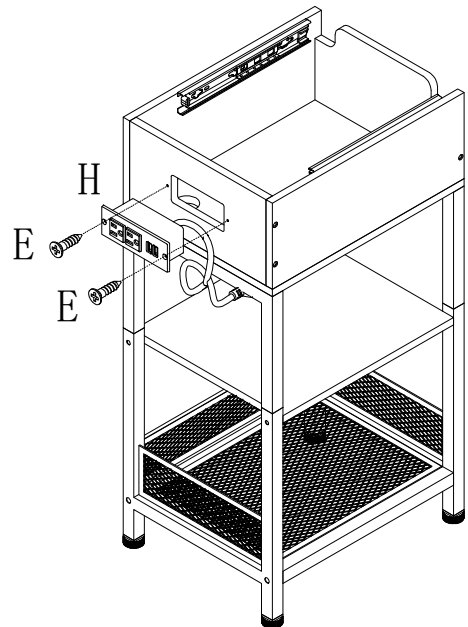
C M5X50X6pcs



C M5X50X6pcs

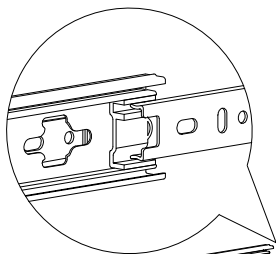


B M6X28X4pcs



E M4X2PCS

ASSEMBLY INSTRUCTION FOR C220054D P6



locking the middle
fixing rail in order
to move in

