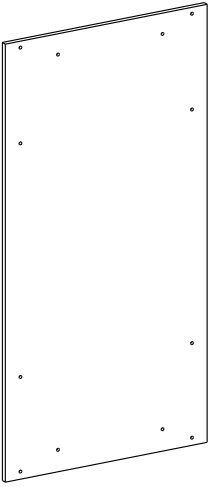


# Bar Table Set



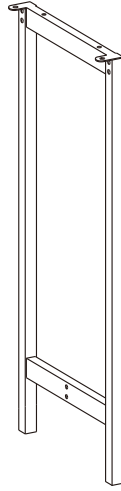
**A** × 1



**B** × 2



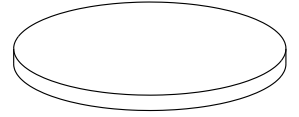
**C** × 2



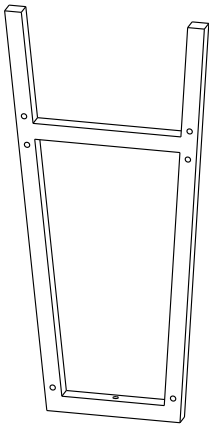
**D** × 1



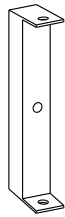
**E** × 2



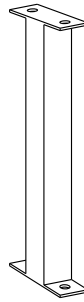
**F** × 4



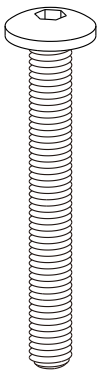
**G** × 4



**H** × 4

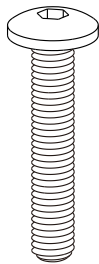


**1** 20+1



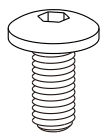
M6 × 50 mm

**2** 8+1



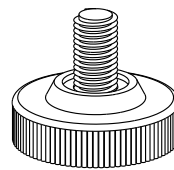
M6 × 35 mm

**3** 28+1



M6 × 13 mm

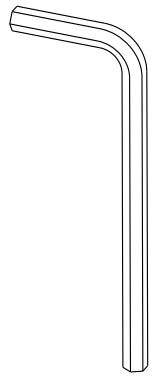
**4** × 4

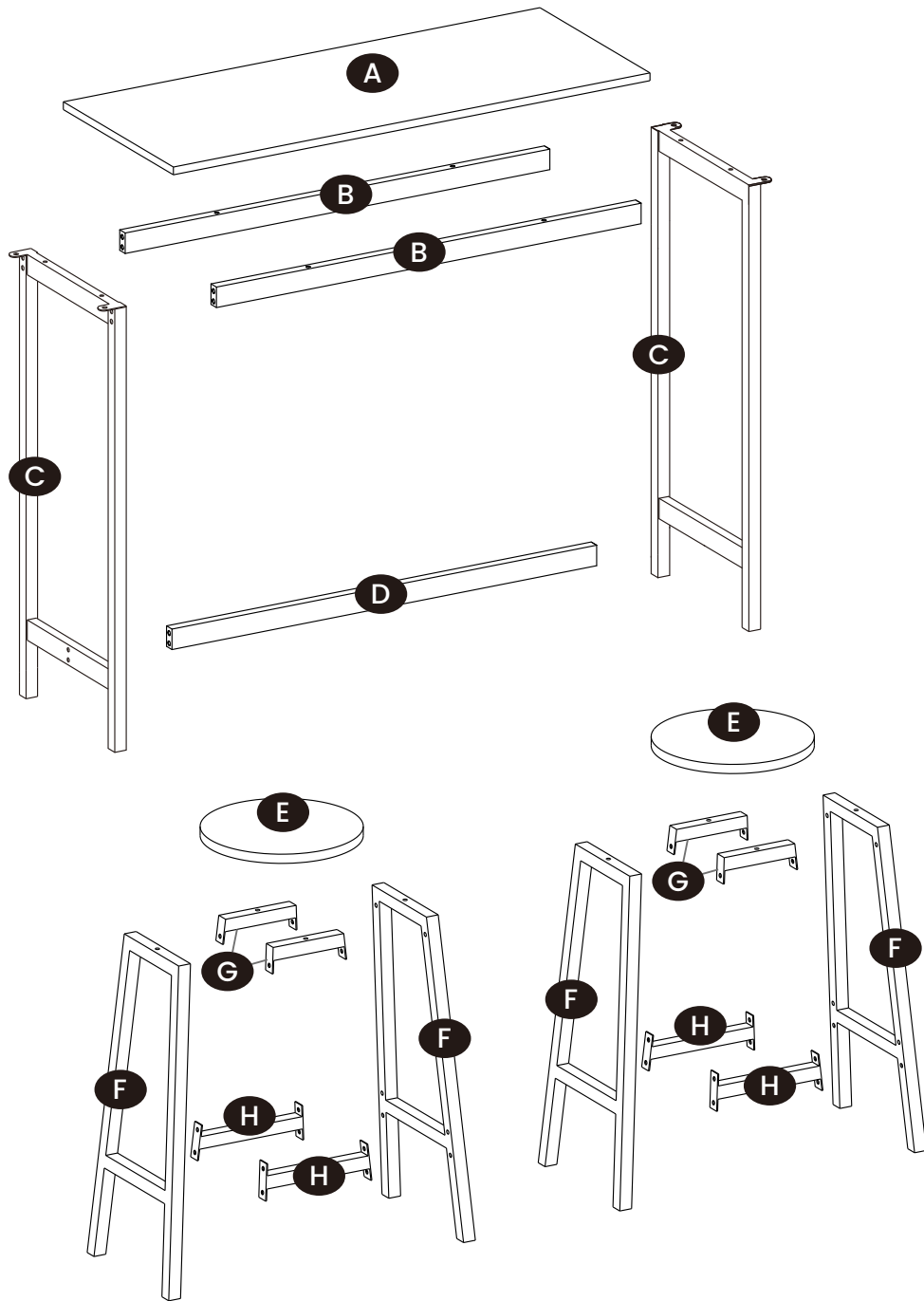


**5** × 1

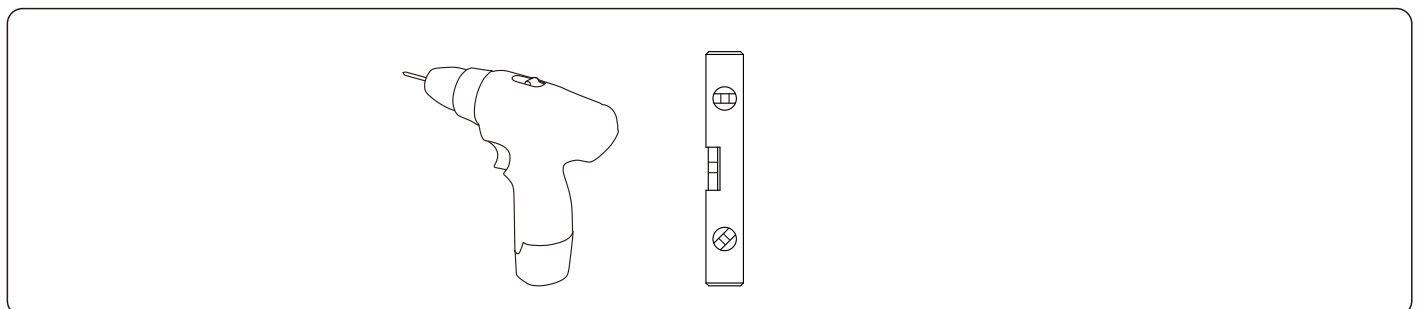


**6** × 1

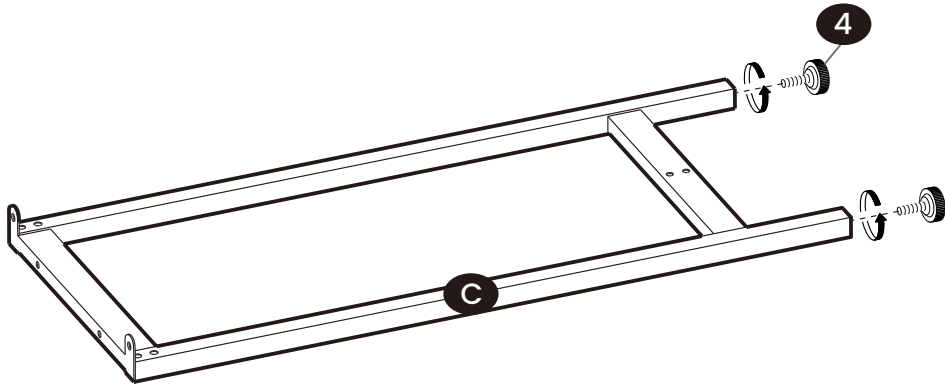




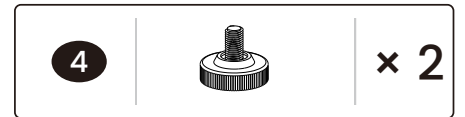
**Tools Required:**



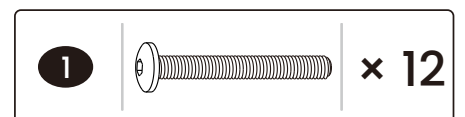
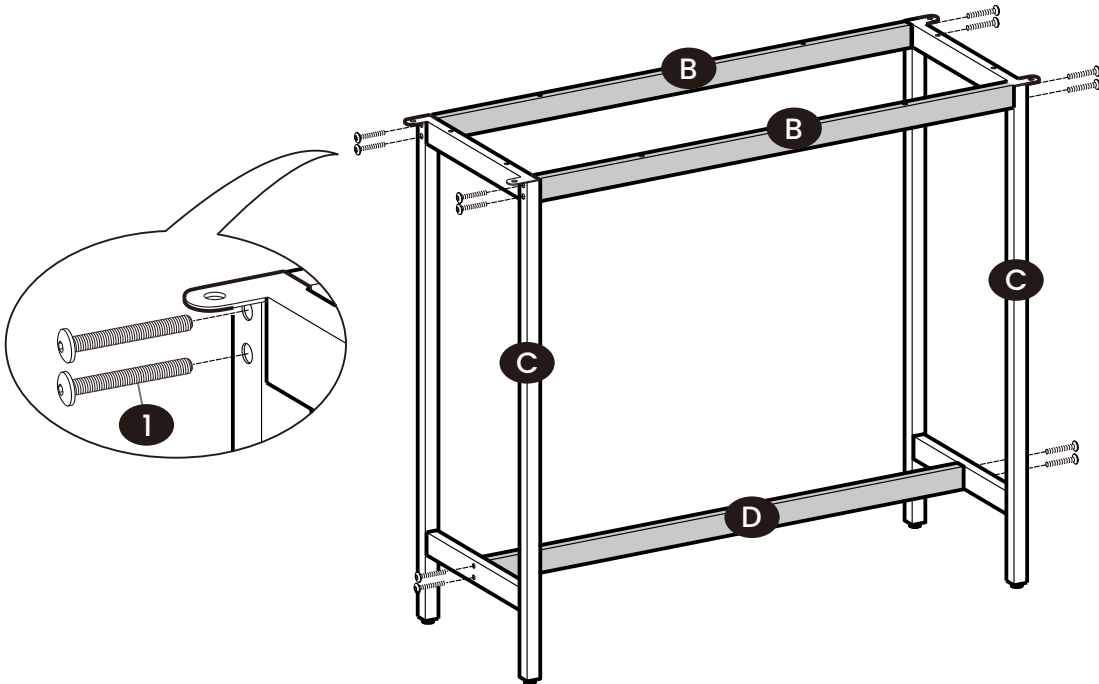
1



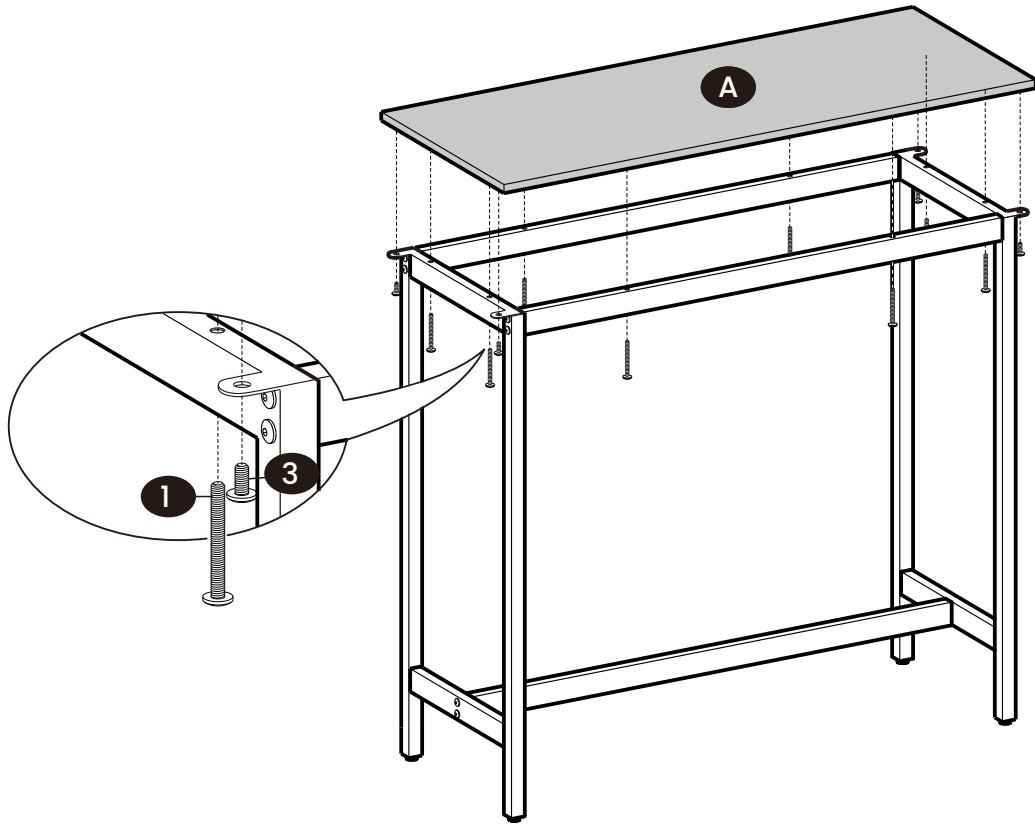
× 2



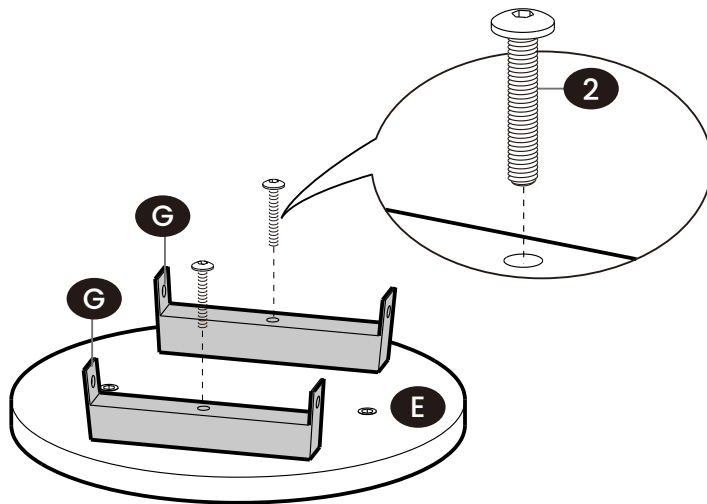
2



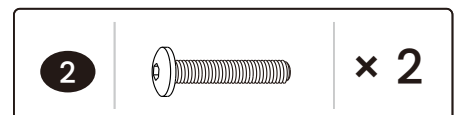
3



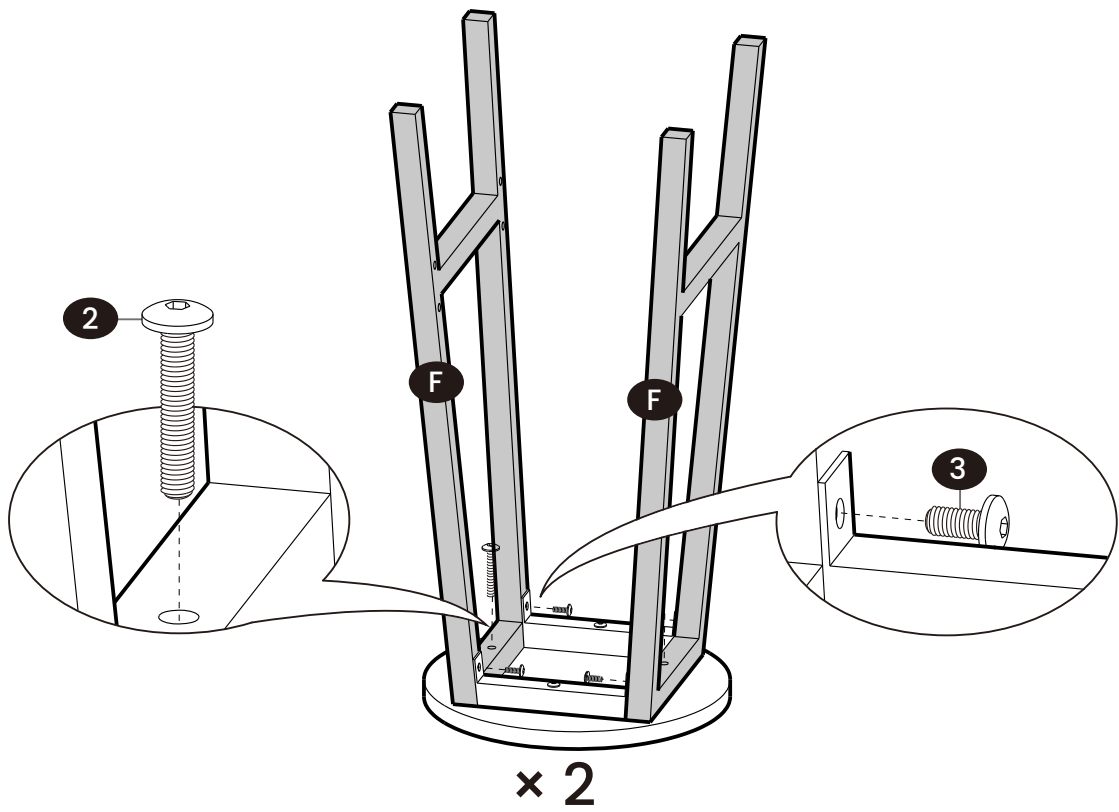
4



× 2



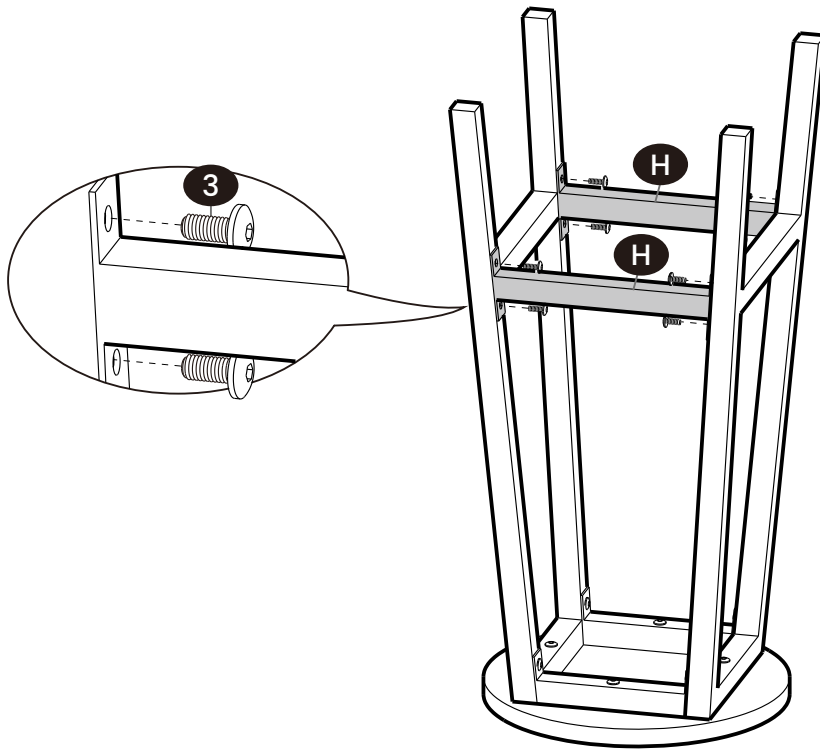
5



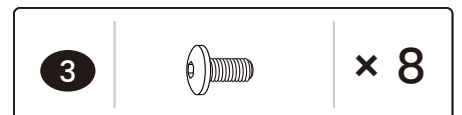
× 2



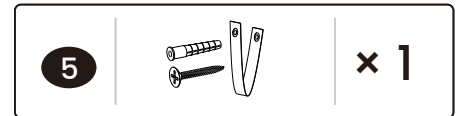
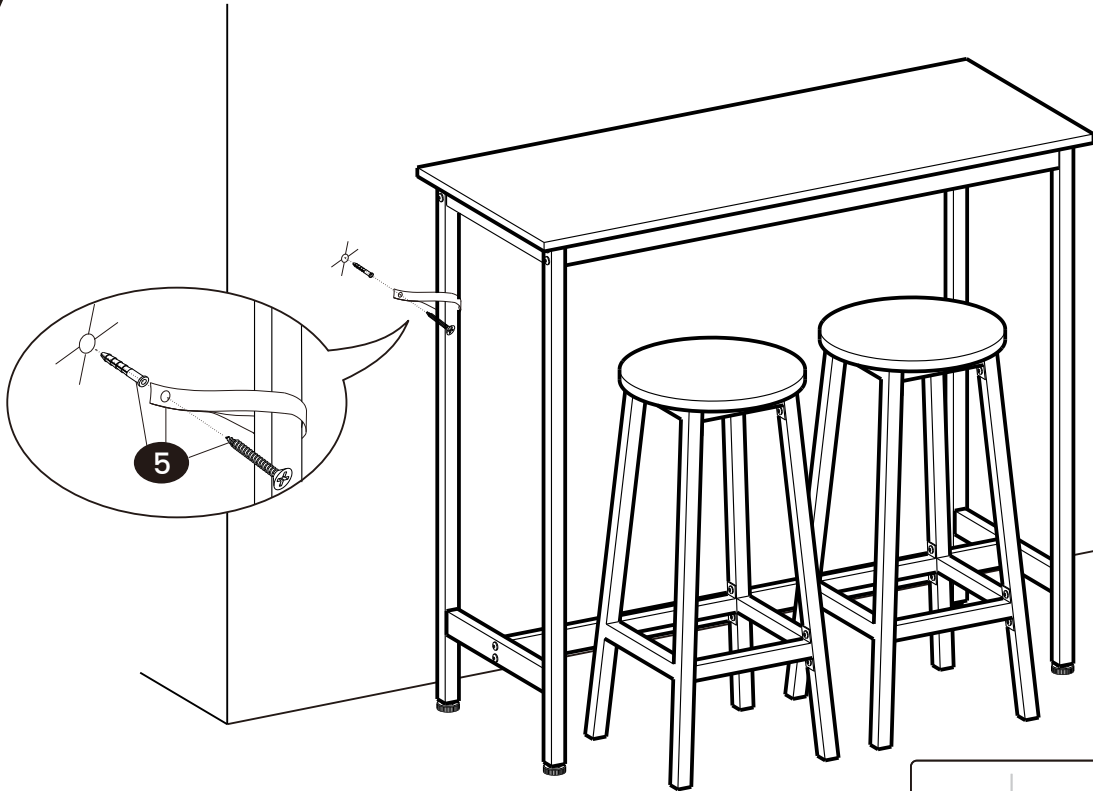
6



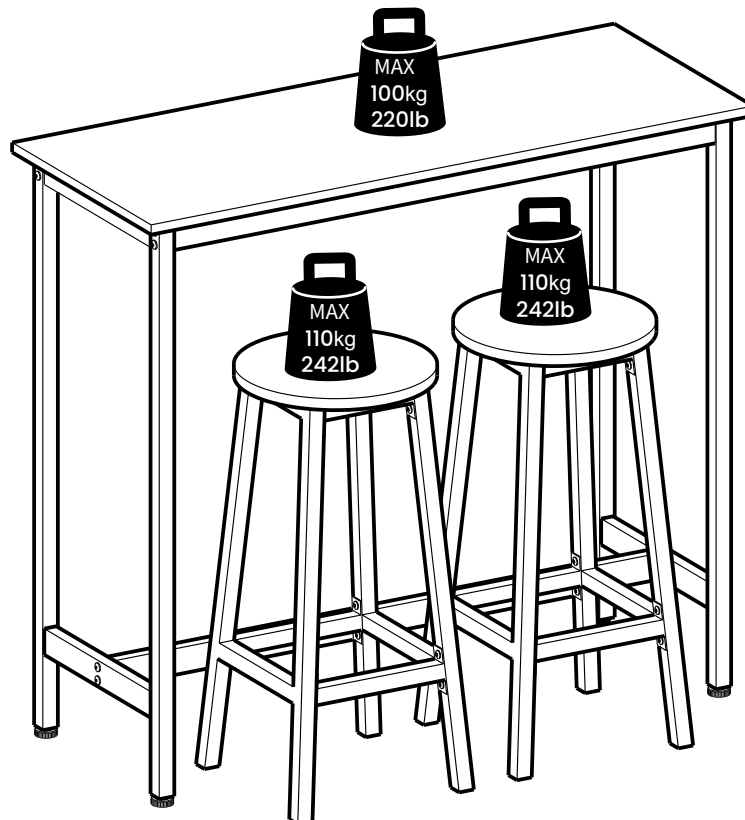
× 2



7



8



**EN**

## **Warnings**

Children are not allowed to assemble the product. During assembly, keep all small parts out of the

Children are forbidden to climb or play on the product to avoid serious bodily injury caused by the

The product should be attached to the wall with the included anti-tip kit to prevent personal injury

Read the instructions to assemble carefully and use the product accordingly.

If there are any defective or missing parts after unpacking, cease assembly immediately and cont