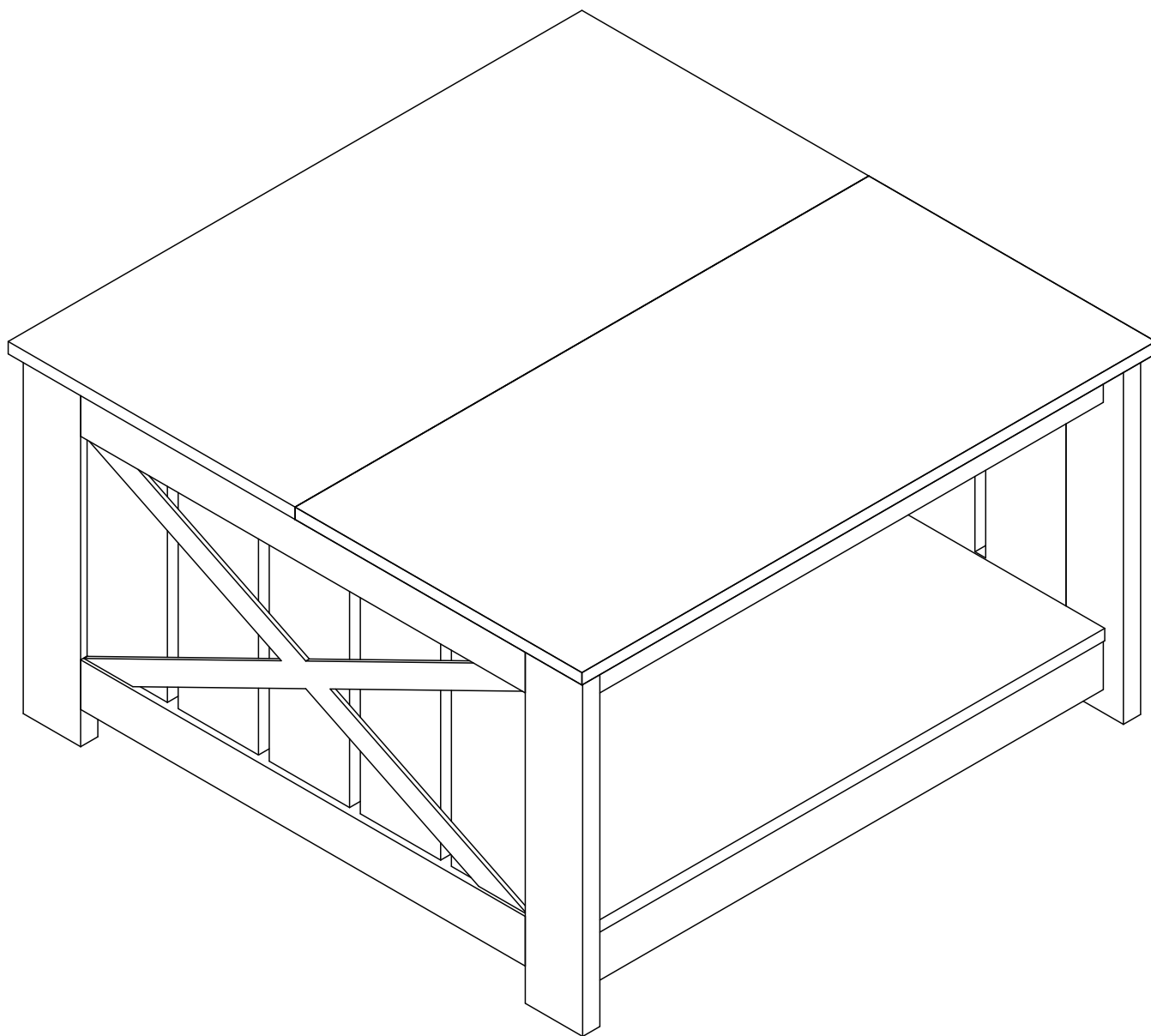


FJFL-V1



FTLFCT-0021

FTLFCT-6008

FTLFCT-6017

FTLFCT-6040

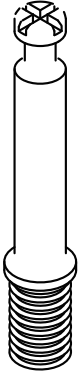
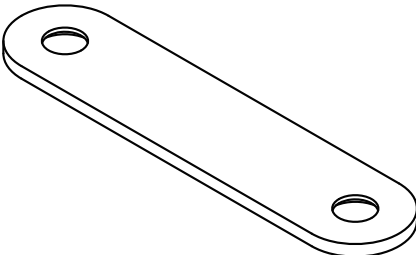
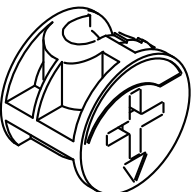
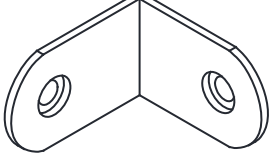
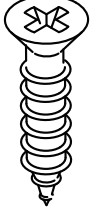
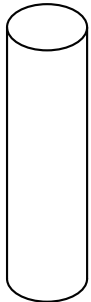
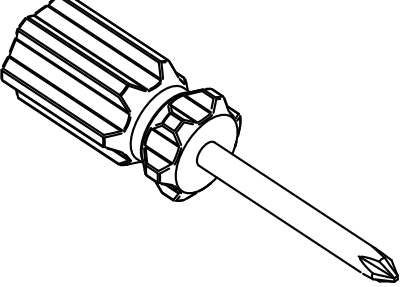
FTLFCT-6041

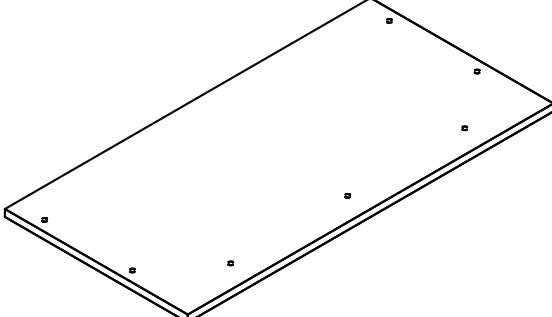
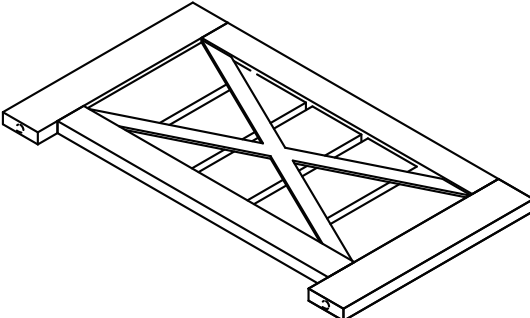
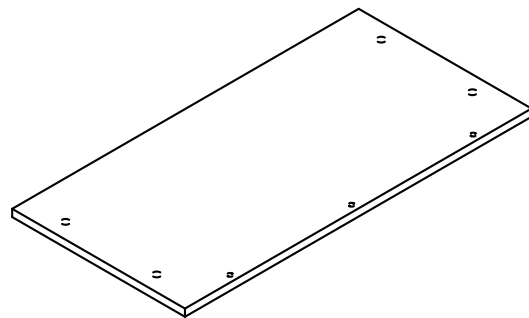
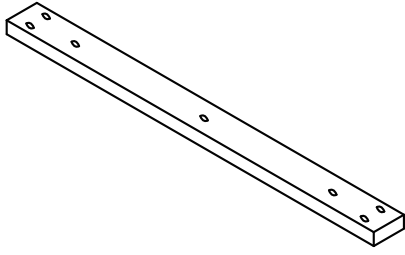
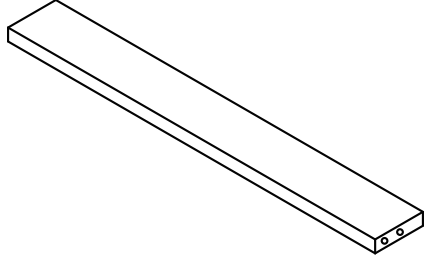
FTLFCT-6042

FTLFCT-0055

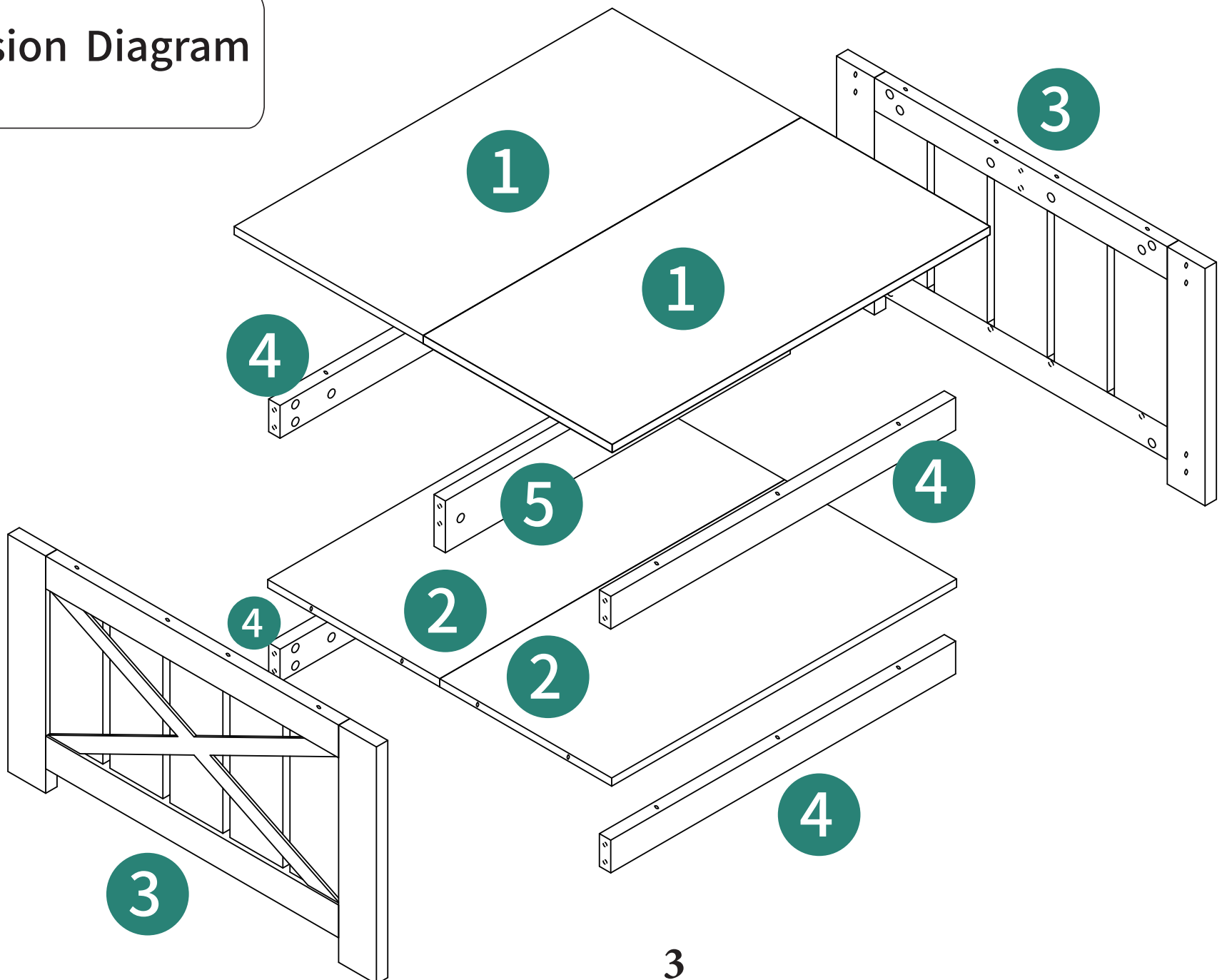
FTLFCT-0054

IMPORTANT, RETAIN FOR FUTURE REFERENCE: READ CAREFULLY

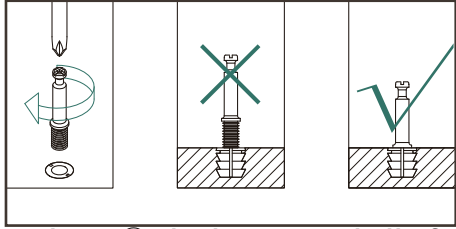
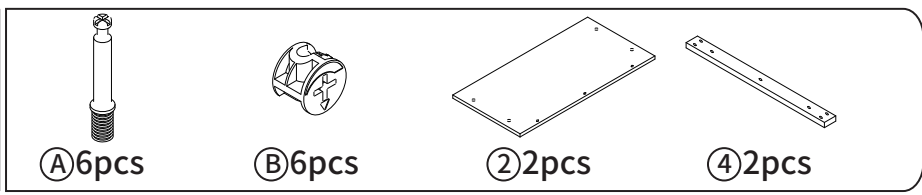
Item no.	Reference Image	Qty.	Item no.	Reference Image	Qty.
(A)	 M6×35	X46	(E)		X2
(B)		X46	(F)		X2
(C)	 M4×14	X8			
(D)	 ∅ 8×40	X2			X1

Item no.	Reference Image	Qty.	Item no.	Reference Image	Qty.
1		X2	3		X2
2		X2	4		X4
			5		X1

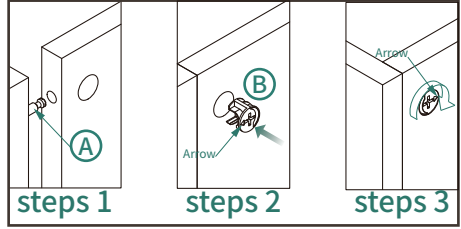
Explosion Diagram



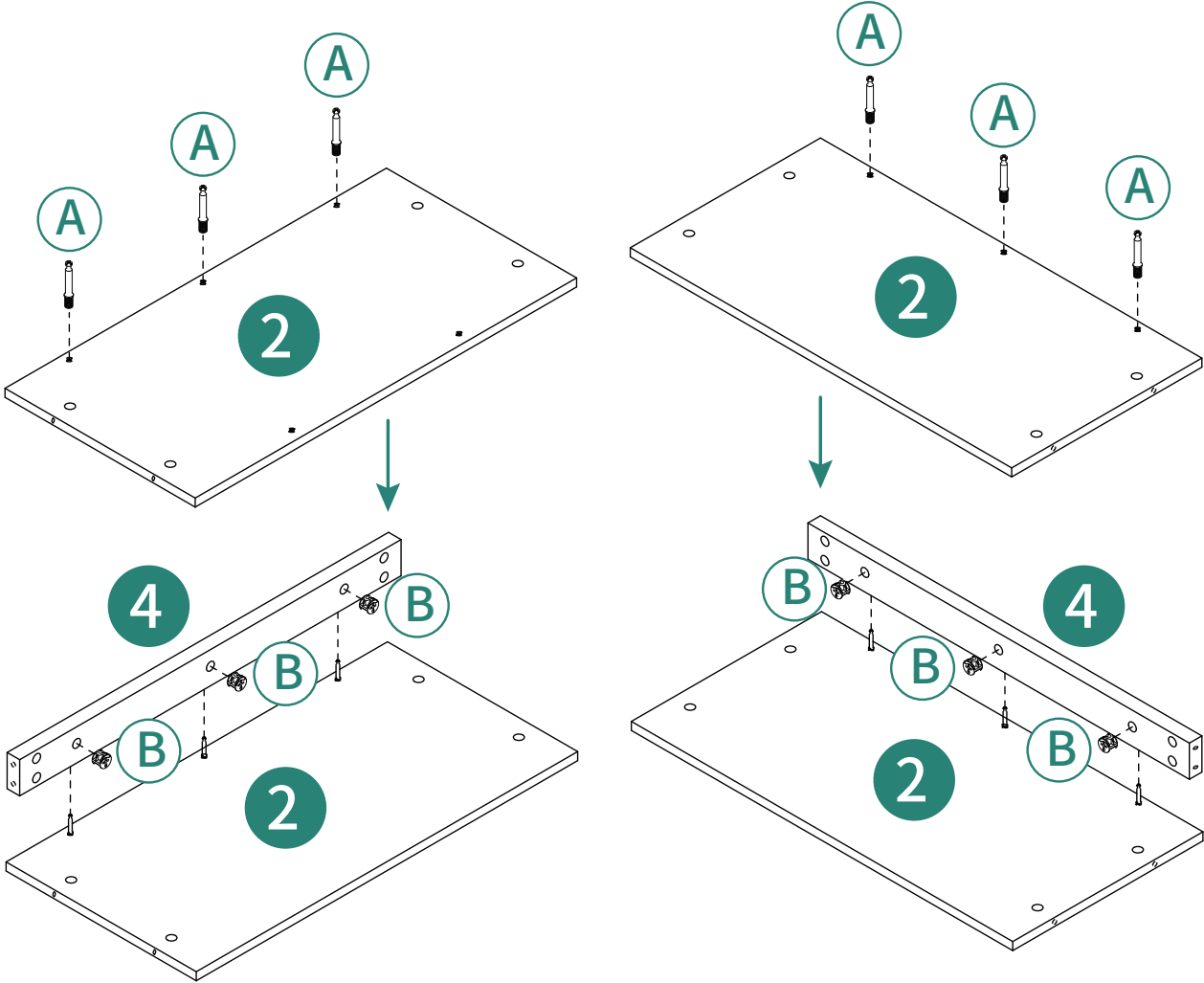
1



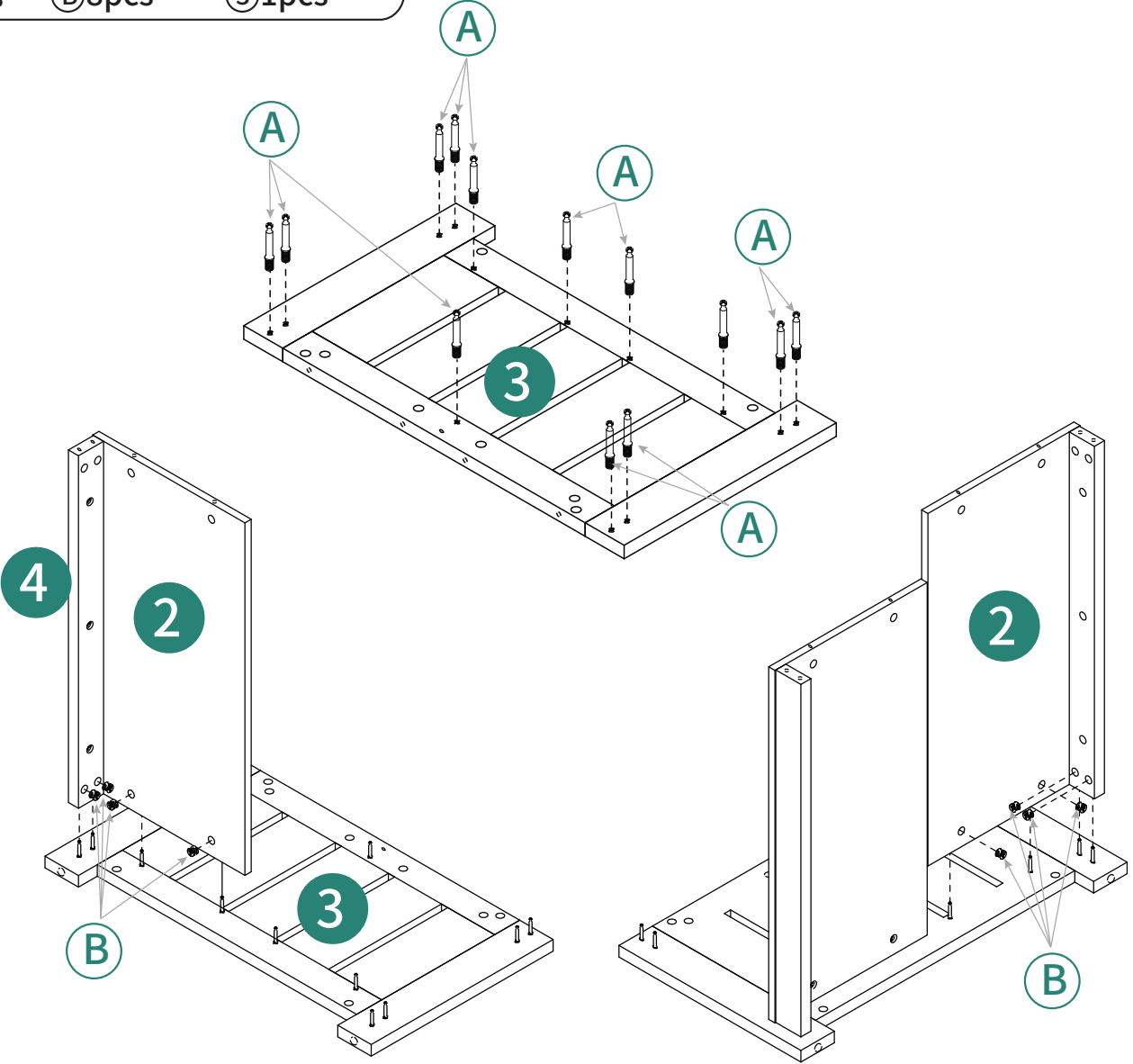
Tighten Ⓐ clockwise until all of their threads are engaged.





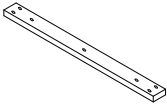
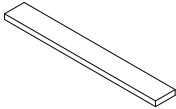
The two boards fit vertically, place Ⓑ and match their holes with Ⓐ then tighten Ⓑ clockwise.

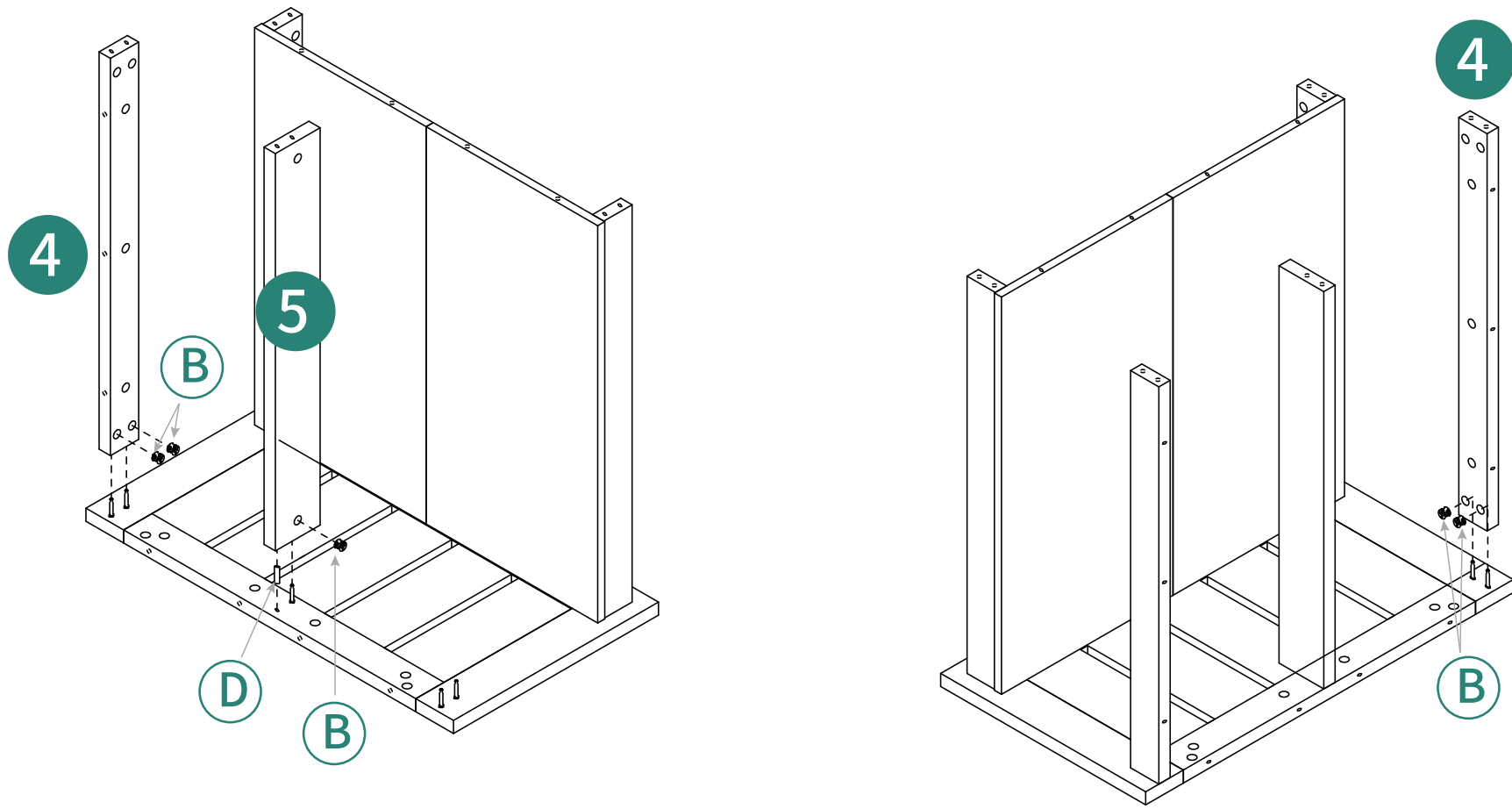


2


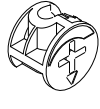

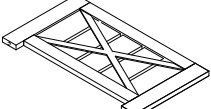


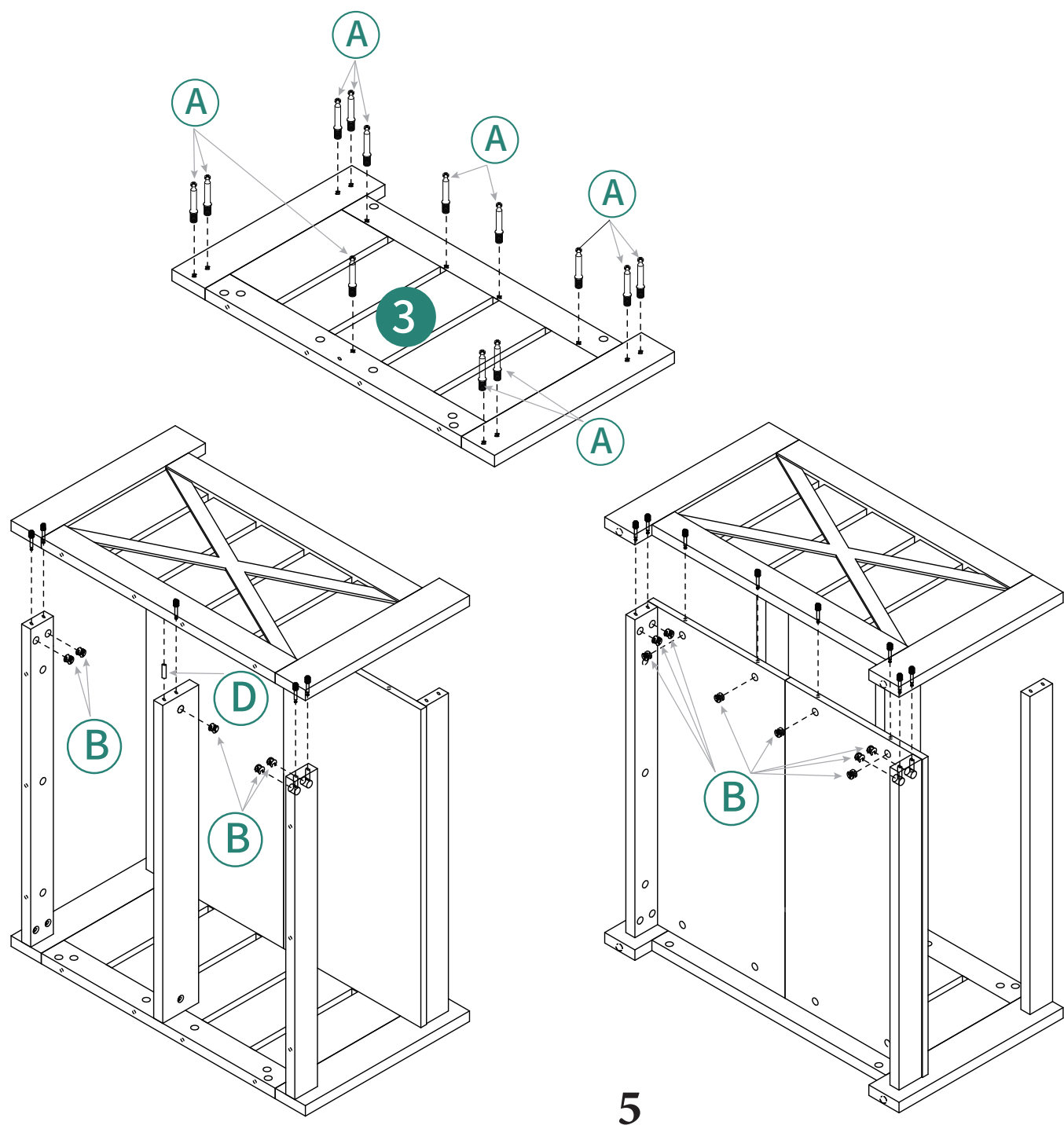
3

 **Ⓑ 5pcs**
 **Ⓓ 1pcs**
 **Ⓓ 2pcs**
 **Ⓔ 1pcs**

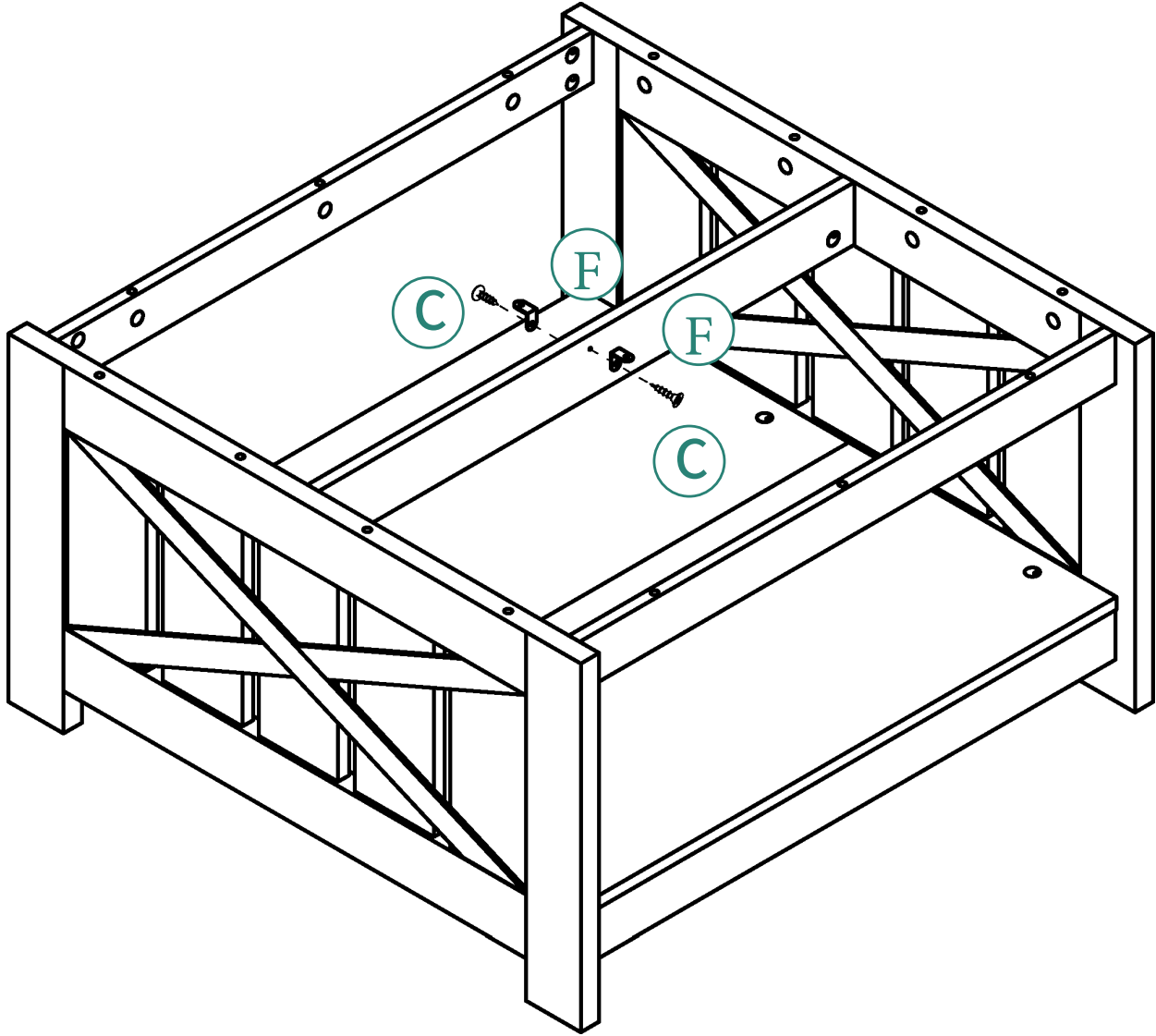
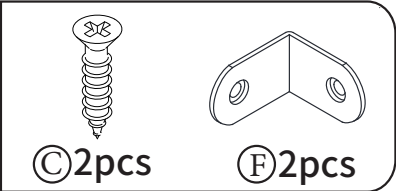


4

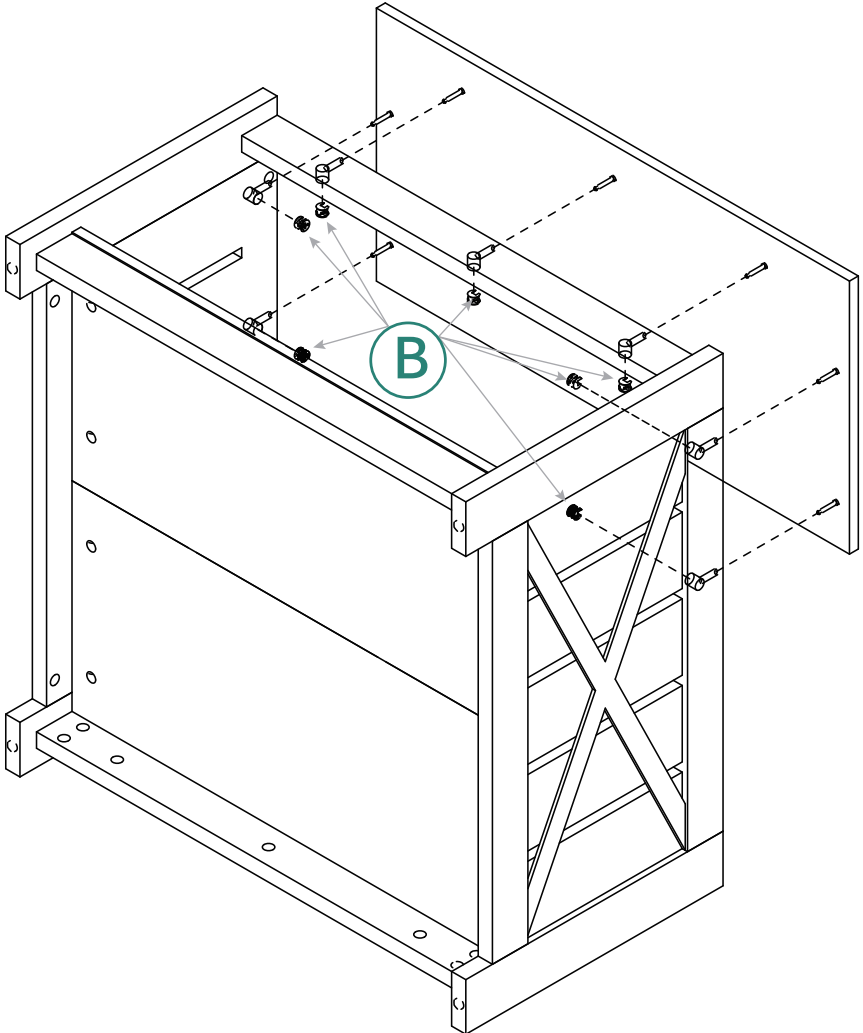
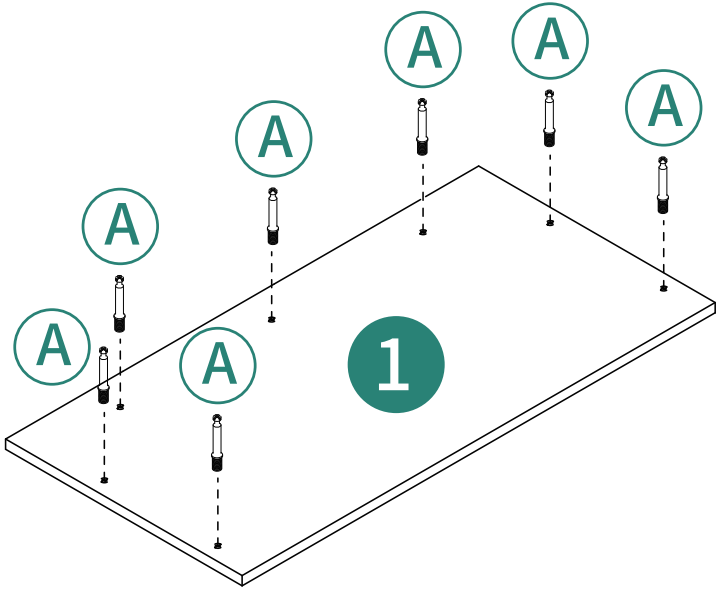
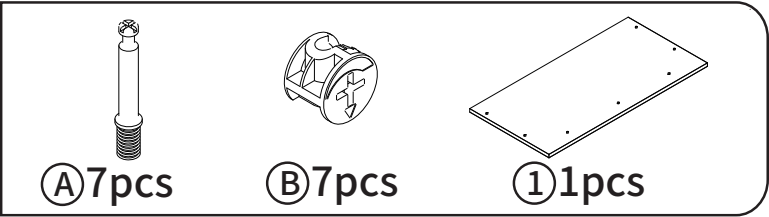
 **Ⓐ 13pcs**
 **Ⓑ 13pcs**
 **Ⓓ 1pcs**
 **Ⓒ 1pcs**





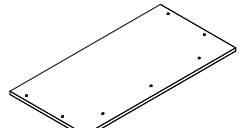
5



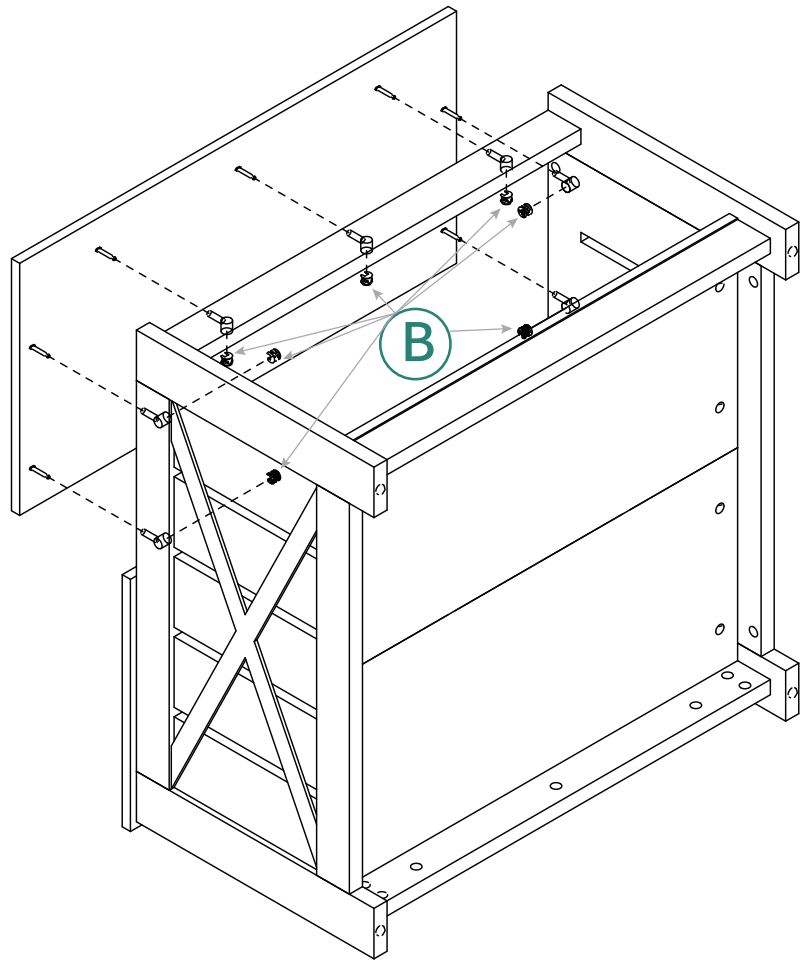
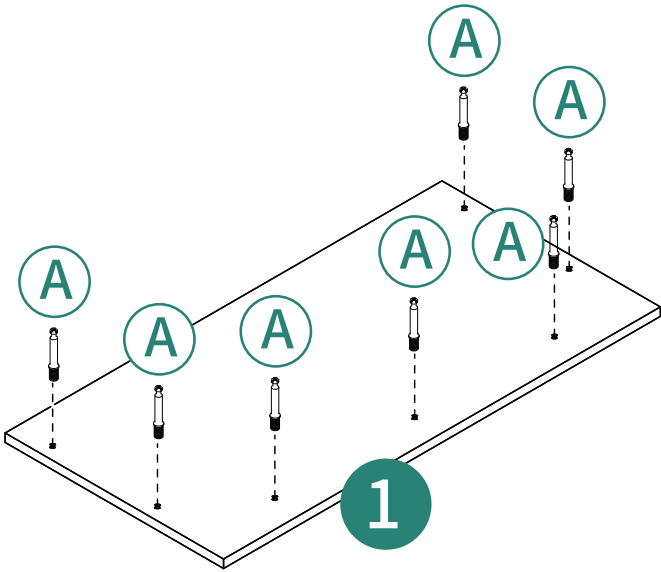
6




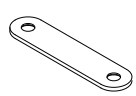
7

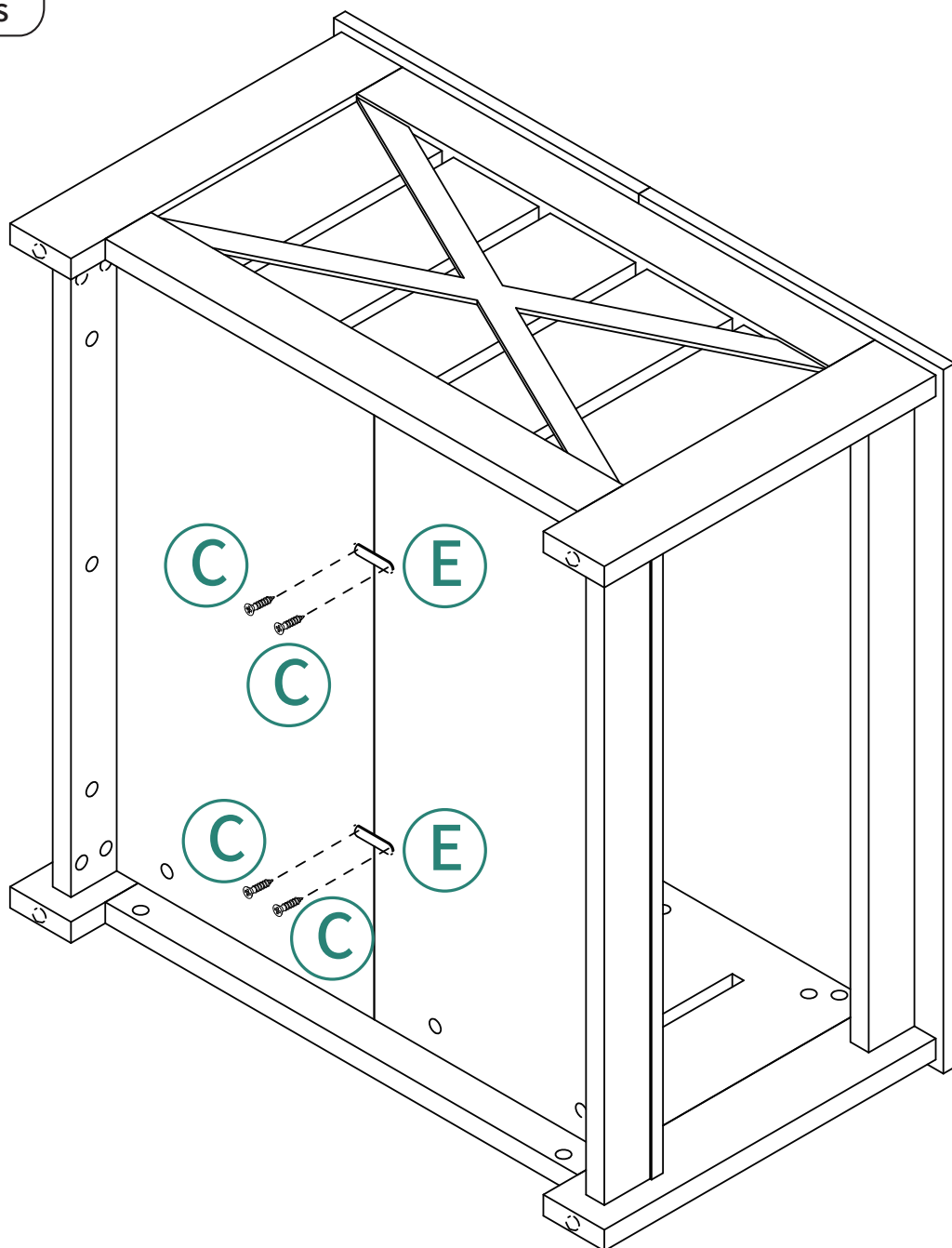
(A) 7pcs (B) 7pcs (1) 1pcs



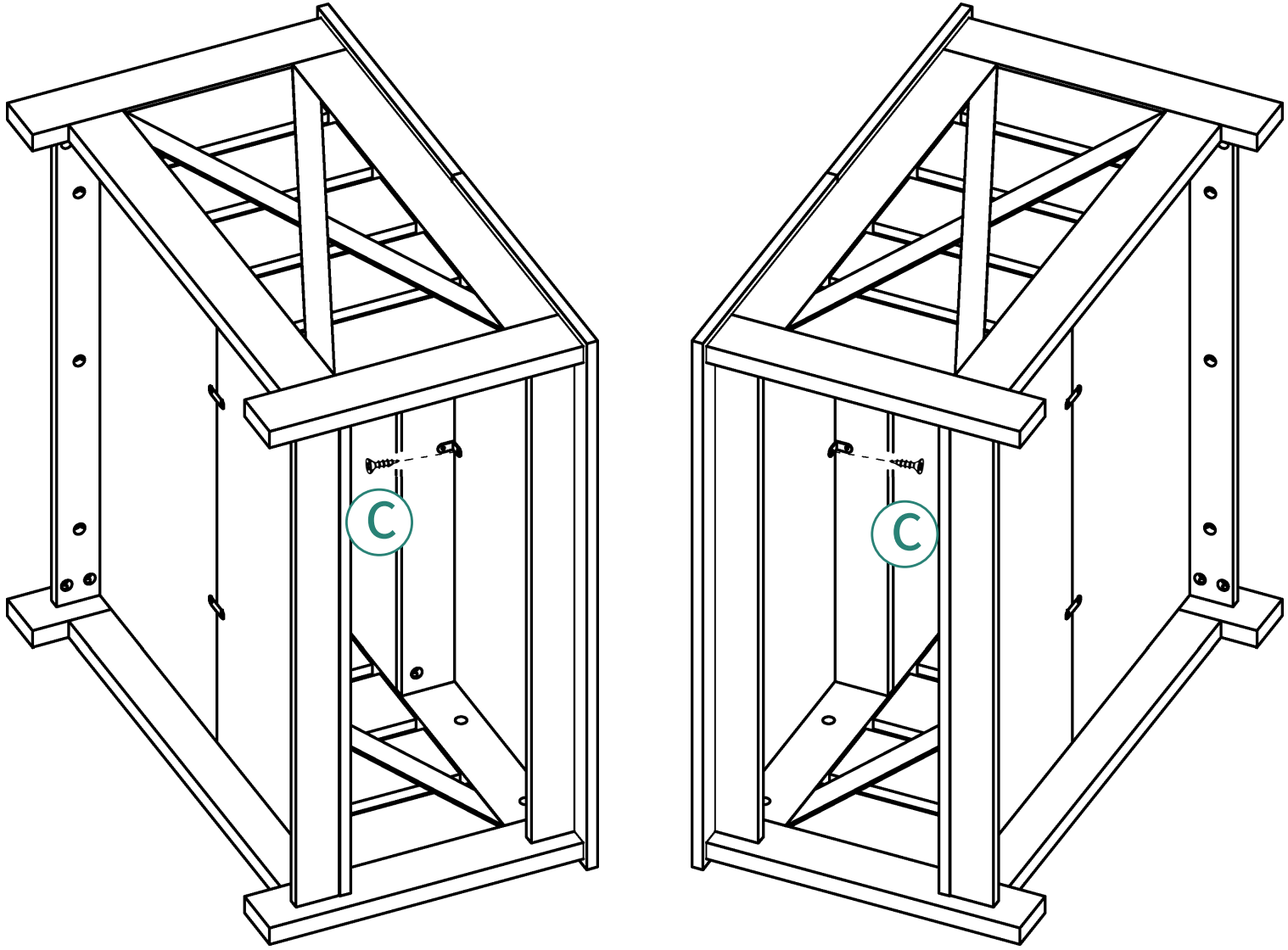
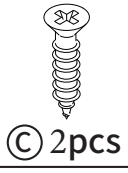
8

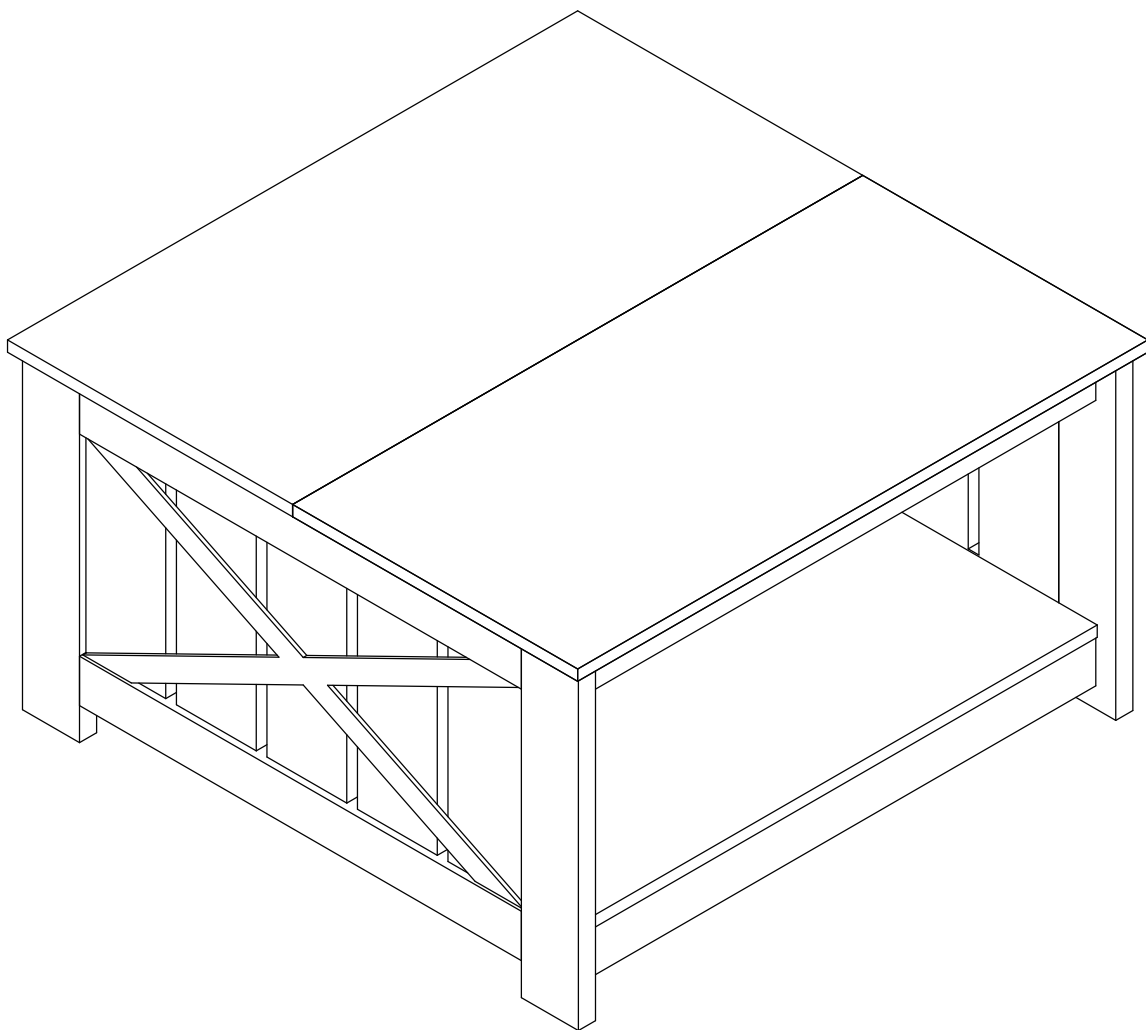
(C) 4pcs (E) 2pcs



9



10



Installation Completed