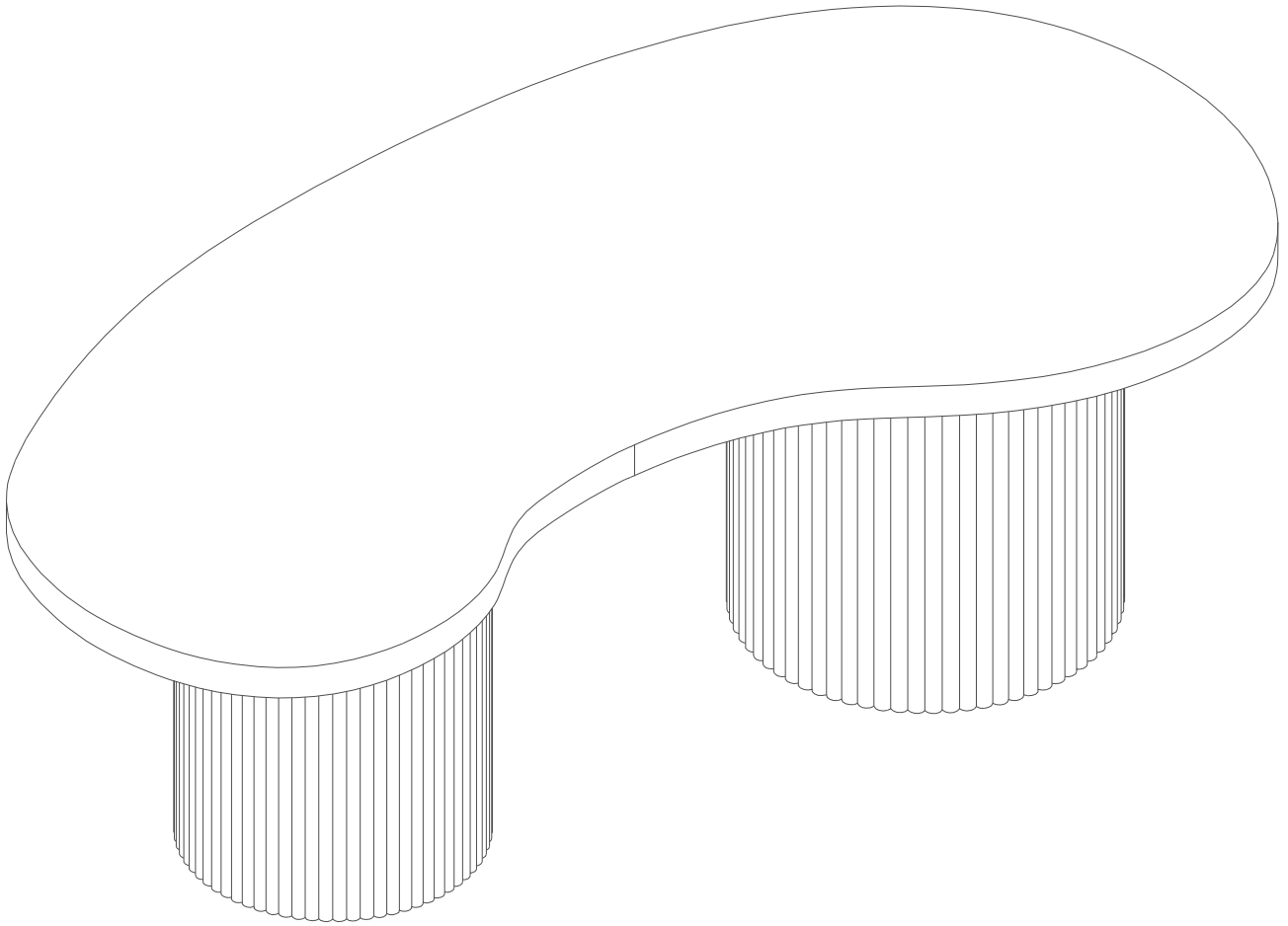


# Installation Instruction



Product name

---

**Coffee Table**

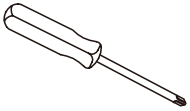
Ver.1.0 20250104

# Assembling

---

## What you need

- Use the packaging carton as a working surface to prevent product damage during assembly
- Phillips head screwdriver



---

## Weight Limitation



# What's included

---

Code	Description	Qty
A	Screw M6X10MM	30
B	Foot Pad M6MM	6
C	Screw M3.5X16MM	8
D	Allen Key	1

# The Hardwares



## IMPORTANT:

1. Do not tighten bolts / screws completely until all bolts / screws are lined up and inserted into holes.
2. Do not over tighten screws and bolts to avoid stripping.
3. Please use hand tools to assemble this product. Do not use power tools.
4. Must need 2 people to assemble this product.



2 PERSONS

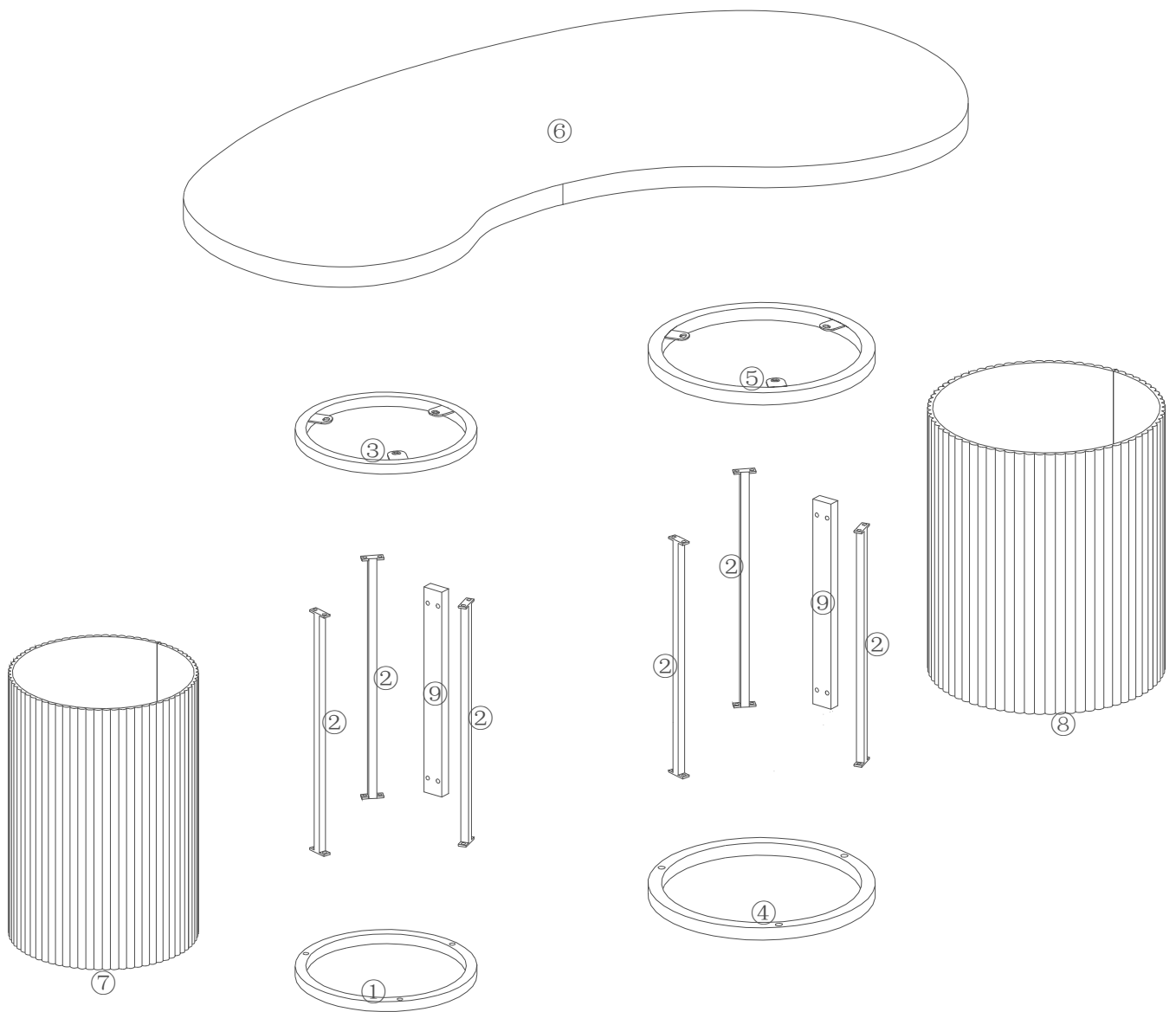
# Included Accessories

---

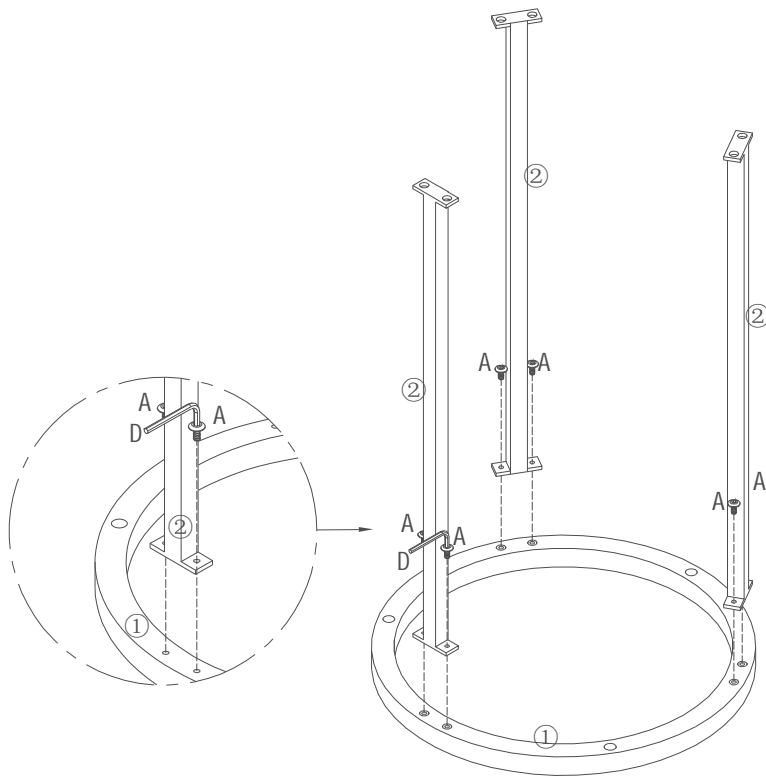
Code	Description	Qty
1	Small Bottom Frame	1
2	Metal Support Leg	6
3	Small Top Frame	1
4	Big Bottom Frame	1
5	Big Top Frame	1
6	Top Panel	1
7	Small Strip Surrounding Edge	1
8	Big Strip Surrounding Edge	1
9	Support Panel	2



---

# The Accessories

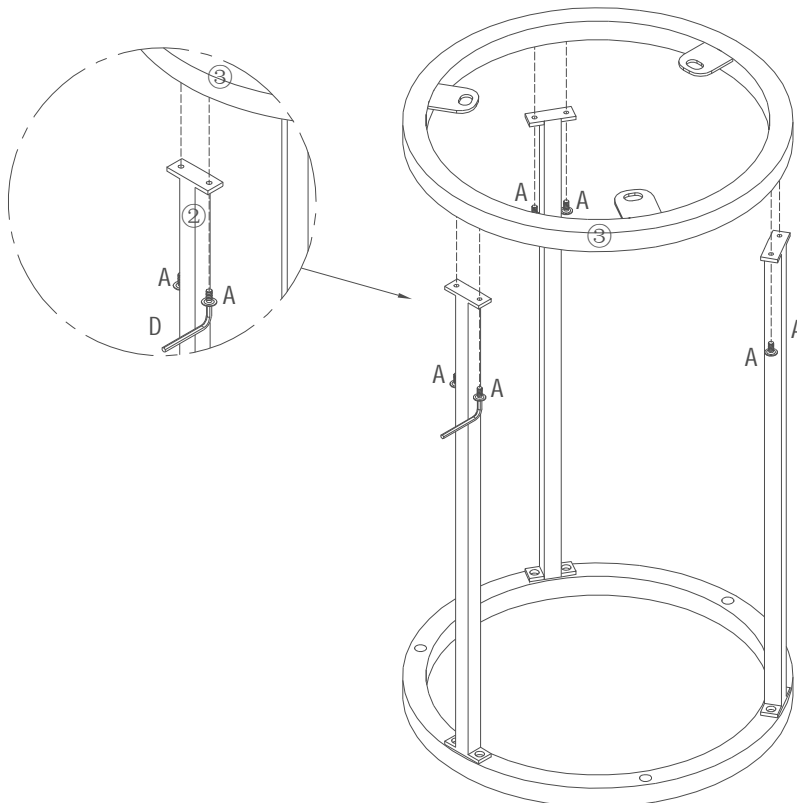




# Step1



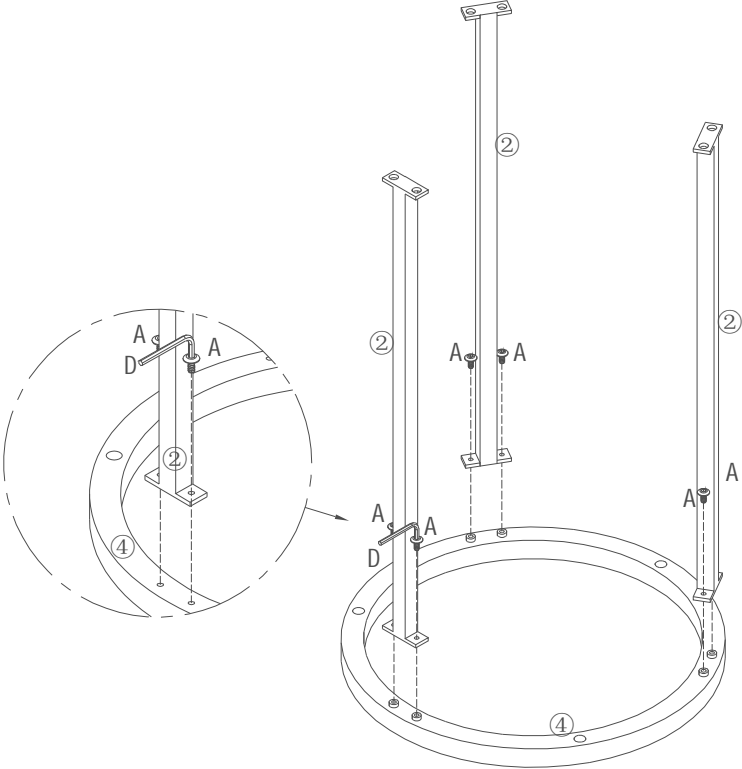
A	x6	D	x1
			



# Step2



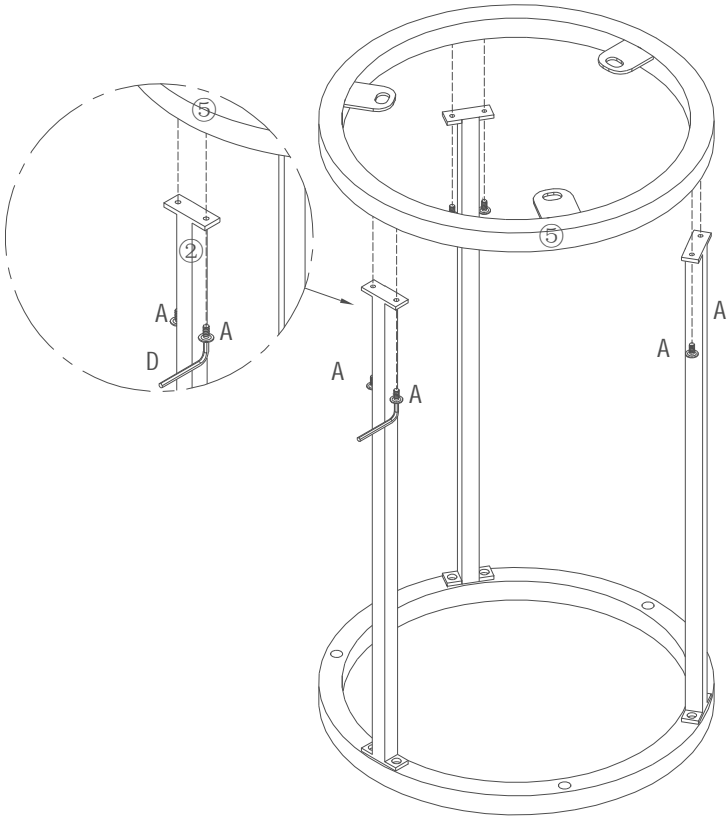
A	x6	D	x1
			



# Step3



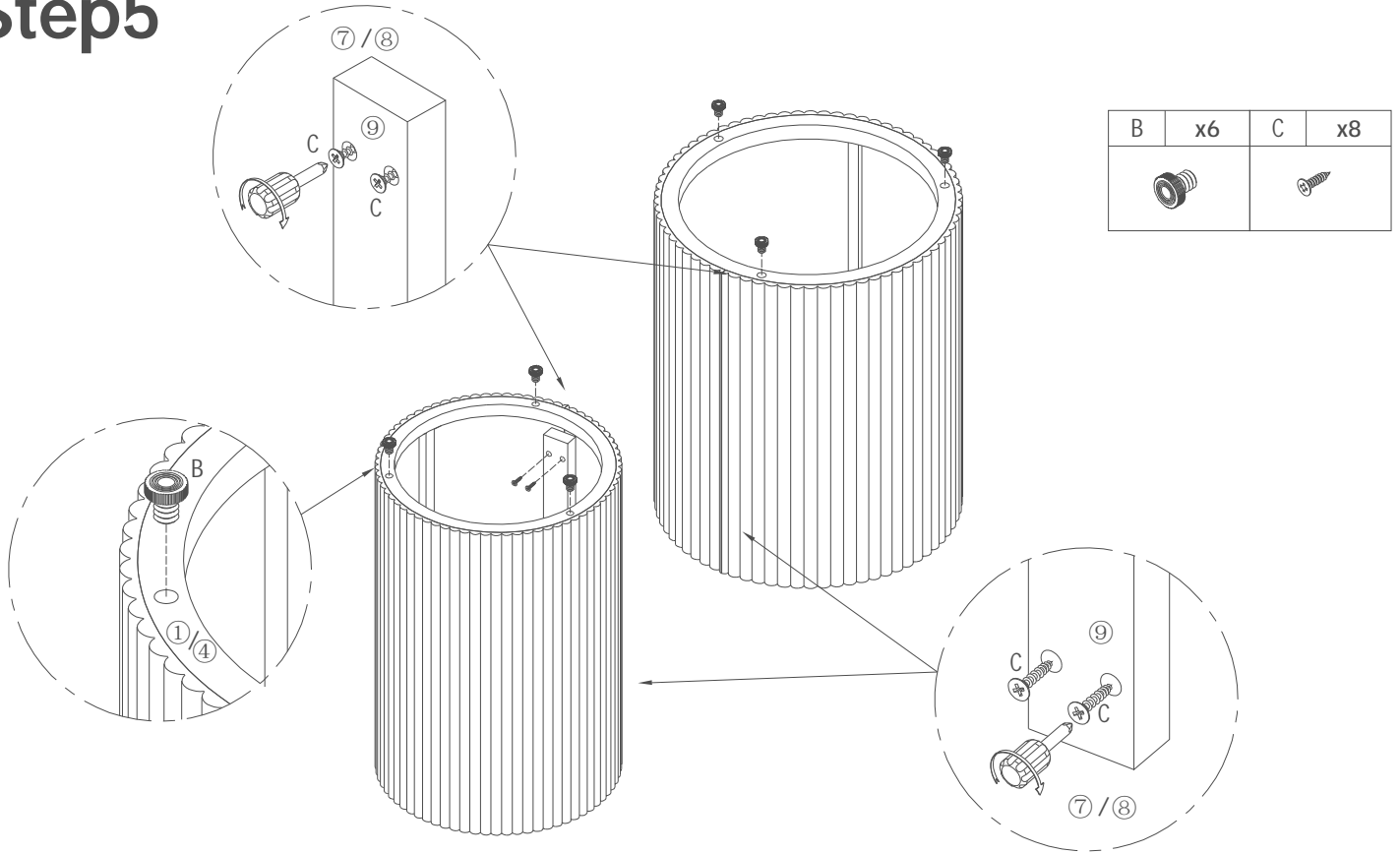
A	x6	D	x1
			

# Step4

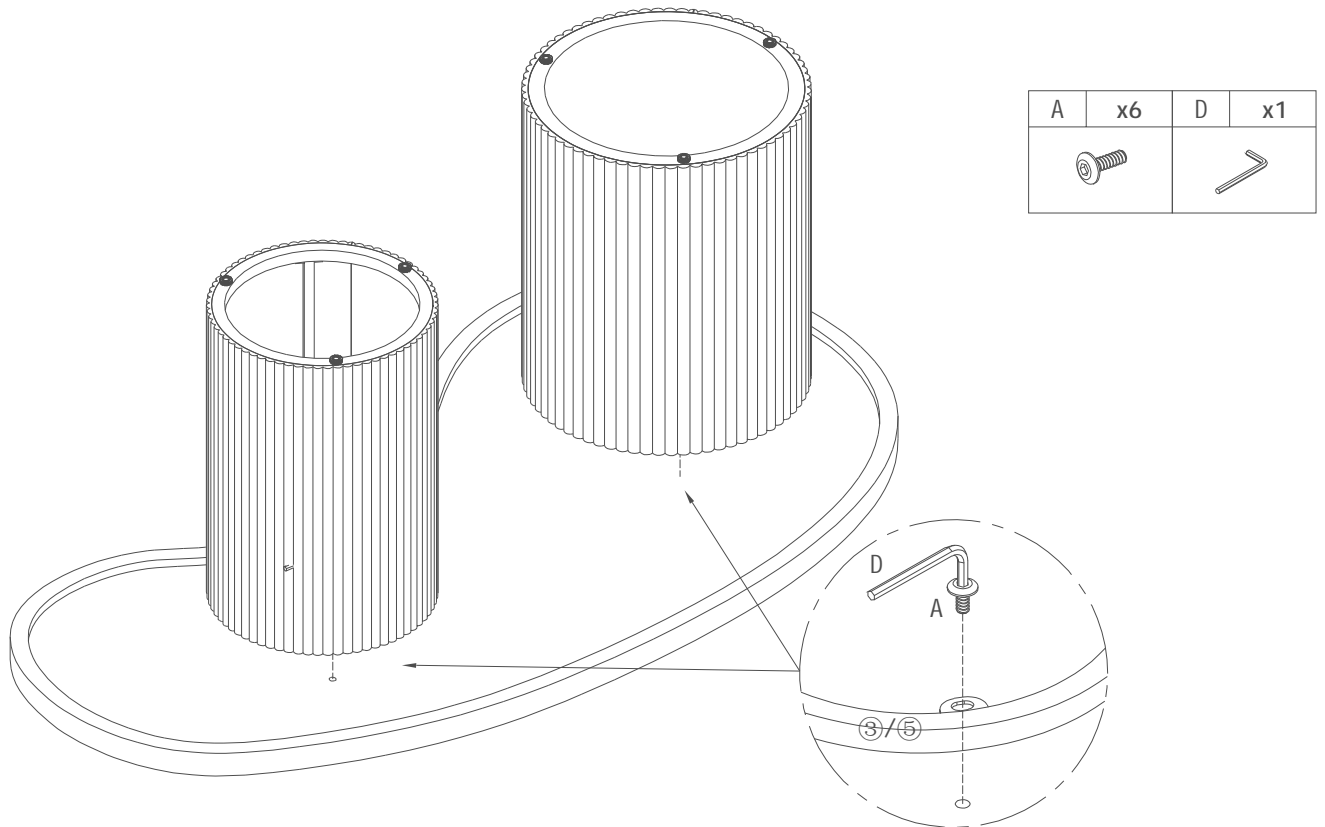


A	x6	D	x1
			

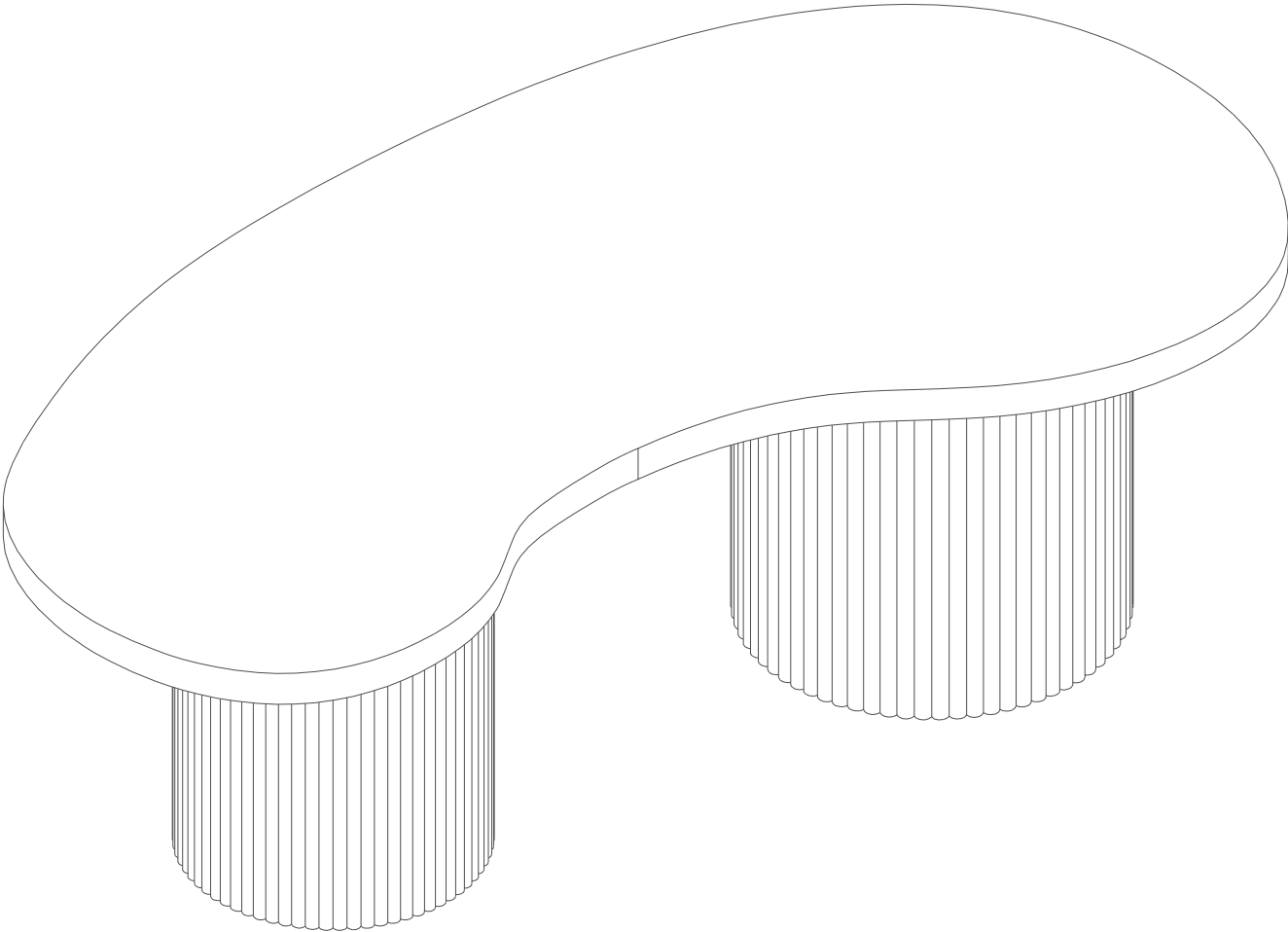
# Step 5



# Step 6



# Step7



# Proper Use

- DO NOT** use for commercial purposes
- DO NOT** use as a step stool or stand on table
- DO NOT** put hot serving liquid directly on the table top
- DO NOT** leave spilled liquid on the table top
- DO NOT** use table if damaged
- DO NOT** exceed weight limit
- DO NOT** make temporary repairs
- DO NOT** use outdoor