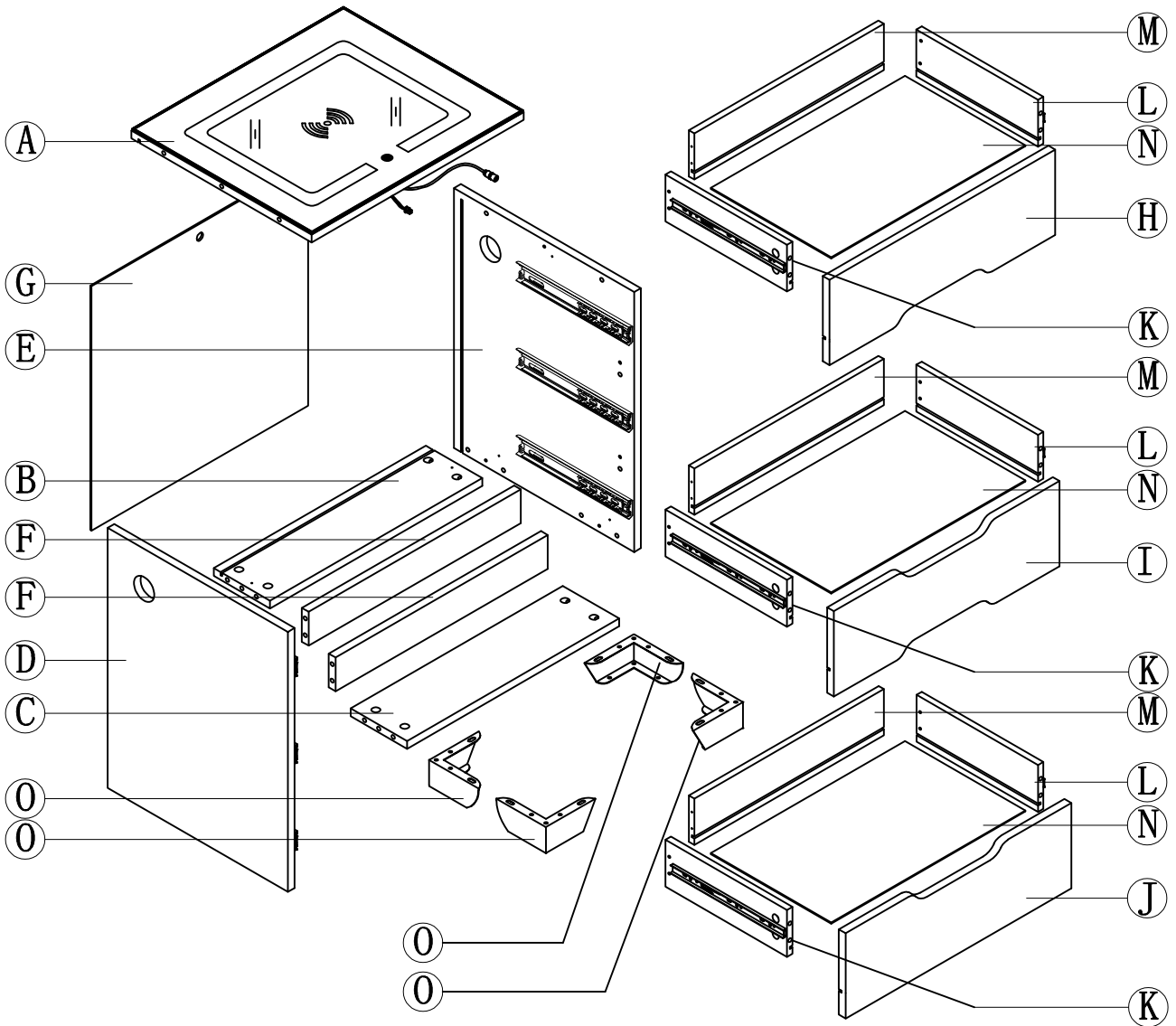
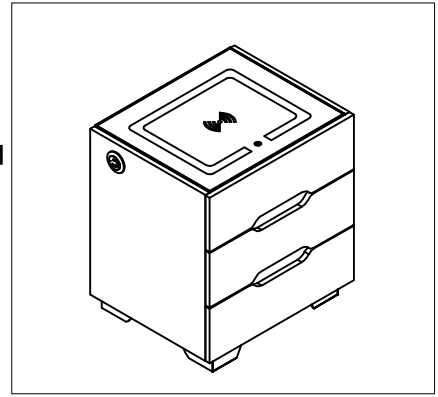


Parts Identification

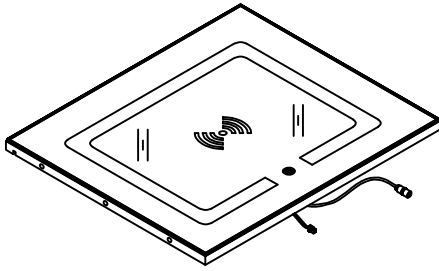
Not actual size

Please read completely through the instructions and verify that all listed parts and hardware are present before beginning assembly.

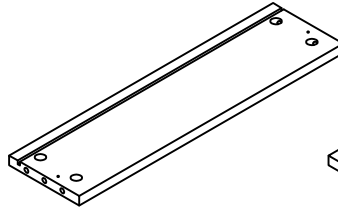


Parts Identification

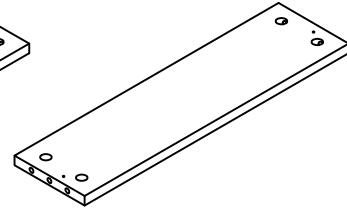
Not actual size



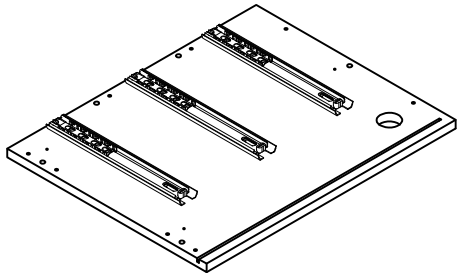
A - Top Panel
(Qty. 1)



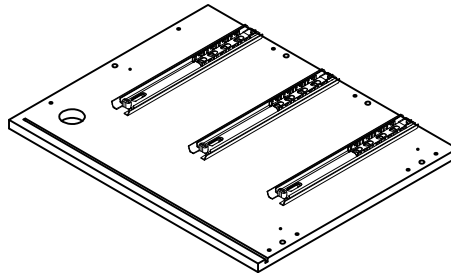
B - Rear bottom plate
(Qty. 1)



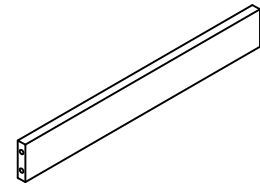
C - Front bottom plate
(Qty. 1)



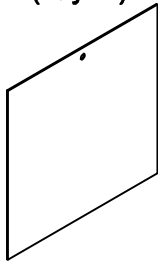
D - Left side Panel
(Qty. 1)



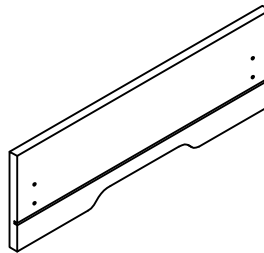
E - Right side Panel
(Qty. 1)



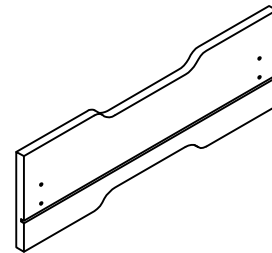
F - Front brace
(Qty. 2)



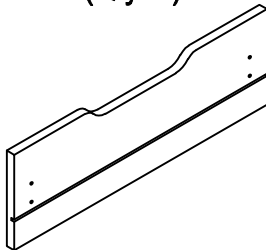
G - Back Panel
(Qty. 1)



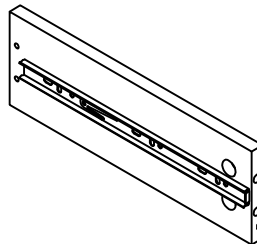
H - Upper drawer front panel
(Qty. 1)



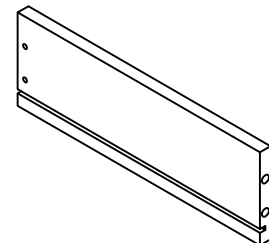
I - Middle drawer front panel
(Qty. 1)



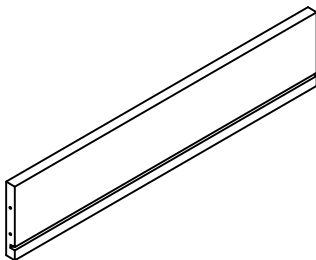
J - Lower drawer front panel
(Qty. 1)



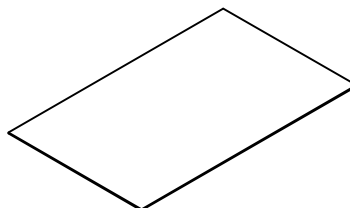
K - Drawer Left Side Panel
(Qty. 3)



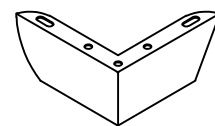
L - Drawer Right Side Panel
(Qty. 3)



M - Drawer Back Panel
(Qty. 3)



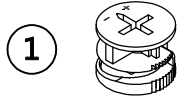
N - Drawer Bottom Panel
(Qty. 3)



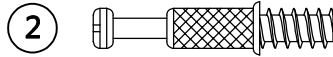
O - Iron foot
(Qty. 4)

Parts and Hardware List

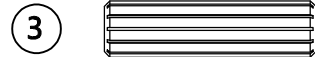
Please read completely through the instructions and verify that all listed parts and hardware are present before beginning assembly.



1
15 x 12 mm
Cam Lock
(Qty. 16+1 extra)



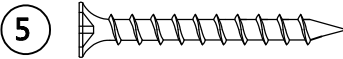
2
6 x 34 mm
Cam Bolts
(Qty. 28+1 extra)



3
M7.8 x 30 mm
Wood Dowel
(Qty. 10+1 extra)



4
15 x 9 mm
Cam Lock
(Qty. 12+1 extra)



5
M4 x 38mm
Flat Head Screw
(Qty. 12+1 extra)



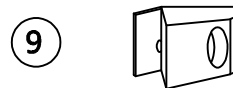
6
M3.5 x 12 mm
Wood Screw
(Qty. 16+1 extra)



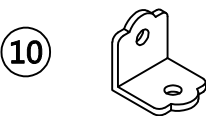
7
M3 x 12 mm
Wood Screw
(Qty. 15+1 extra)



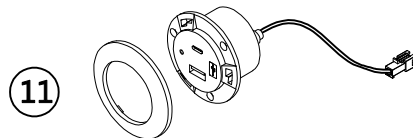
8
M3 x 17mm
Flat Head Screw
(Qty. 4+1)



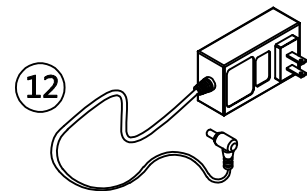
9
Bevel fixed buckle
(Qty. 4)



10
Angle iron
(Qty. 6)



11
Socket
(Qty. 1 extra)



12
Adapter
(Qty. 1)



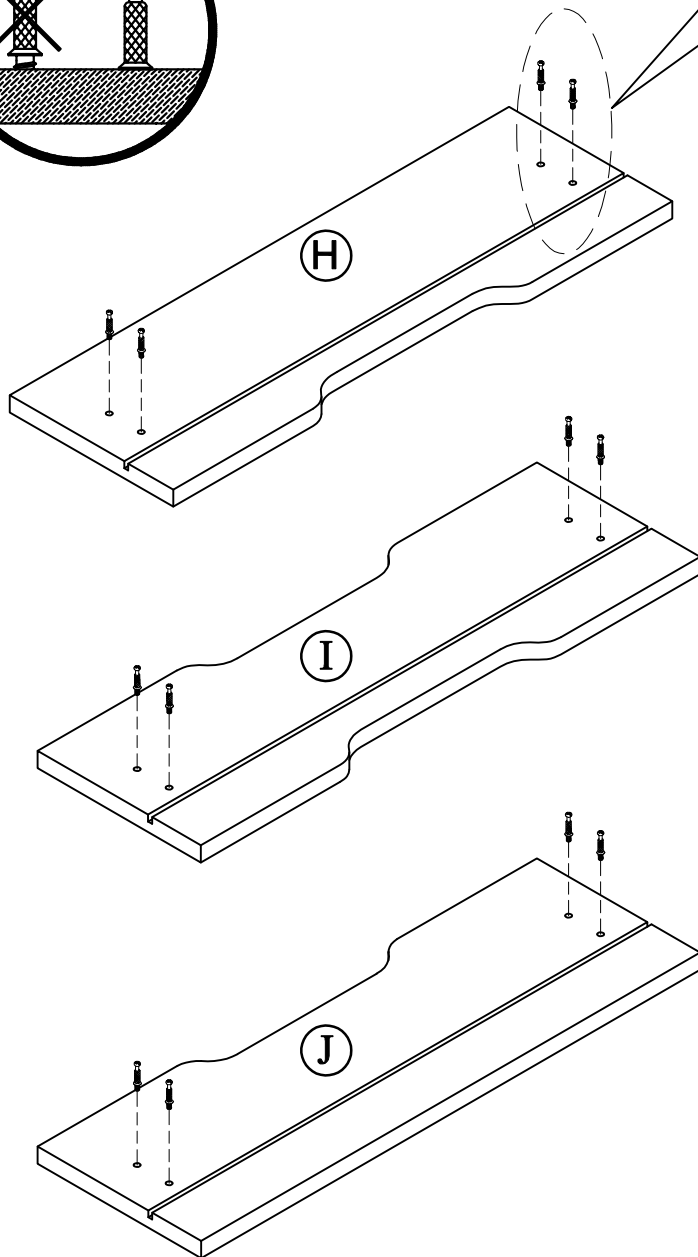
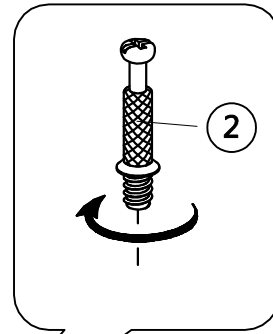
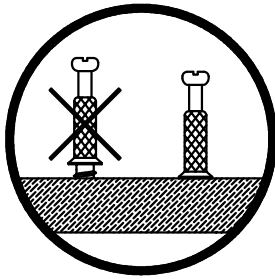
13
Plastic Cap
(Qty. 1 extra)

Tools required(not provided): Phillips screwdriver

Assembly Instructions


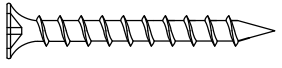
Step 1

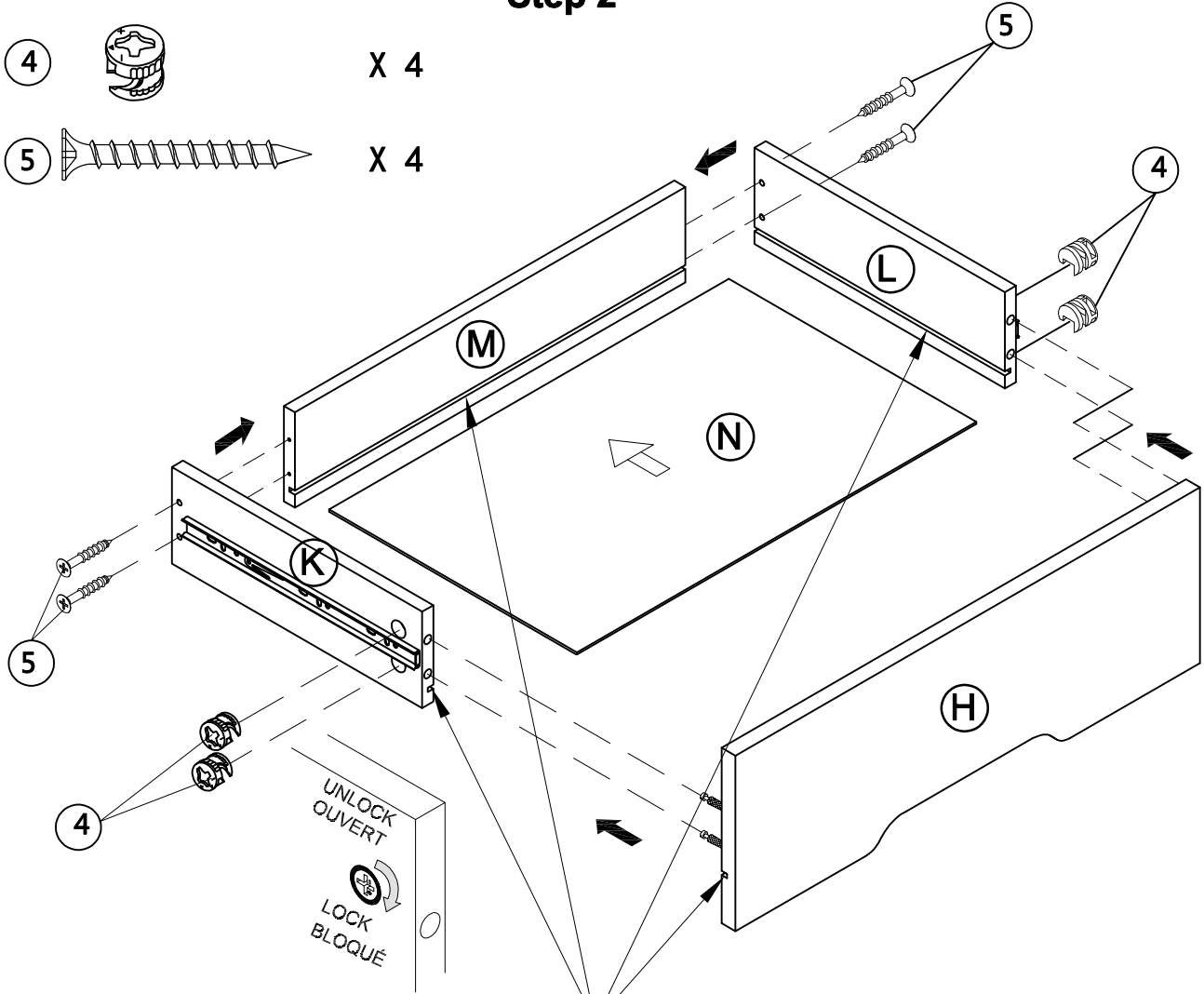
②  X 12



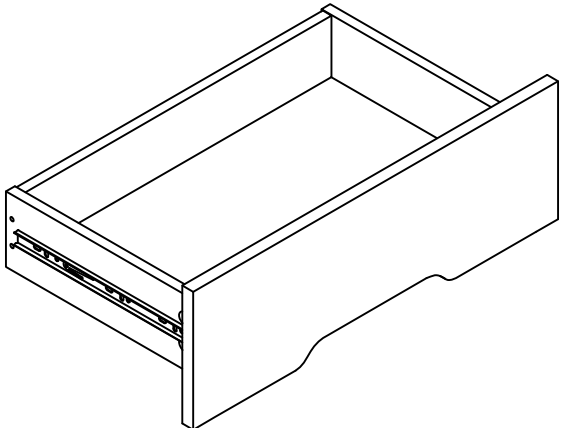
Assembly Instructions

Step 2

- ④  X 4
- ⑤  X 4



Grooves line up with each other and face inward

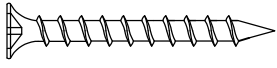


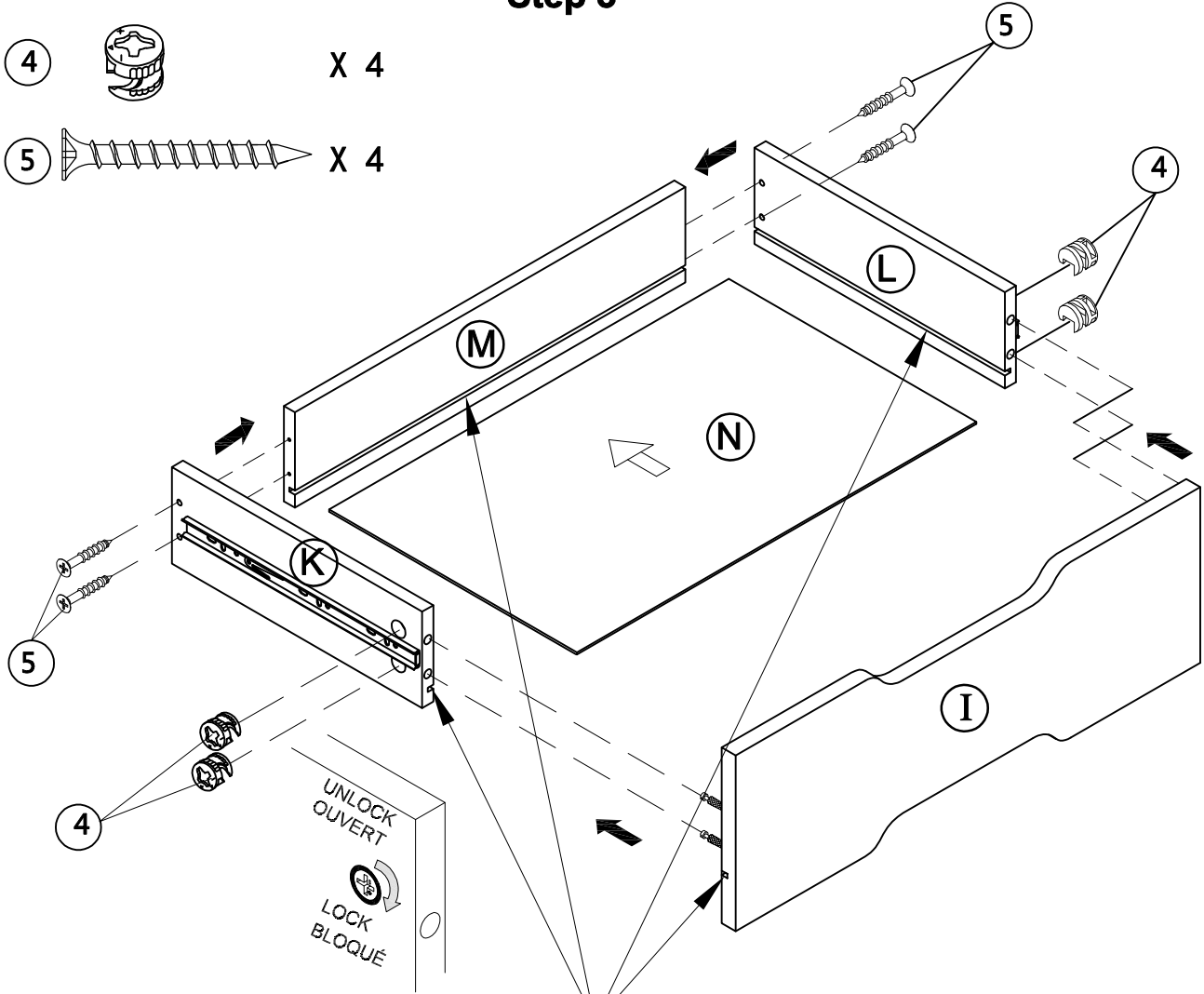
The assembled finished product is displayed

Assembly Instructions

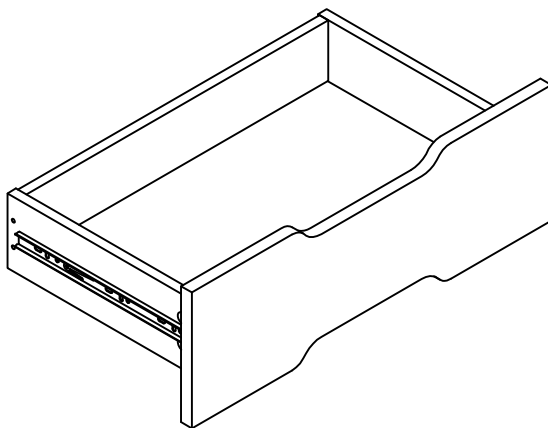
Step 3

④  X 4

⑤  X 4



Grooves line up with each other and face inward

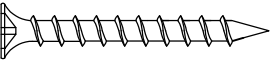


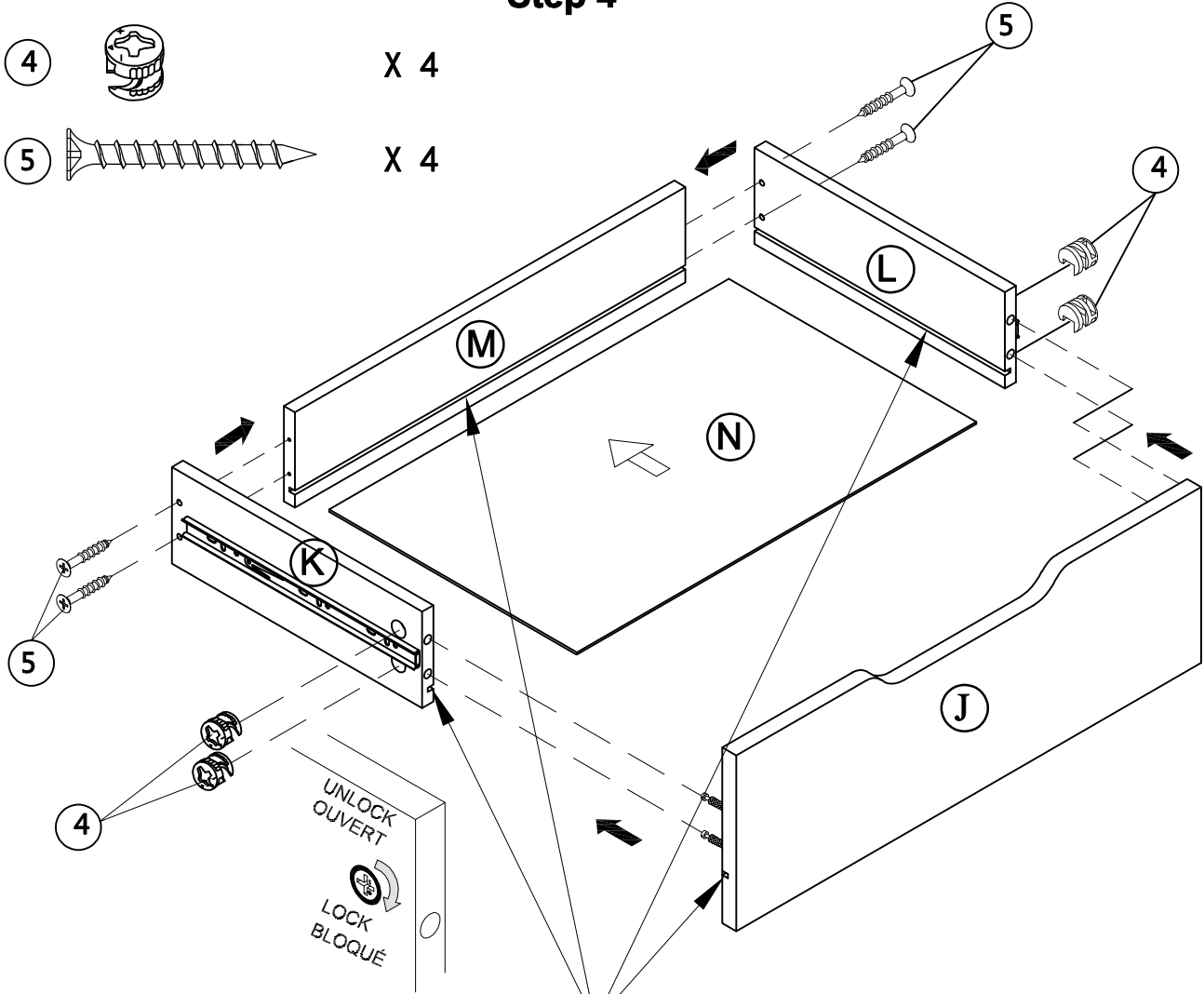
The assembled finished product is displayed

Assembly Instructions

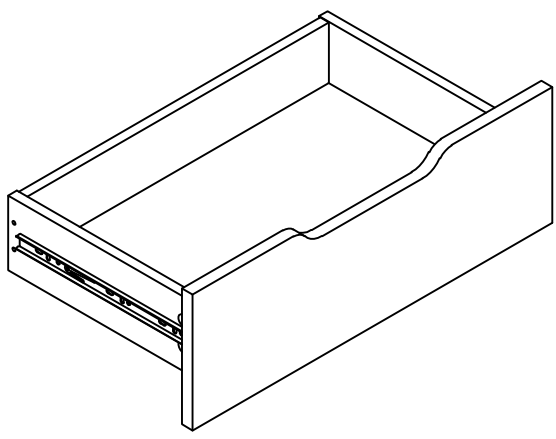
Step 4

④  X 4

⑤  X 4



Grooves line up with each other and face inward

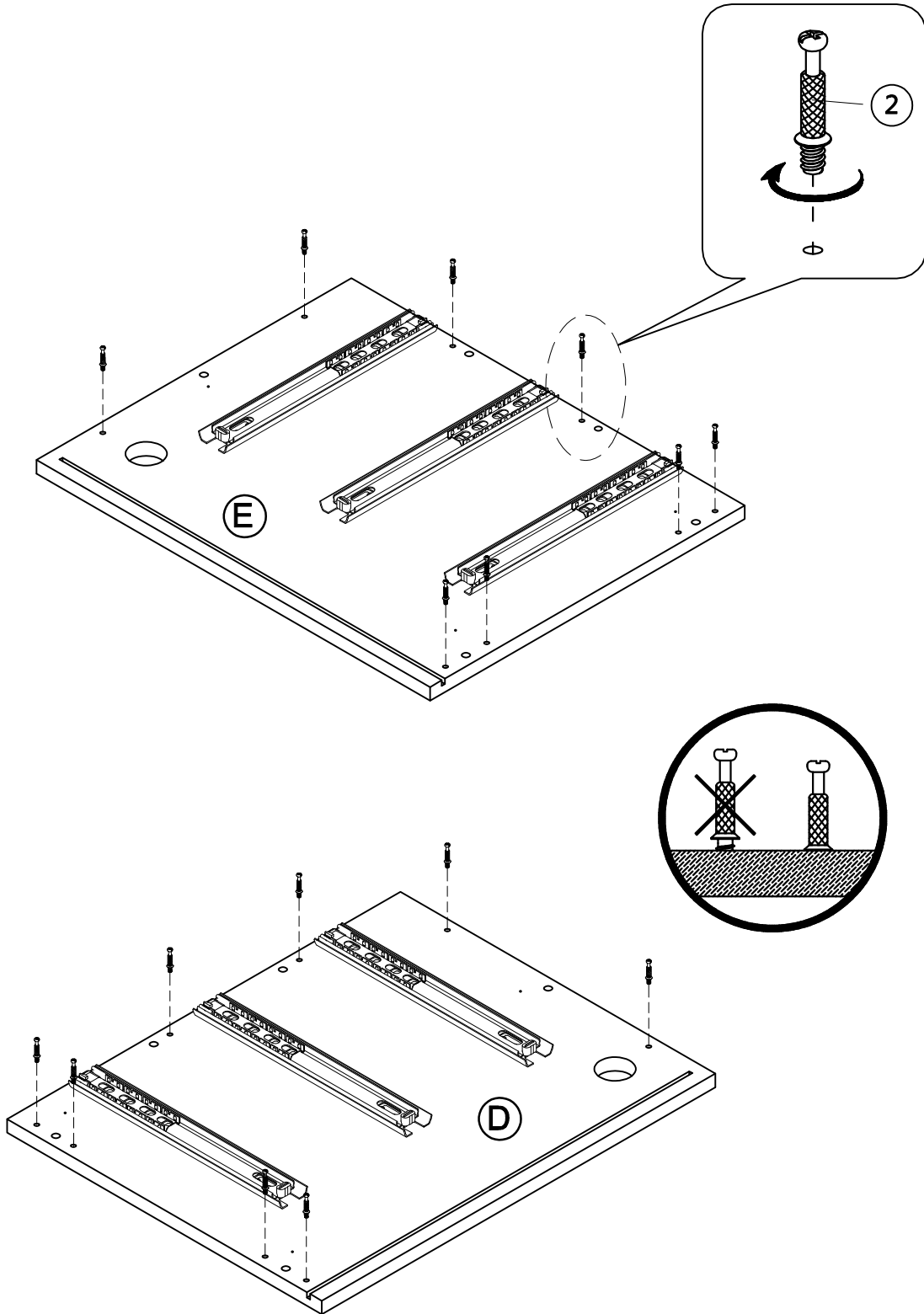


The assembled finished product is displayed

Assembly Instructions


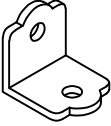
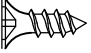
Step 5

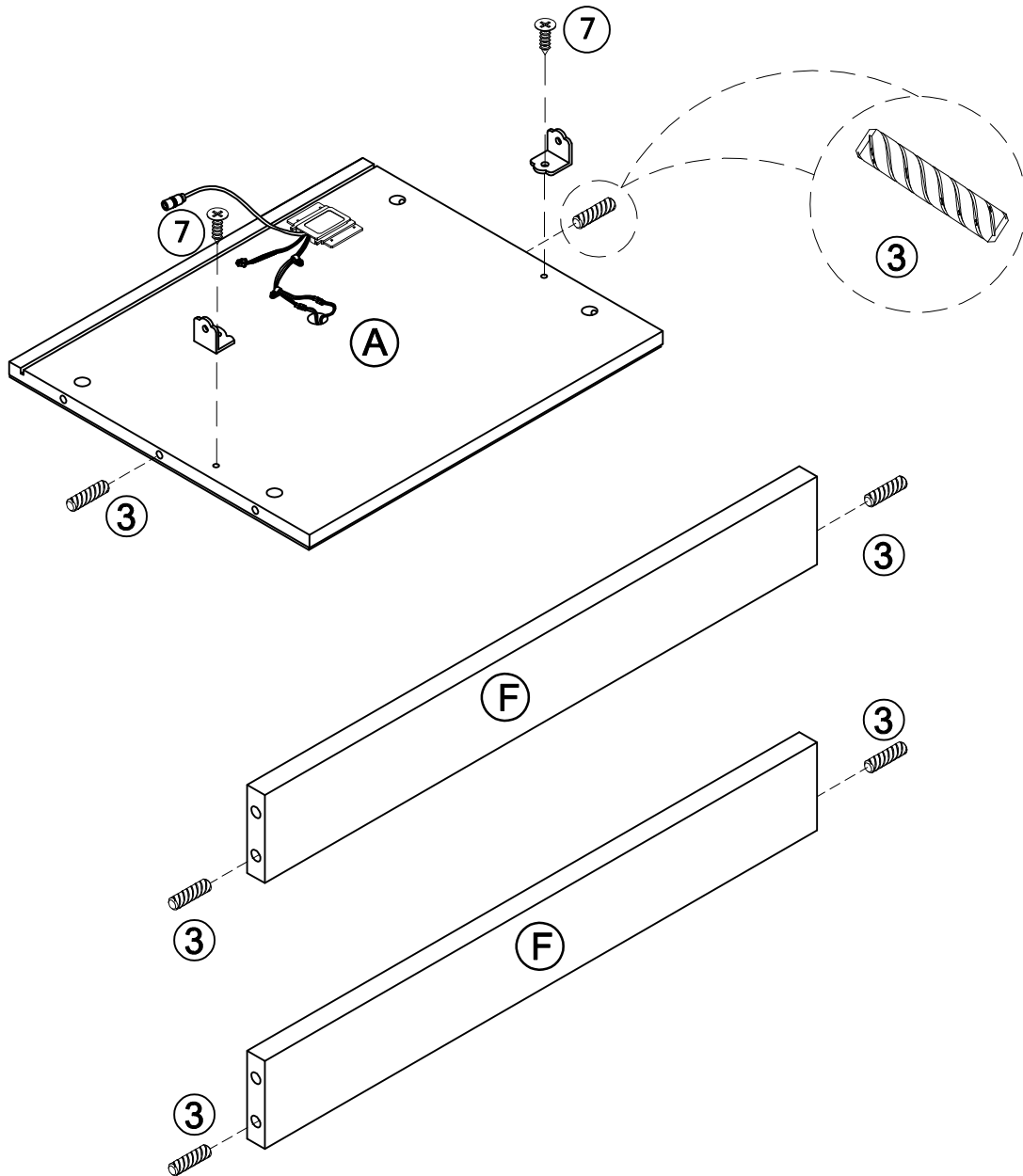
②  X 16



Assembly Instructions

Step 6

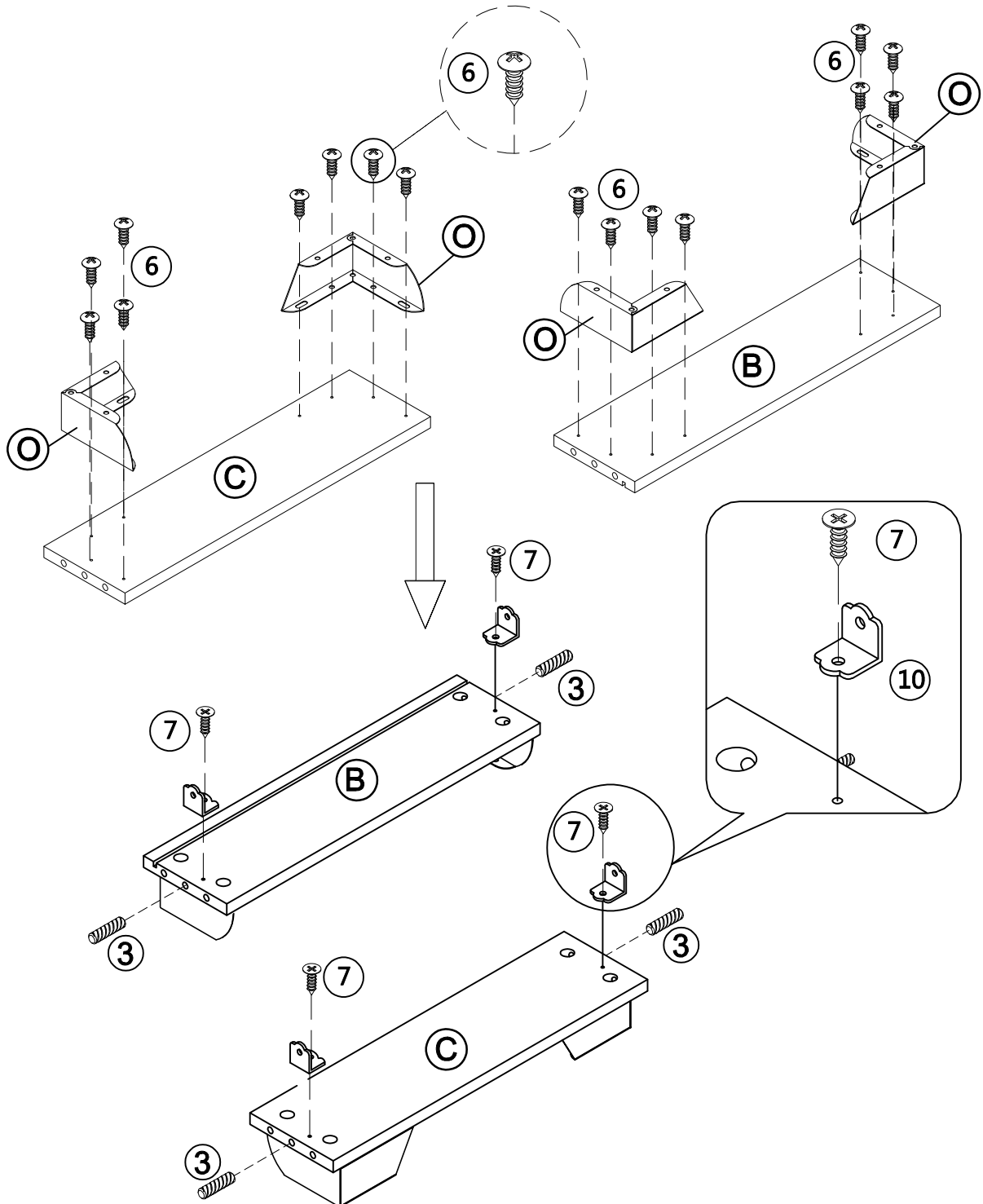
- ③  X 6
- ⑩  X 2
- ⑦  X 2



Assembly Instructions

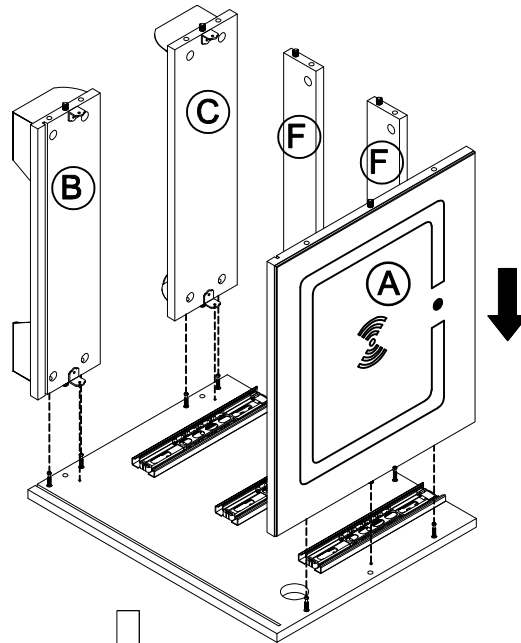
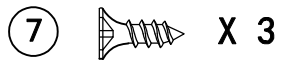
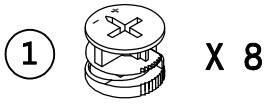
Step 7

- | | | | | | |
|----|---|-----|---|---|------|
| 3 |  | X 4 | 6 |  | X 16 |
| 10 |  | X 4 | 7 |  | X 4 |

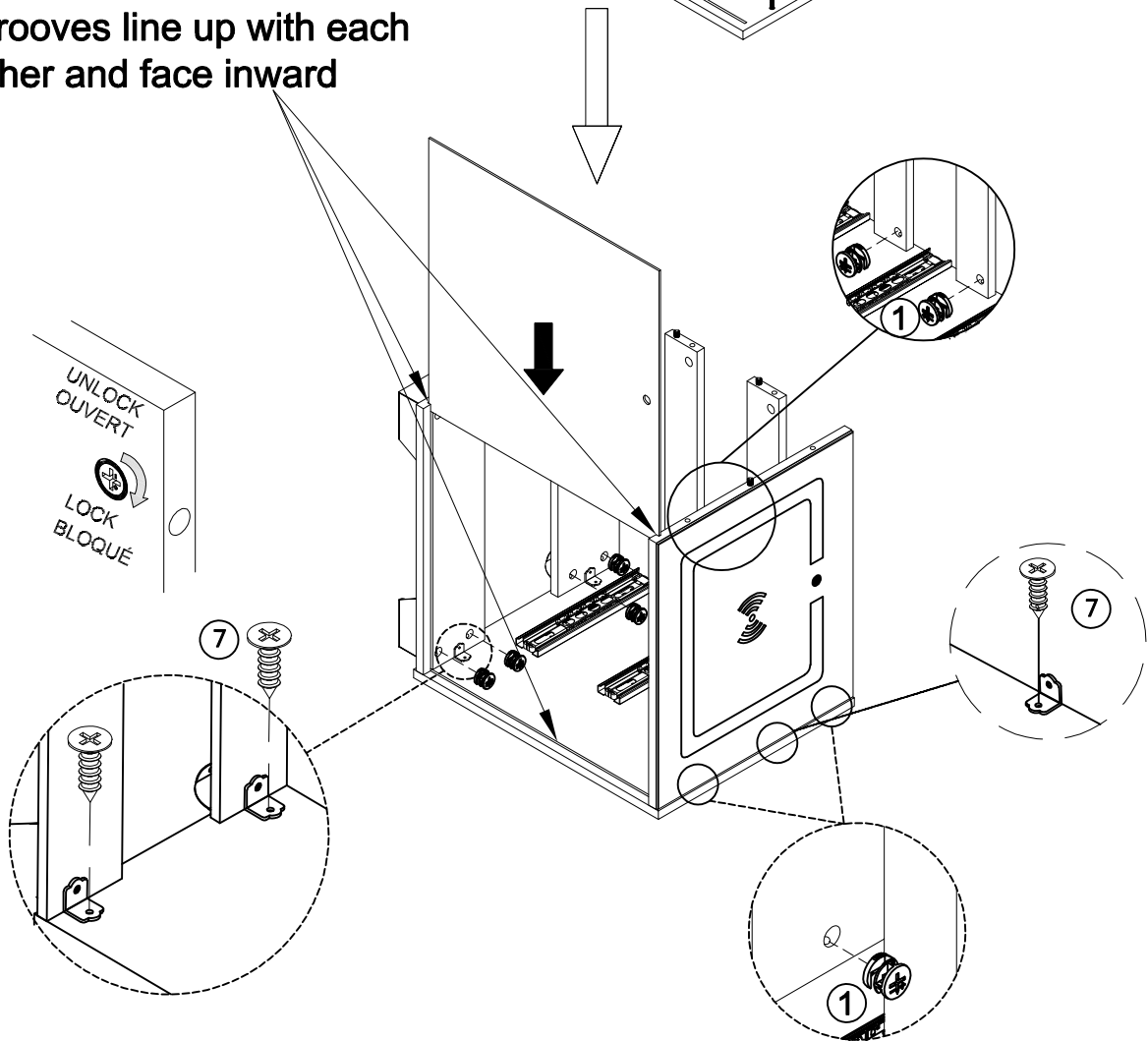


Assembly Instructions

Step 8

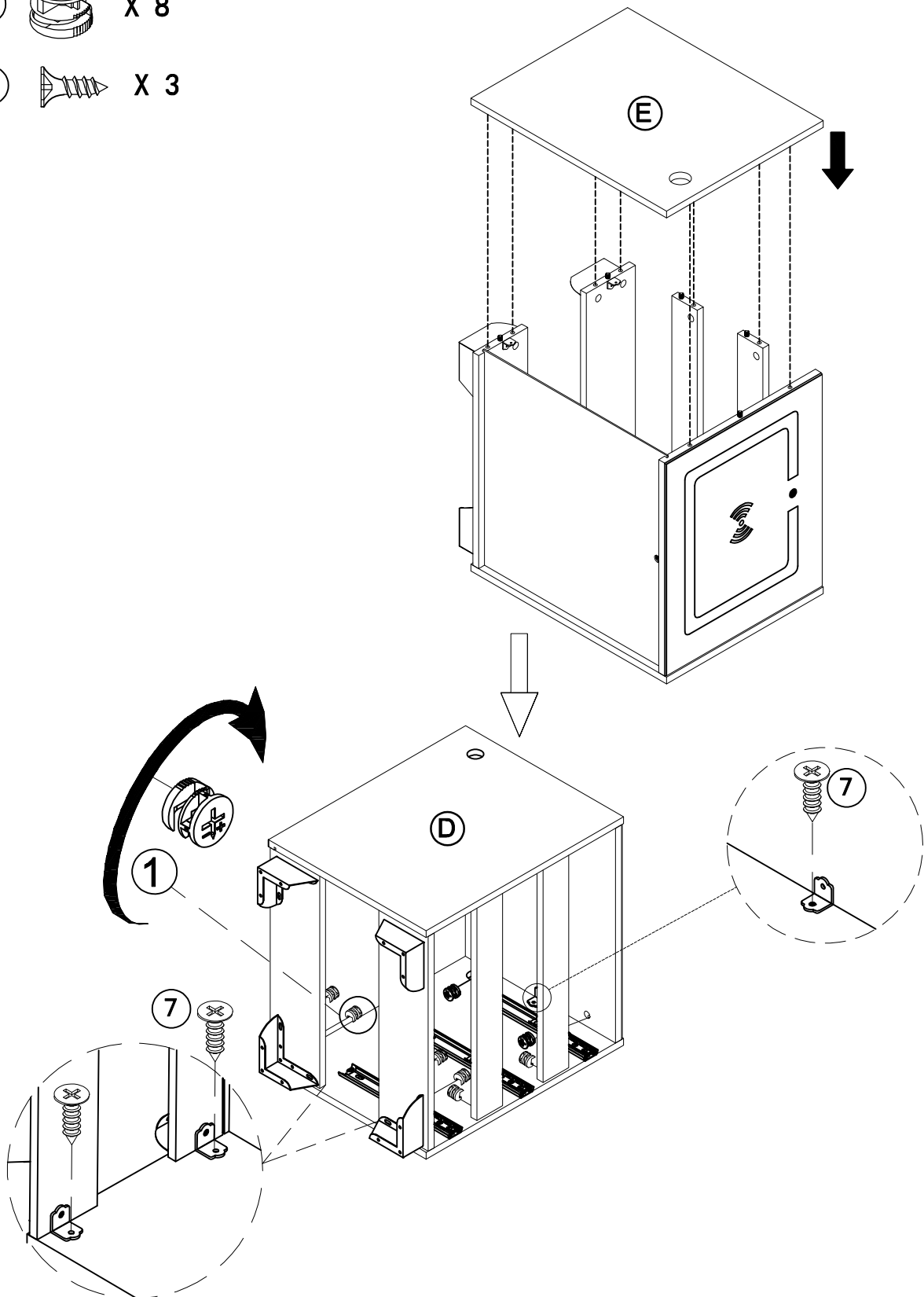
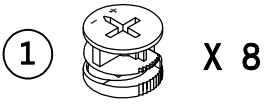


Grooves line up with each other and face inward



Assembly Instructions

Step 9



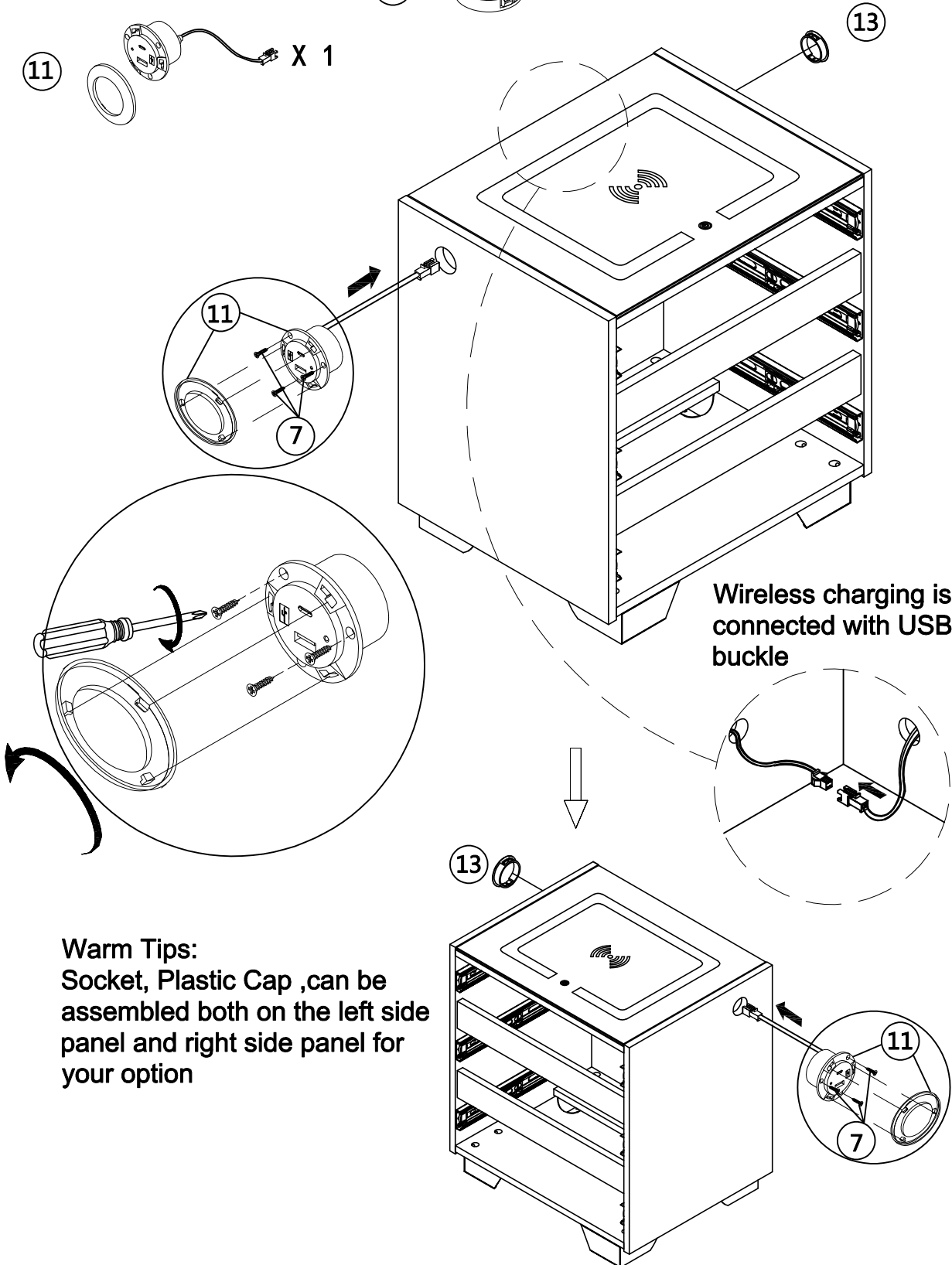
Assembly Instructions

Step 10

7 X 3

13 X 1

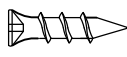
11 X 1

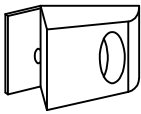


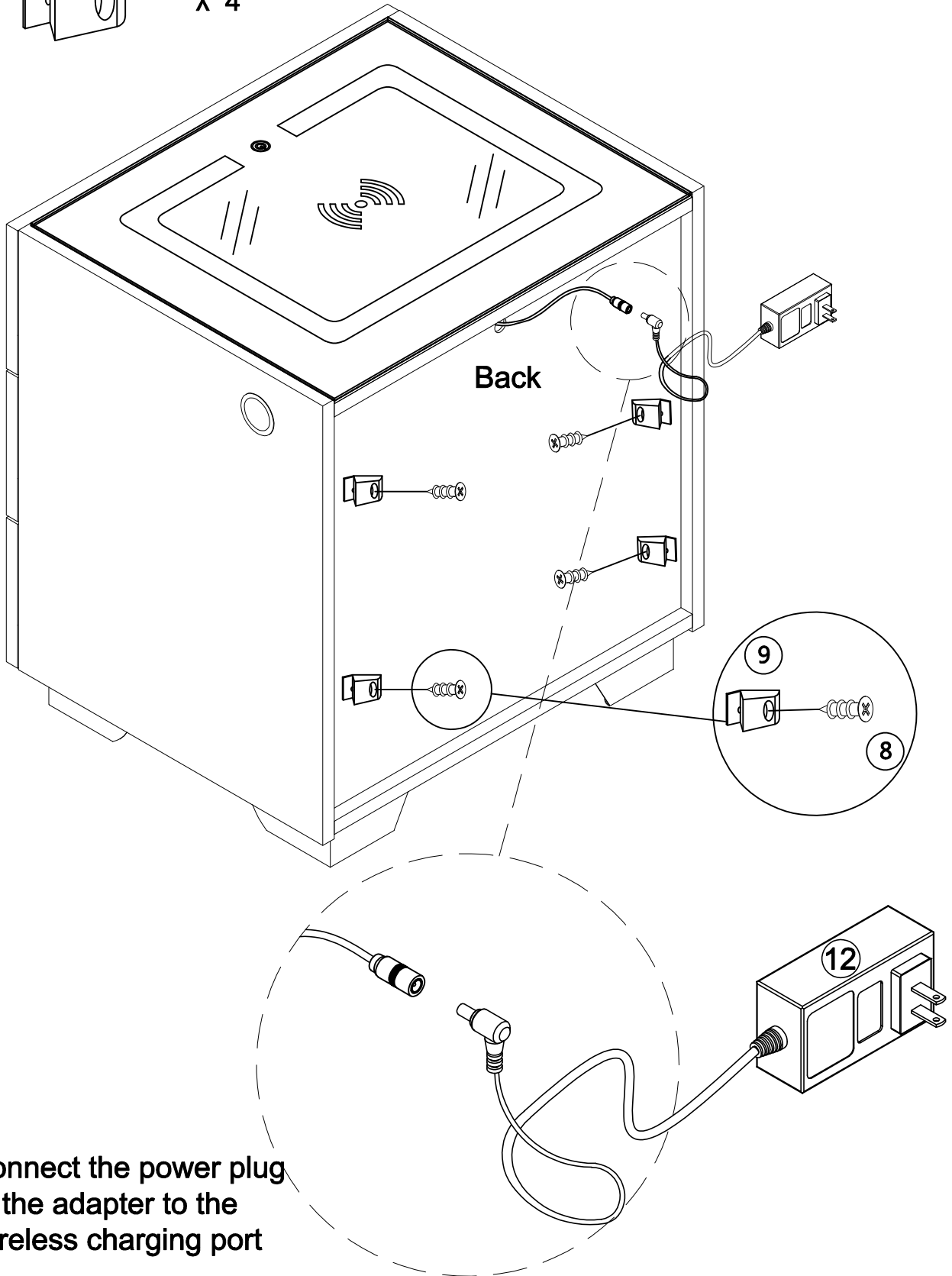
Warm Tips:
Socket, Plastic Cap, can be assembled both on the left side panel and right side panel for your option

Assembly Instructions

Step 11

8  X 4

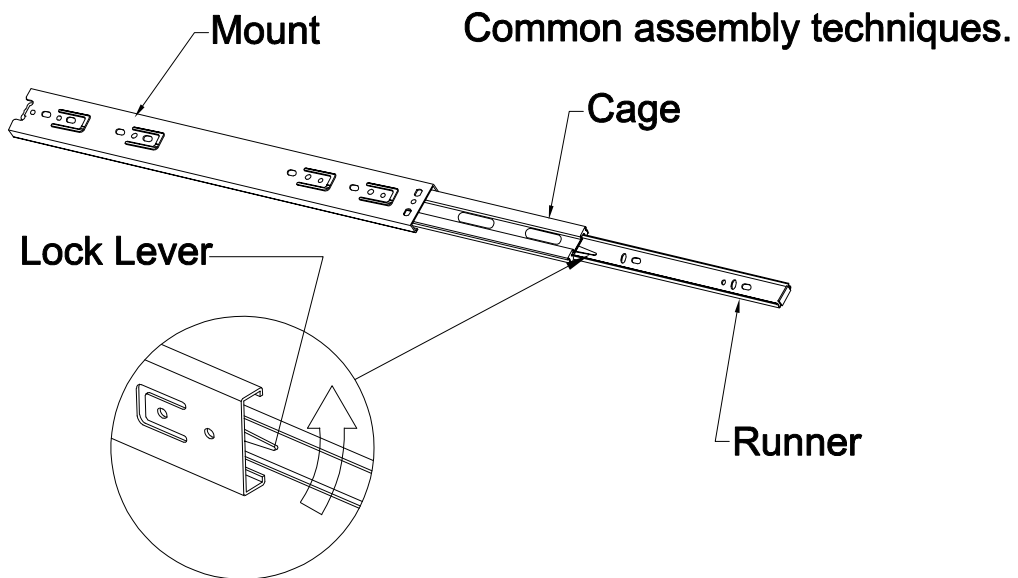
9  X 4



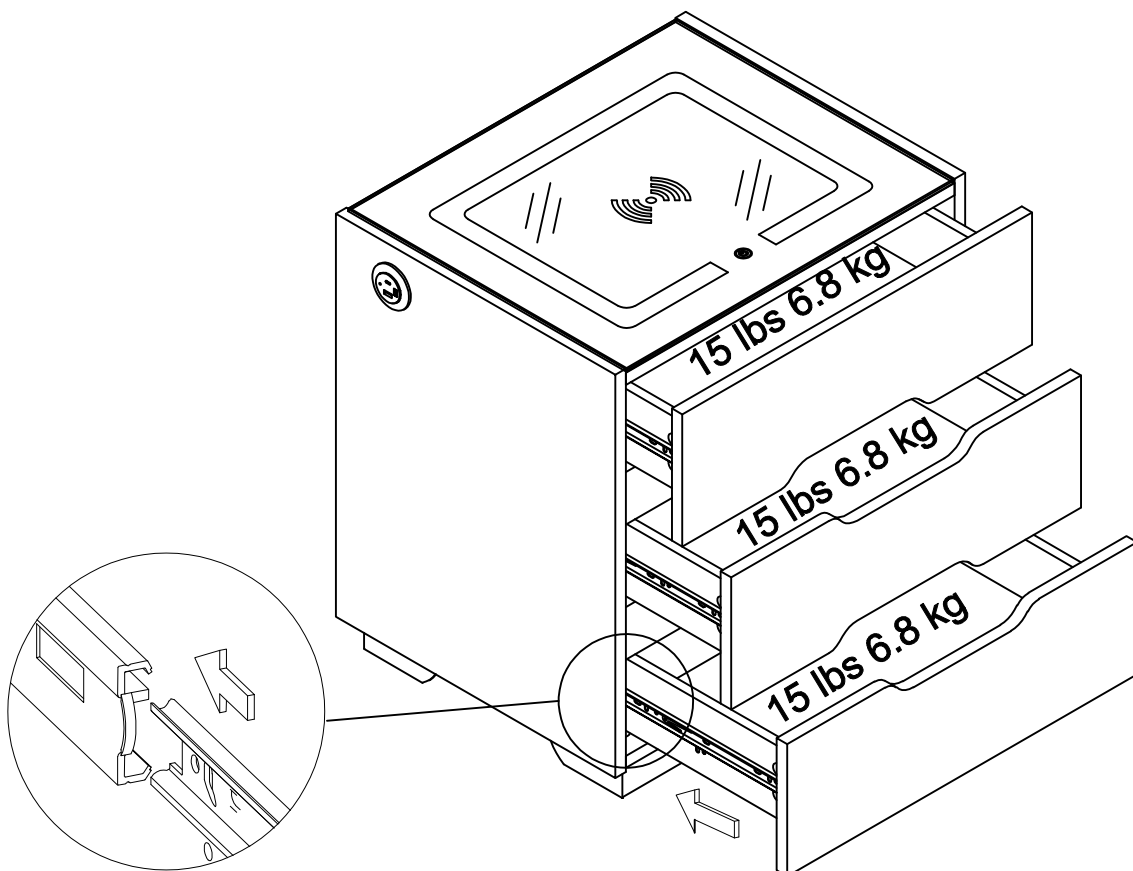
Connect the power plug of the adapter to the wireless charging port

Assembly Instructions

Step 12



This unit has been designed to support the maximum loads shown. Exceeding these load limits could cause sagging, instability, product collapse, and/or serious injury.



Warning: Risk of injury to persons - do not place a television on this furniture. This furniture is not approved for use with a television.

Enjoy your smart charging bedside table with light

White light when press once

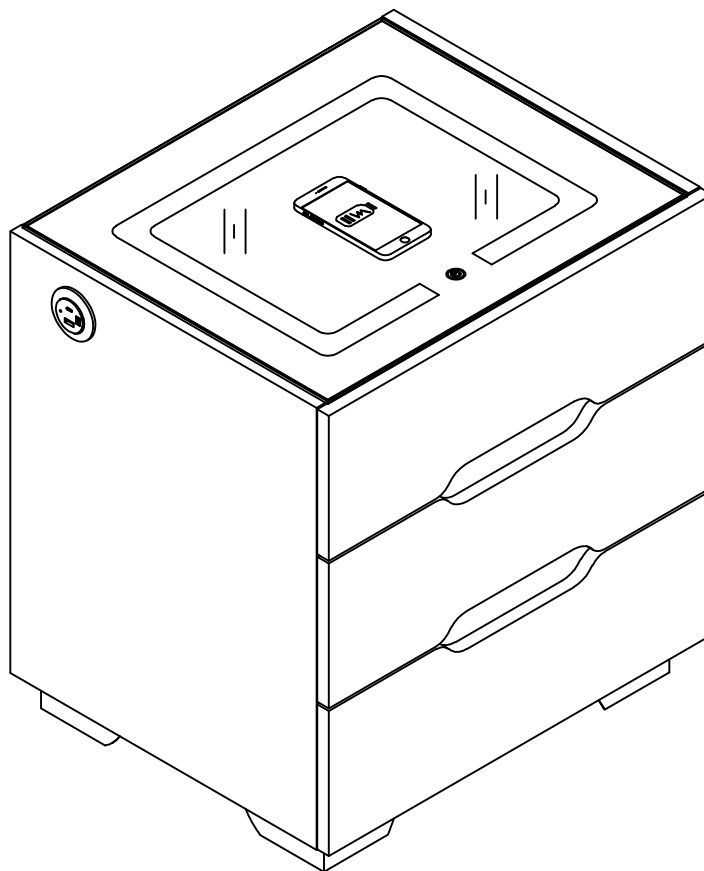
Warm light when press twice

color light when press three times

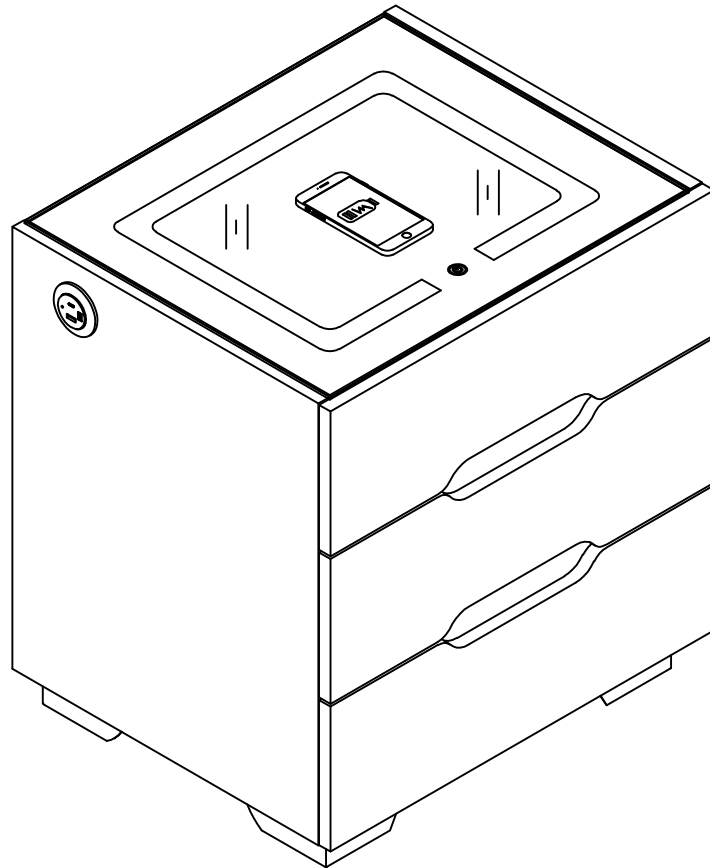
close when press four times

Adjust the brightness of the light when hold down for three seconds

The phone can be charged in the middle



If you have any questions regarding assembly or if parts are missing, DO NOT return this item to the store where it was purchased. Please E-mail your request to hecheng88888@outlook.com and have your instructions and parts list ready to provide the model name, part name.



Product Specification Input Voltage: DC 5V/ DC 9V/ DC 12V

**Wireless Output : Apple (7.5W) 、 Samsung (10W) 、 HUAWEI (10W) 、
MI (10W)**

Frequency Range: 112kHz~205kHz

Wireless charging function cannot be charged Solution.

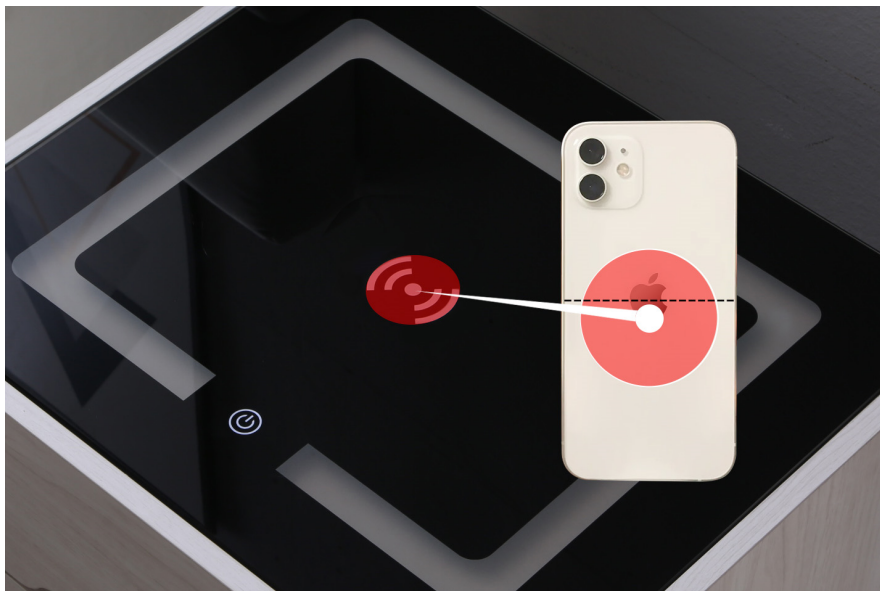
Check if the power is normally on, if only wireless charging does not work properly

1. You can unplug and wait for 60 seconds before re-inserting the product to see if it works properly, and you need to confirm that the phone used comes with a wireless charging device

2. Phone case is too thick, remove the case and place the phone in the charging area again

3. Not aligned with the charging area, you need to wait 3-5S after aligning the area

Normal use of the charging area as shown in the picture



FCC Warning

This equipment generates, uses and can radiate radio frequency energy and, if not installed and used in accordance with the instructions, may cause harmful interference to radio communications. However, there is no guarantee that interference will not occur in a particular installation. If this equipment does cause harmful interference to radio or television reception, which can be determined by turning the equipment off and on, the user is encouraged to try to correct the interference by one or more of the following measures:

- Reorient or relocate the receiving antenna.
- Increase the separation between the equipment and receiver.
- Connect the equipment into an outlet on a circuit different from that to which the receiver is connected.
- Consult the dealer or an experienced radio/TV technician for help.

ISED Canada Statement:

IC warning:

This device contains licence-exempt transmitter(s)/receiver(s)/ that comply with Innovation Science and Economic Development Canada's licence-exempt RSS(s). Operation is subject to the following two conditions:

- 1) this device may not cause interference and
- 2) this device must accept any interference, including interference that may cause undesired operation of the device.

Radiation Exposure: This equipment complies with Canada radiation exposure limits set forth for an uncontrolled environment; To maintain compliance with IC's RF Exposure guidelines, This equipment should be installed and operated with minimum distance of 10cm the radiator your body. This device and its antenna(s)

must not be co-located or operation in conjunction with any other antenna or transmitter.

Déclaration de ISED Canada :

Cet appareil contient des transmetteur (s) / récepteur (s) sans licence / conformes à l'innovation RSS exemptes de licence de Sciences et Développement économique

Canada. L'opération est sous réserve des deux conditions suivantes :

- 1) cet appareil ne peut pas causer d'interférences et
- 2) cet dispositif doit accepter toute interférence, y compris peut provoquer le fonctionnement indésirable de l'appareil.

Exposition aux rayonnements : Cet équipement est conforme aux radiations du Canada limites d'exposition pour un environnement incontrôlé noncé d'exposition RF Pour maintenir le respect des guides d'exposition RF d'IC, l'équipement doit être installé et actionné avec une distance minimale de 10cm le radiateur

de votre corps. Cet appareil et ses antennes ne doivent pas être co-localisé ou en operation en conjunction avec toute autre antenne ou émetteur.