

Assembly Instructions

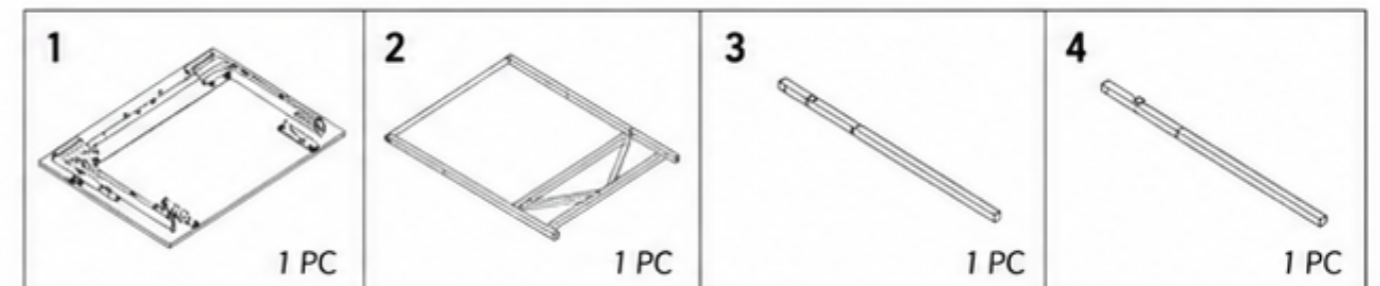
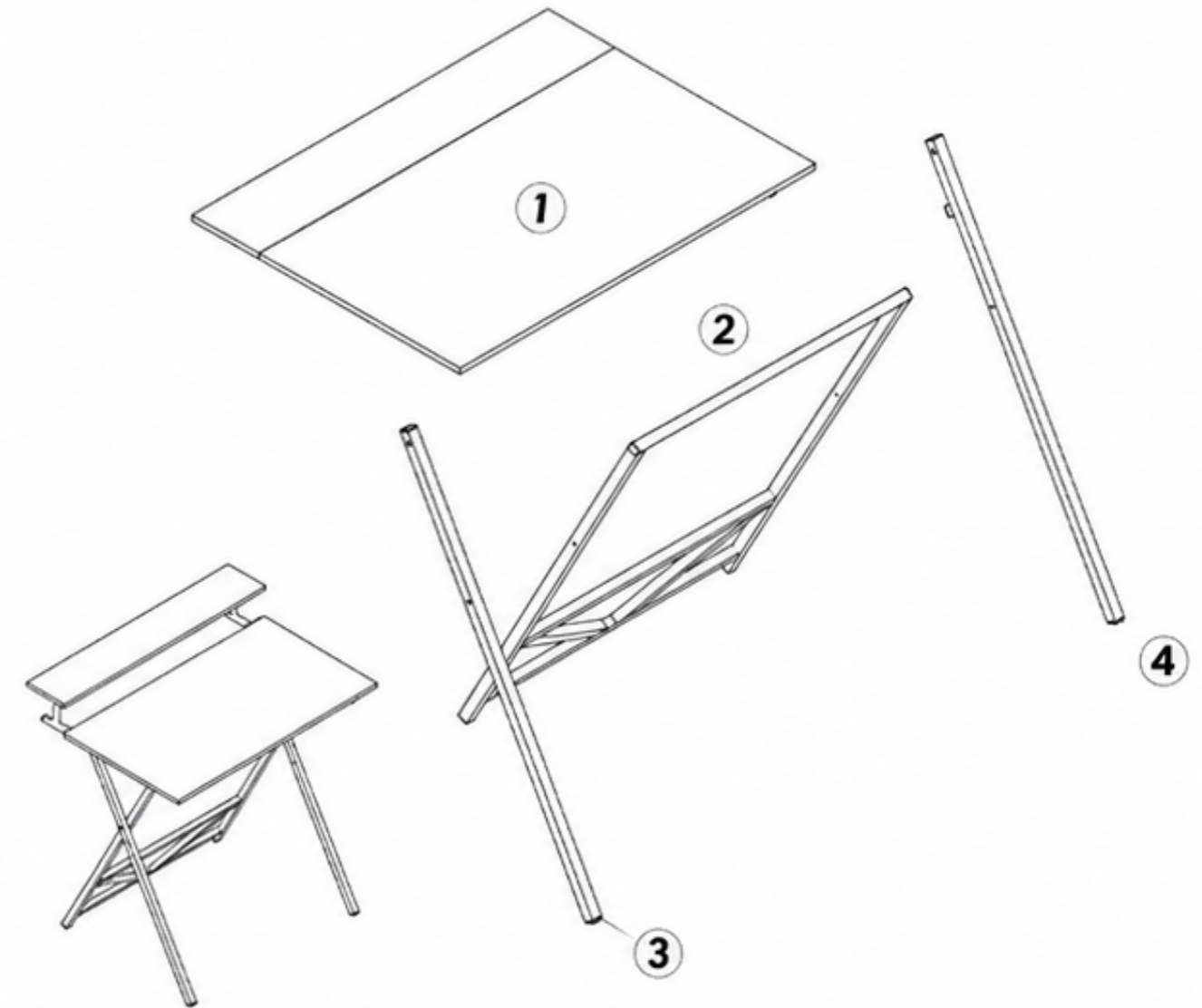
Wonderful Home Master



Wonderful
Home
Master




Parts List

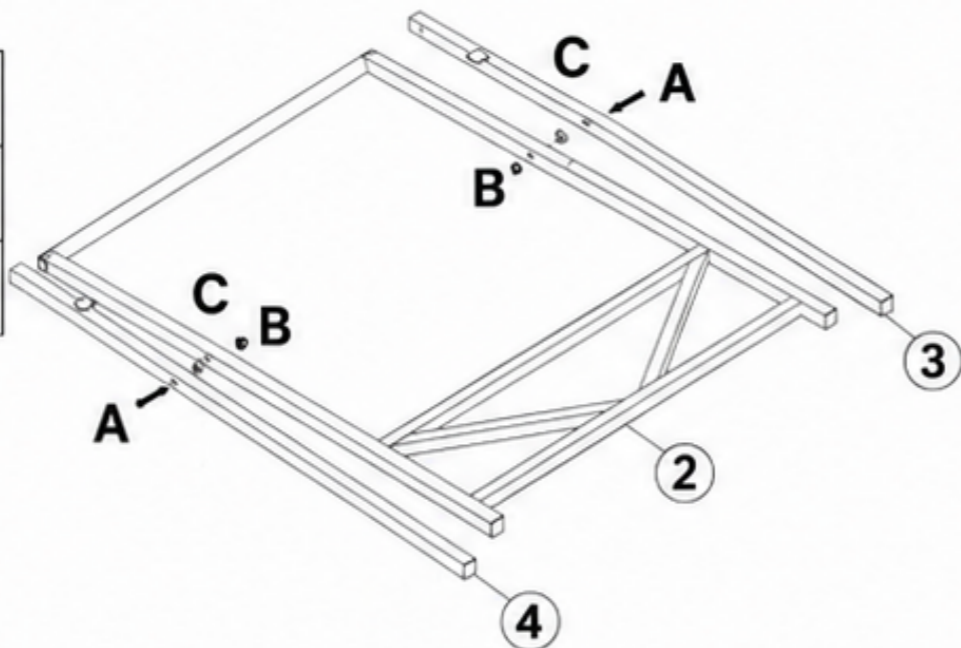
A		M6*55mm x2	D		M8*48mm x2
B		x4	E		M4 x1
C		x4	F		x1



Assembly Instructions

STEP 1

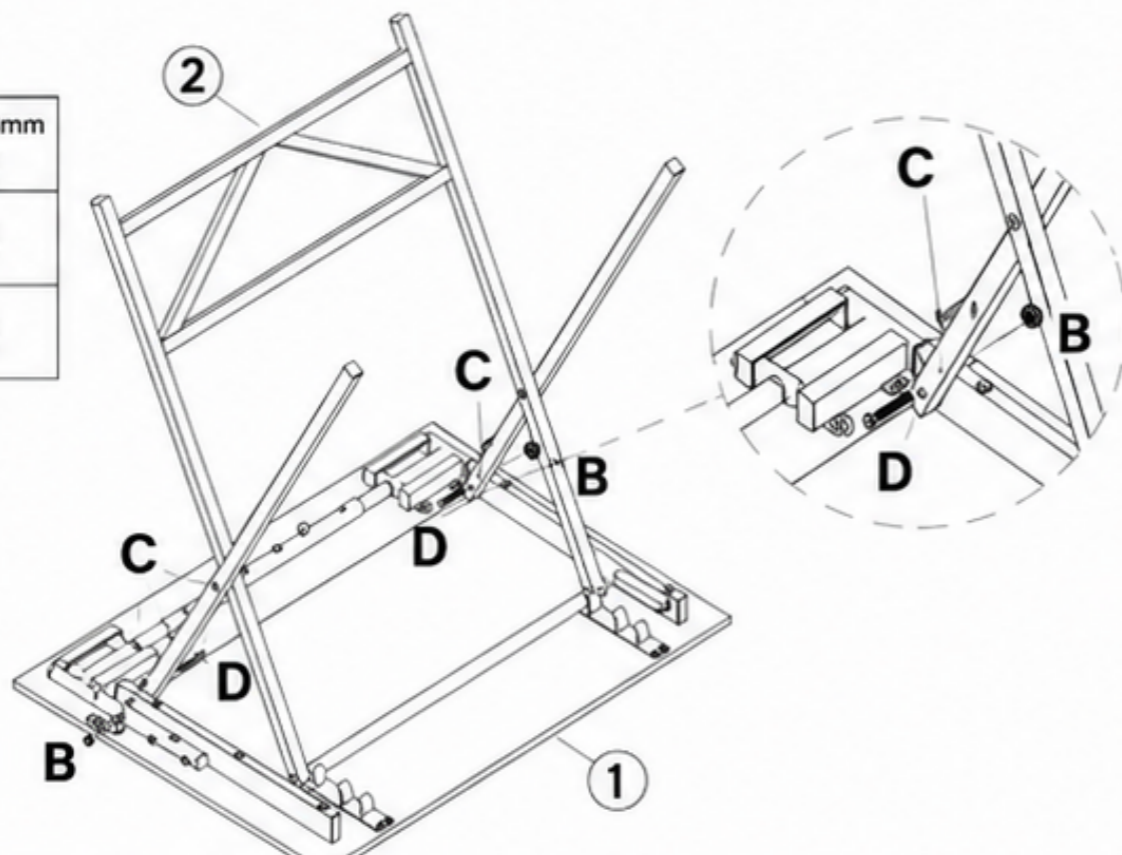
A		M6*55mm ×2
B		×2
C		×2



Note: To ensure the stability of the structure, be sure to attach washer C when installing.

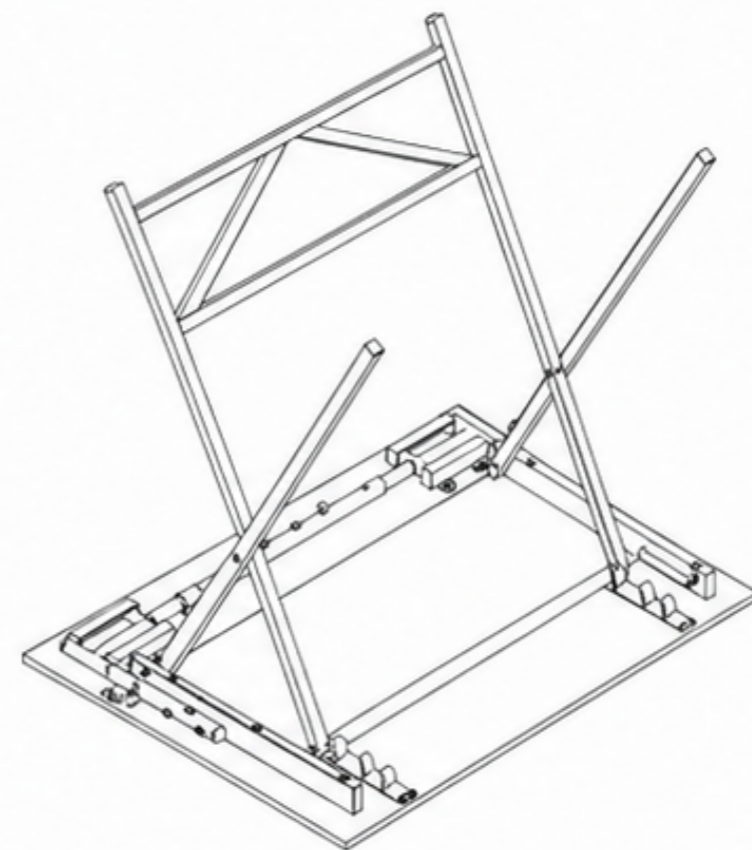
STEP 2

D		M6*48mm ×2
B		×2
C		×2

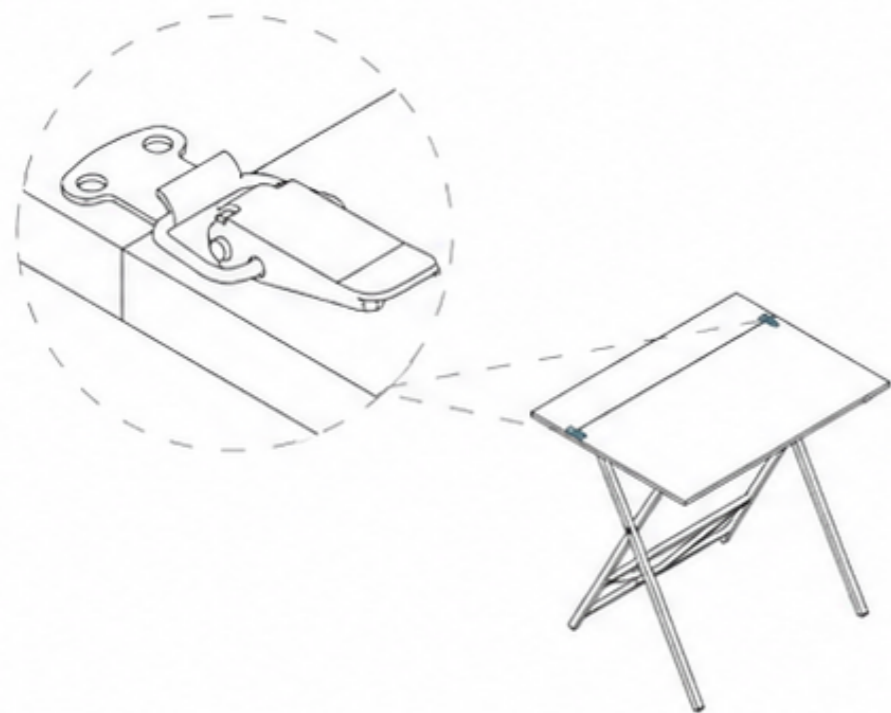


Note: To ensure the stability of the structure, be sure to attach washer C when installing.

STEP 3

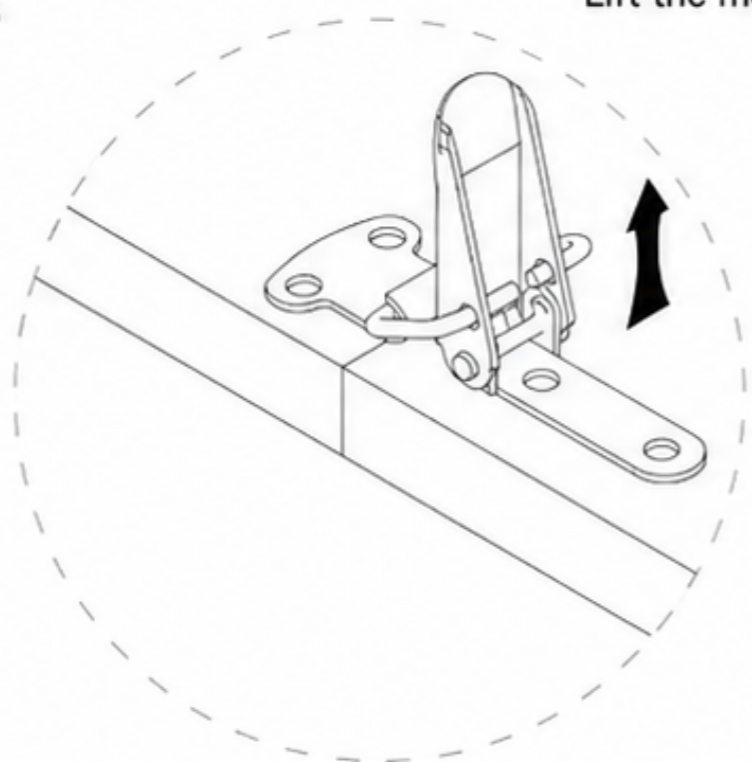


How to Use 1: Unlocking the Panel Lock



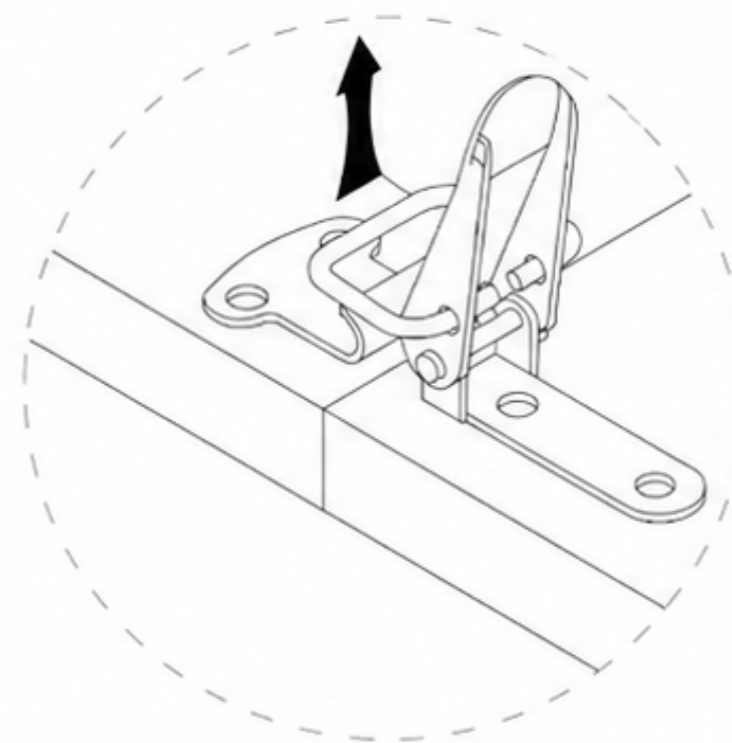
STEP 1.2

Lift the metal handle.

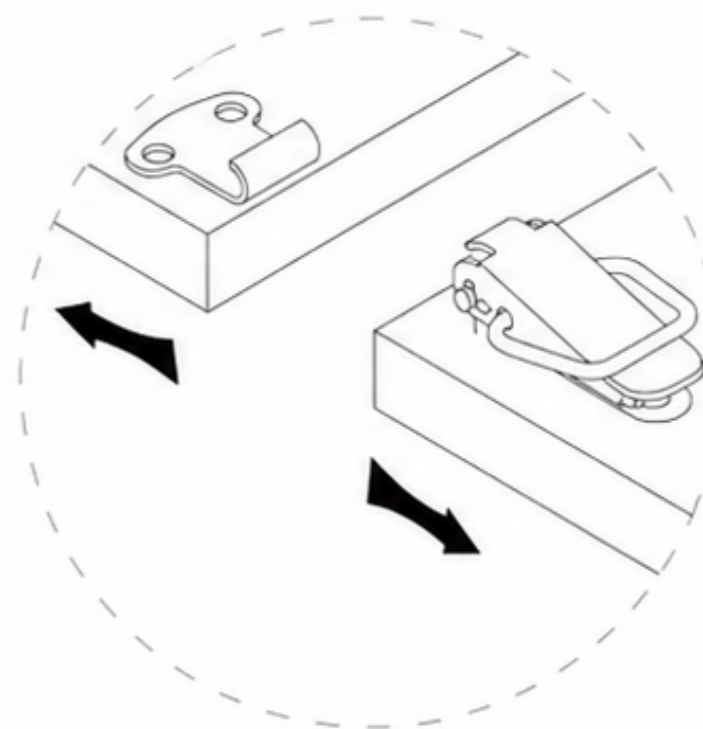


STEP 1.3

Remove the metal ring from the hook.



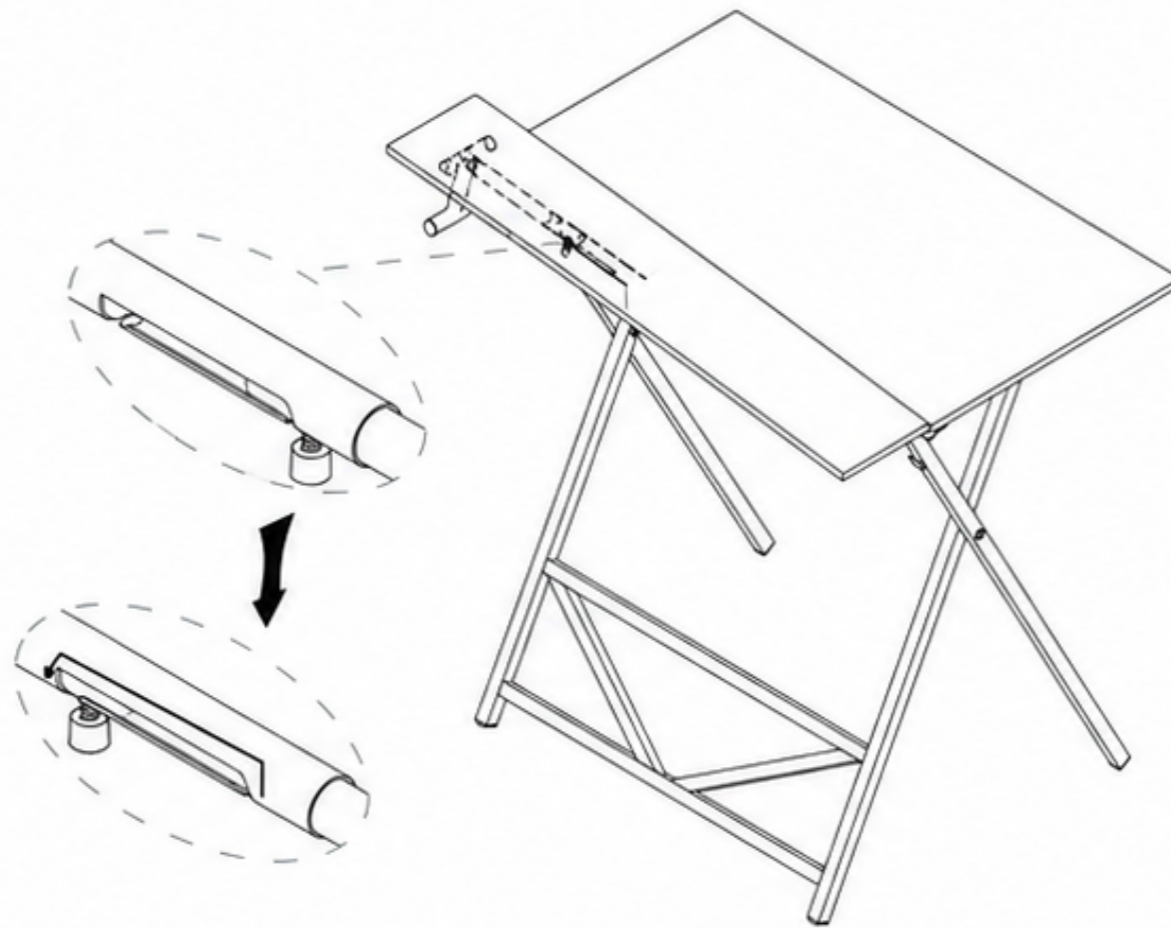
STEP 1.4



When both locks are unlocked, proceed to the next step.

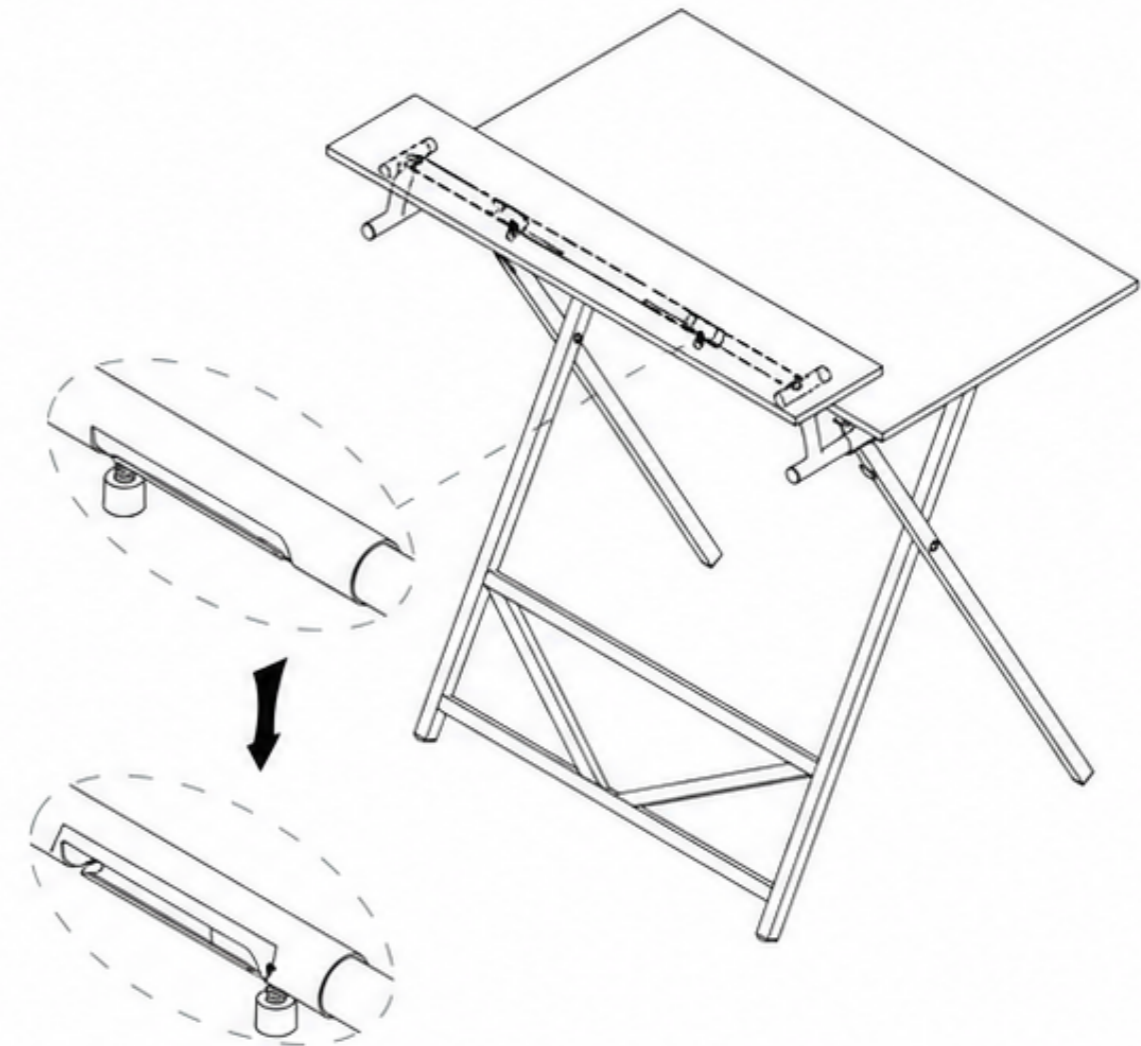
USAGE STEP 2: LIFT THE MONITOR STAND

STEP 2.2



Move the lock bar on the lower part of the left bracket from the center position to the outer limit position on the left side (this will raise the left bracket).

For safety, start the operation from one side only.



Lift the right bracket in the same way as the left side and lock it securely.

Complete

