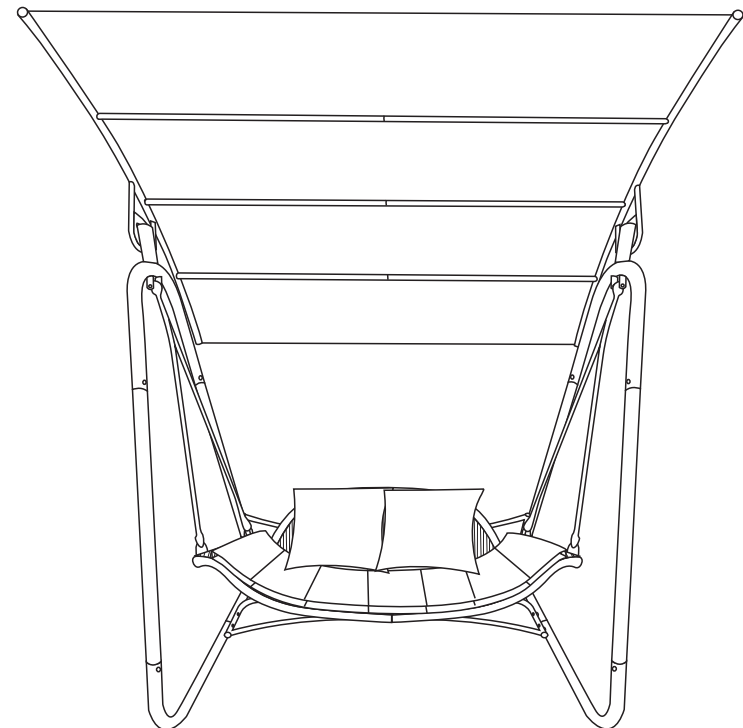


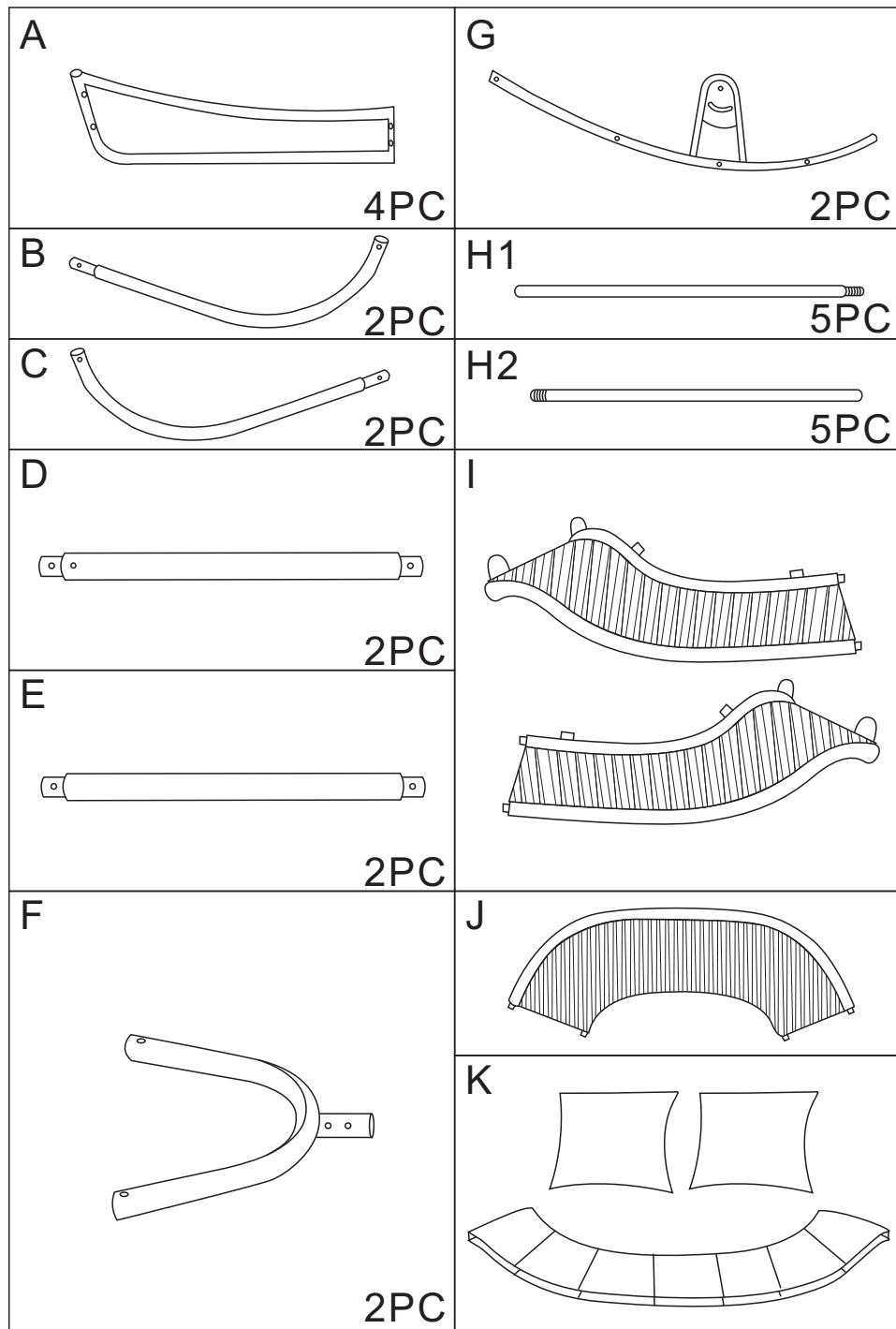
For any product support please  
contact our Customer Service team:

Made in China

## Outdoor Double Swing Basket

MAX CAPACITY 100KG





## Safety Instructions

- Please read and retain for future reference.
- After unpacking, check the product for signs of transit damage - do not use if damage is found.
- Keep away from fire or flammable materials.
- Check that the product is stable before using it. Do not lift or move the product when it is loaded.
- Parts of the assembly will be easier with 2 people.
- Only use on an even/level surface.
- During assembly children and animals should be kept away from the product due to possible risk of injury.
- Assemble on a soft level surface to avoid damaging the unit or your floor.
- The maximum recommended load for this item is 100KG.
- To ensure an easier assembly, we strongly advise that all fittings are only finger tightened during initial assembly. Only upon completion of the assembly should all fixing points be fully tightened.
- Do not stand on this product.
- If the product or glass is dropped or damaged, cease using it immediately.
- This product is to be used solely for domestic purposes.

**NOTE:** Please build this product in a well-lit area and on a raised surface if possible.

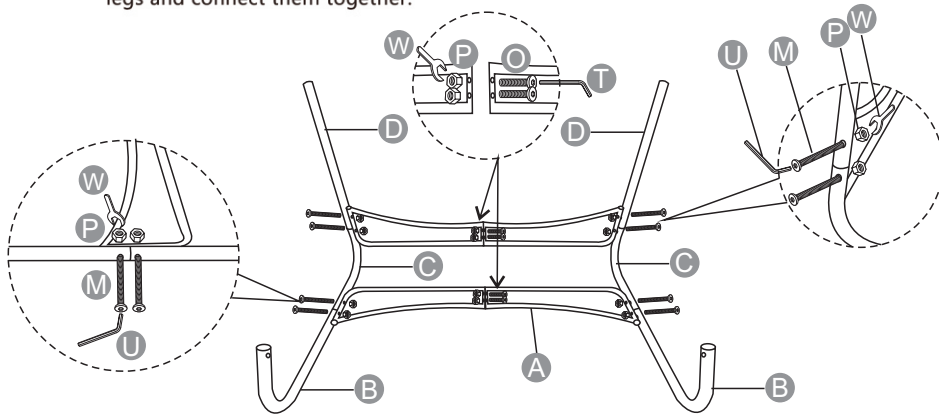
## Care and Maintenance

Wipe the product using a sponge or soft bristle brush and a mild cleaning solution. Never soak or immerse the product in water. Do not use bleach, acid, or other solvents on the frame parts.

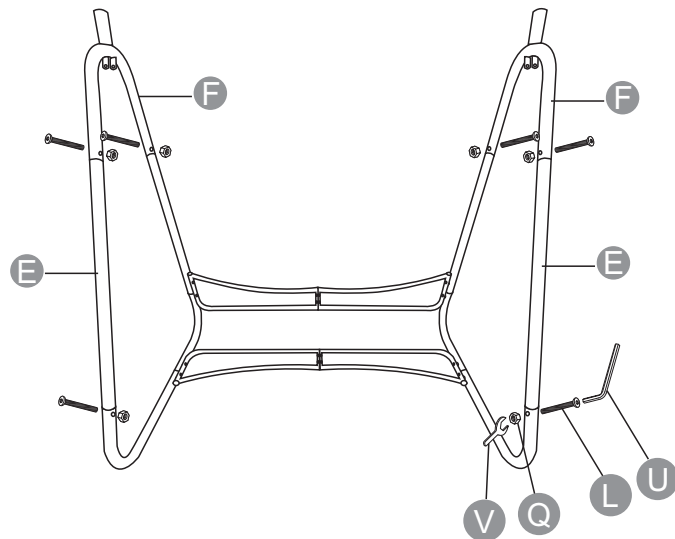
From time to time, check that there are no loose bolts on this unit. We recommend the use of furniture covers when not in use.

## Assembling Outdoor Double Swing Basket

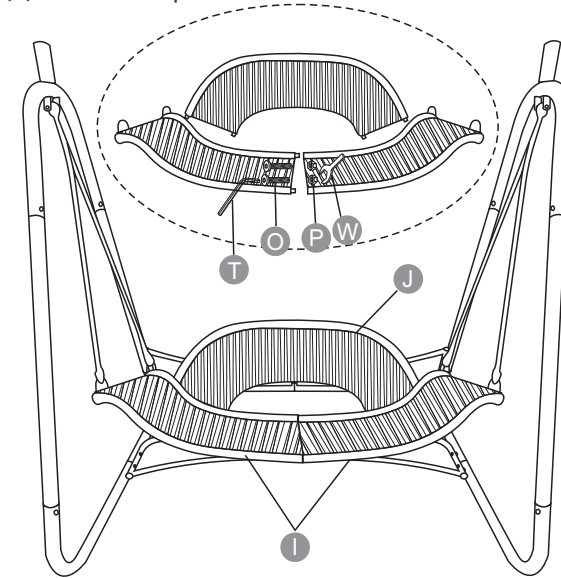
- 1 Connect the crossbar (D) to the support leg (C), and then align it with and connect to the support leg (B). Assemble the framework (A) separately, and then align it with the assembled legs and connect them together.



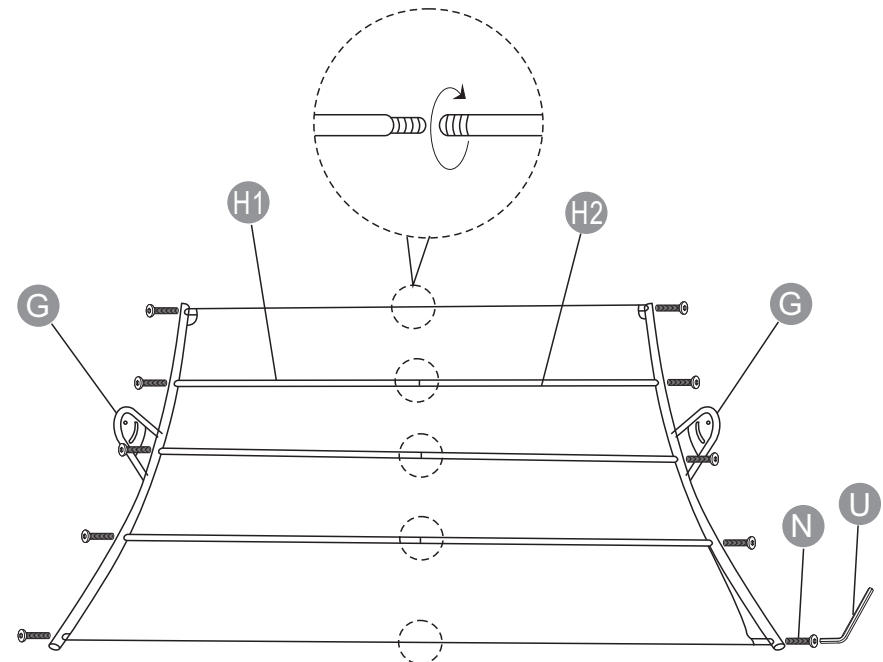
- 2 Connect the remaining leg (E) to the first step that has been assembled, and then connect the frame (F).



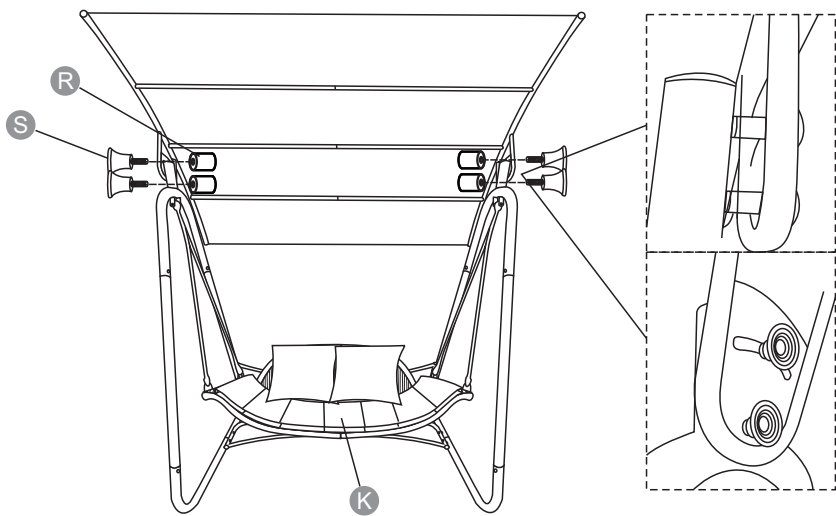
- 3 Align the fixing holes of frame (I) and frame (J), and assemble them into a whole. Connect the rope to the assembled step 2, confirm that it is fixed, and then connect the assembled frames (I) and (H) to the fixed rope.



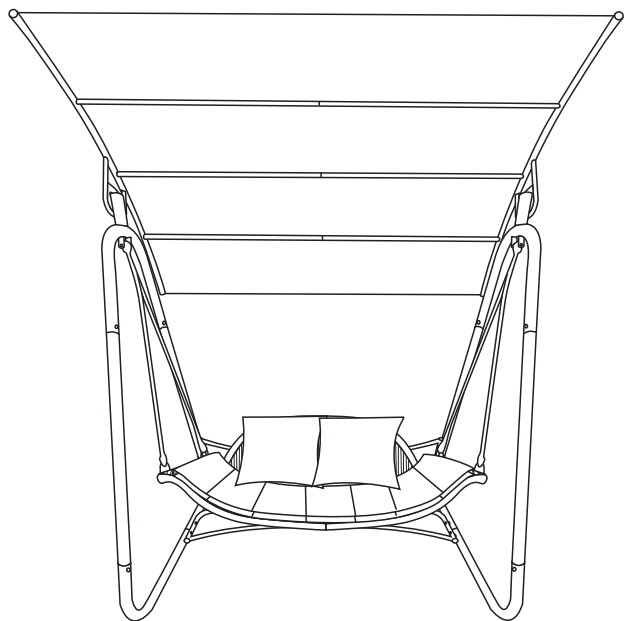
- 4 Fix the brackets (G) on both sides of the ceiling, and align and connect the holes on both sides of the brackets (G) corresponding to the horizontal bars (H).



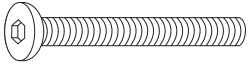
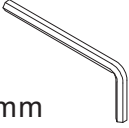
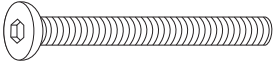
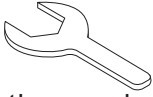
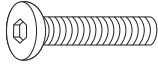

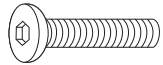


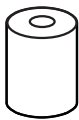
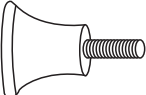
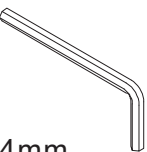
5 Connect the assembled step 4 with the assembled step 3 to ensure proper fixation.



6 Place the cushion (K) on to the chair and use as desired.



**NOTE:** Avoid securely fixing the bolts into place until the hanging egg chair is fully assembled.

L		galvanizing 8*50mm	6PC	U		wrench 5mm	1PC
M		galvanizing 8*70mm	8PC	V		Open mouth wrench 10mm	6PC
N		galvanizing 8*30mm	10PC	W		Open mouth wrench 12mm	6PC
O		galvanizing 6*30mm	6PC				
P		galvanized nut 8mm	14PC				
Q		galvanized nut 6mm	6PC				
R			4PC				
S		galvanized nut 8*45mm	4PC				
T		wrench 4mm	1PC				