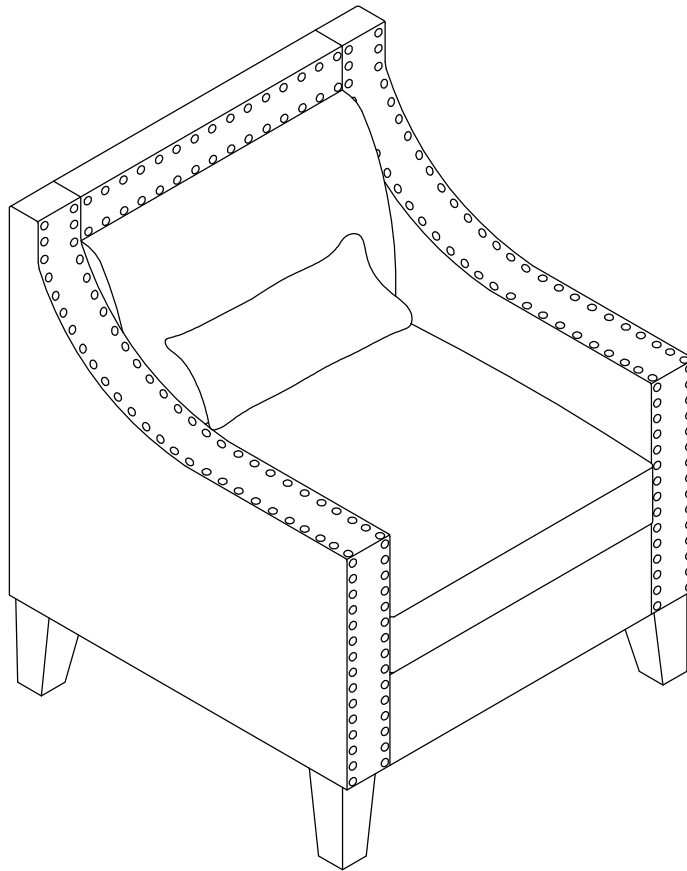
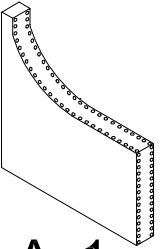
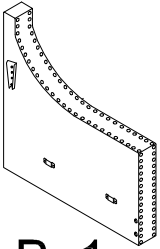
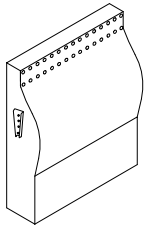
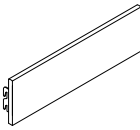
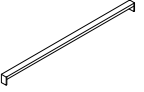
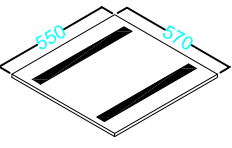
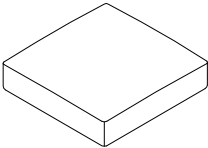
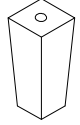
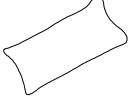


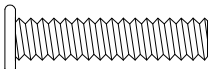
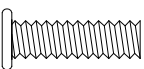

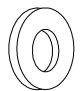

ASSEMBLY INSTRUCTIONS



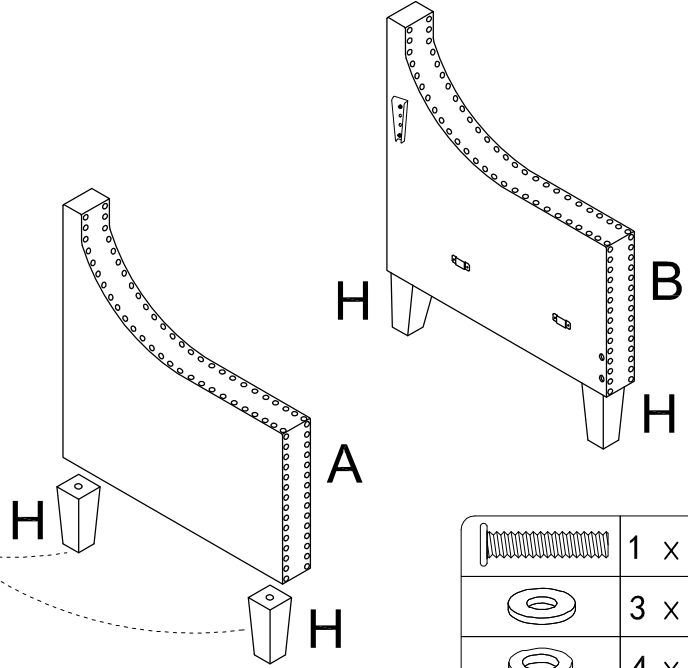
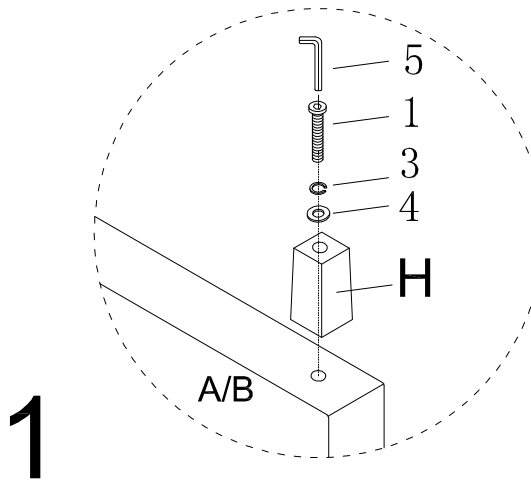
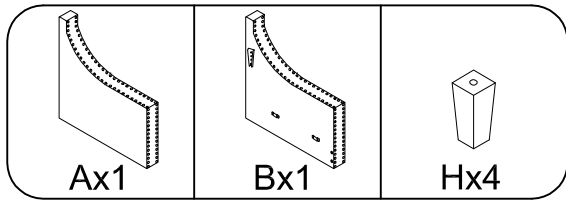
Parts List

 Ax1	 Bx1	 Cx1	 Dx1	 Ex2
 Fx1	 Gx1	 Hx4	 Ix1	

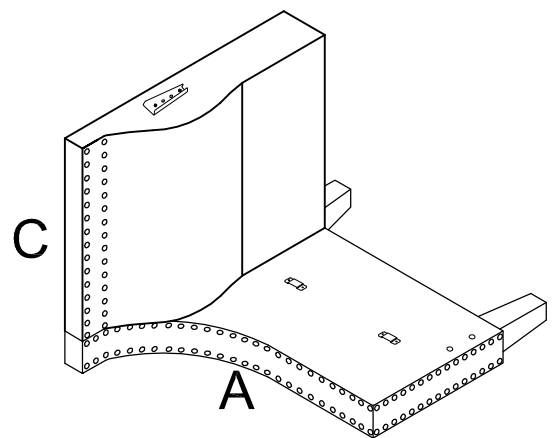
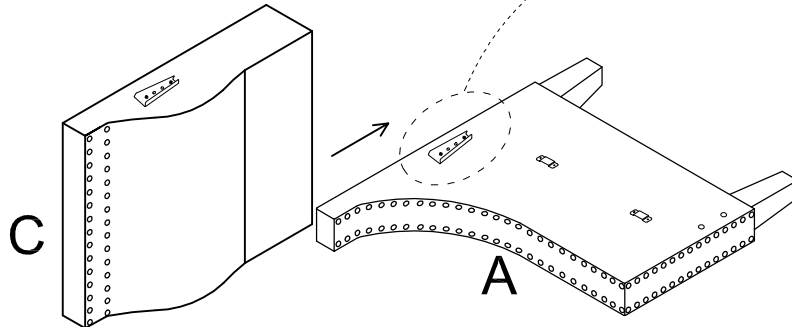
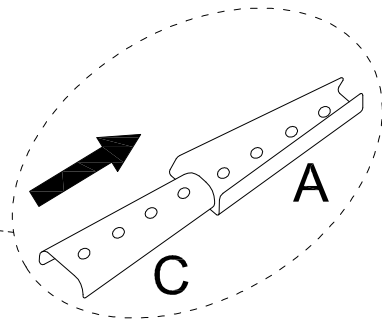
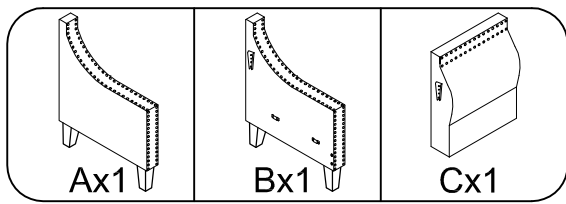
Hardware List

 m8*100 1-Bolt (4pcs)	 m8*30 2-Bolt (4pcs)	 m8 3-Spring Washer (8pcs)	 m8*16 4-Flat Washer (8pcs)	 5-AllenKey(1pc)
---	--	--	---	---

ASSEMBLY INSTRUCTIONS

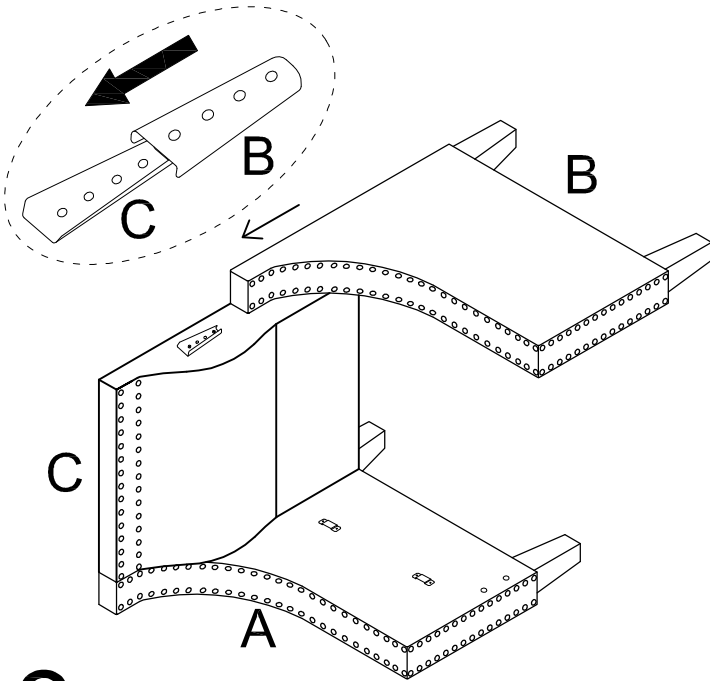


	1 x 4PCS
	3 x 4PCS
	4 x 4PCS
	5 x 1PC

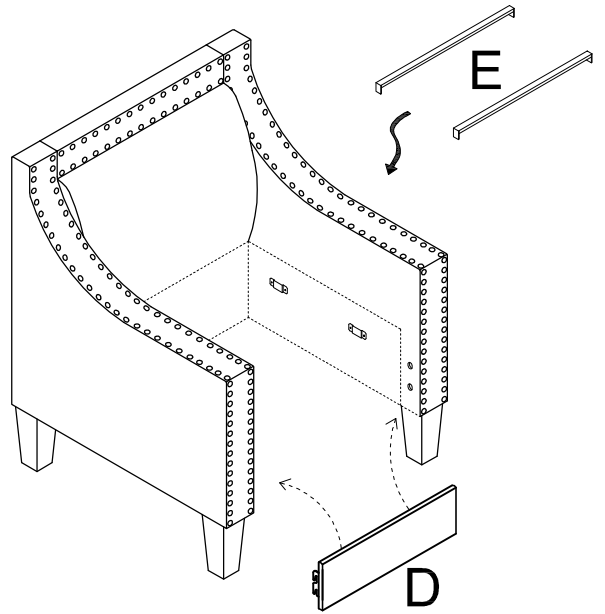


2

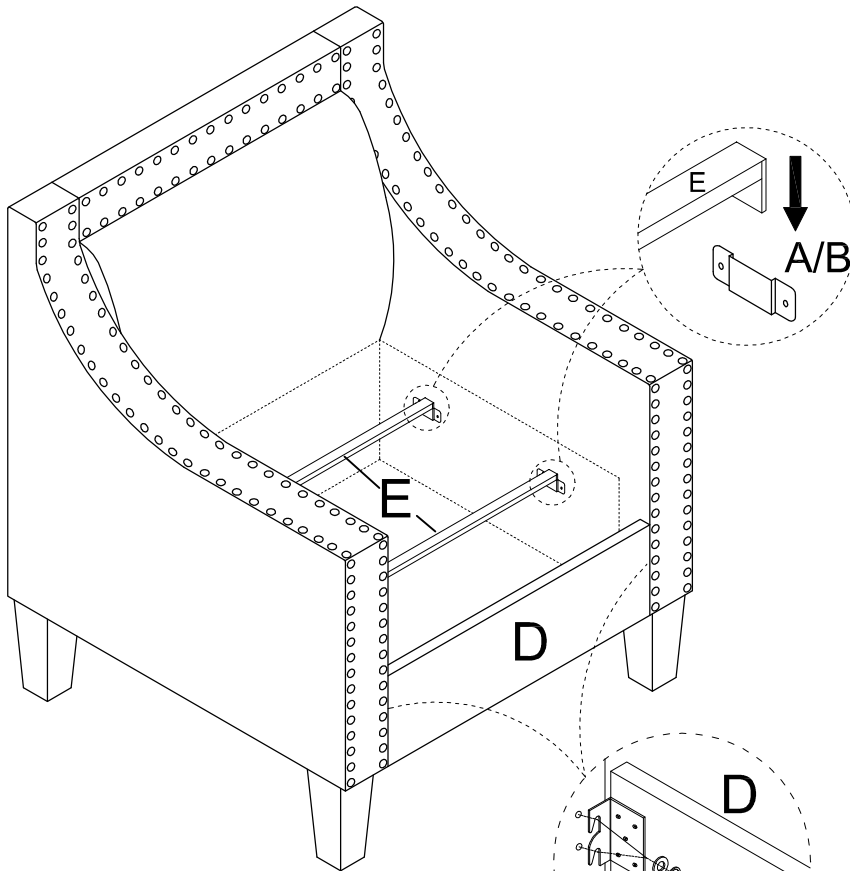
ASSEMBLY INSTRUCTIONS



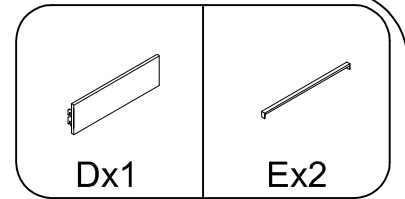
3



4



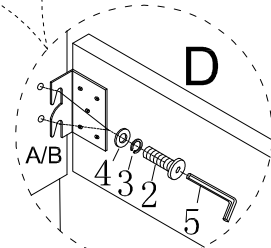
5



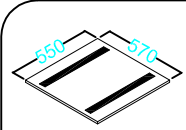
Dx1

Ex2

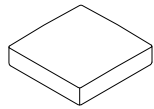
	2 x 4PCS
	3 x 4PCS
	4 x 4PCS
	5 x 1PC



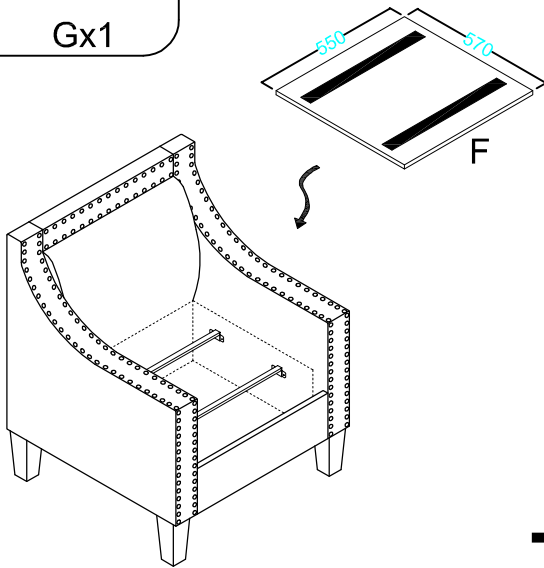
ASSEMBLY INSTRUCTIONS



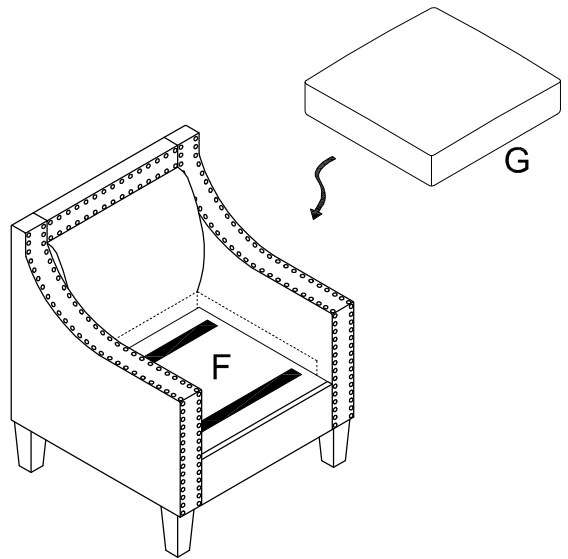
Fx1



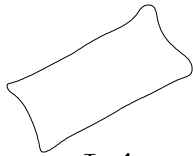
Gx1



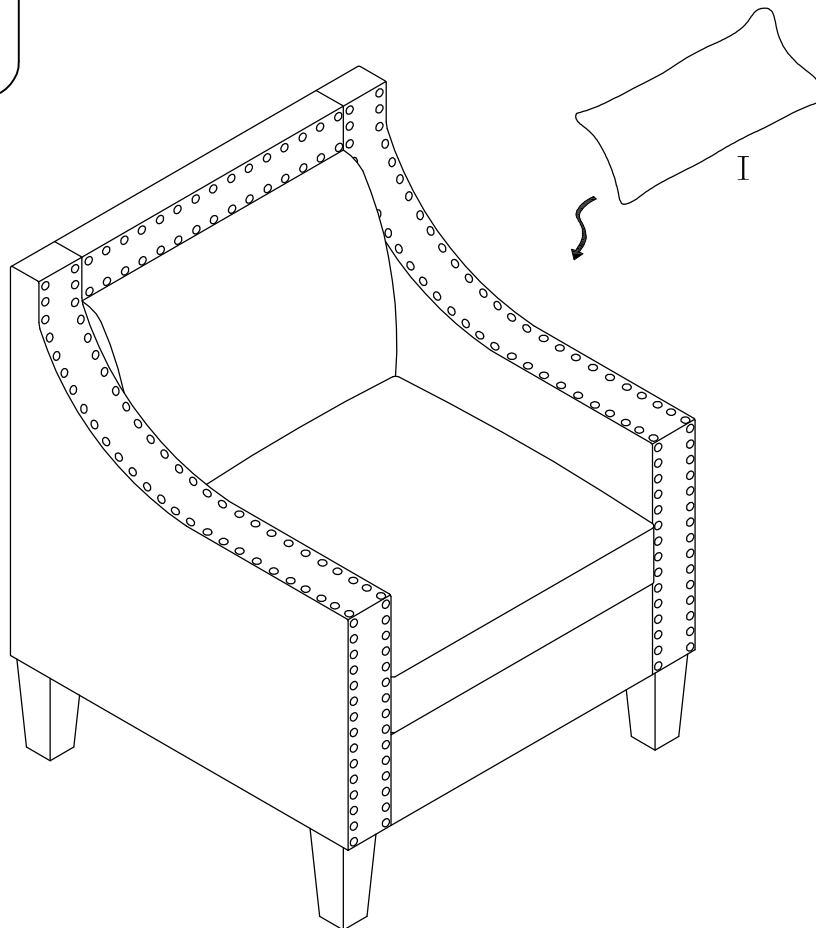
6



7



Ix1



8