





# ASSEMBLY INSTRUCTIONS

Description: 1 Seater

## PART LIST

Item	Description	QTY.
P1	 Backrest	1 Pc
P2	 Seat	1 Pc

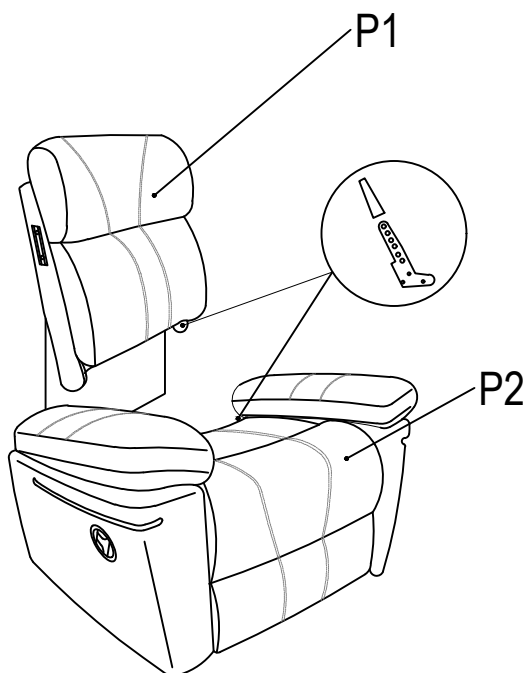
## PART LIST

Item	Description	QTY.
P3	 Left ear	1 Pc
P4	 Right ear	1 Pc

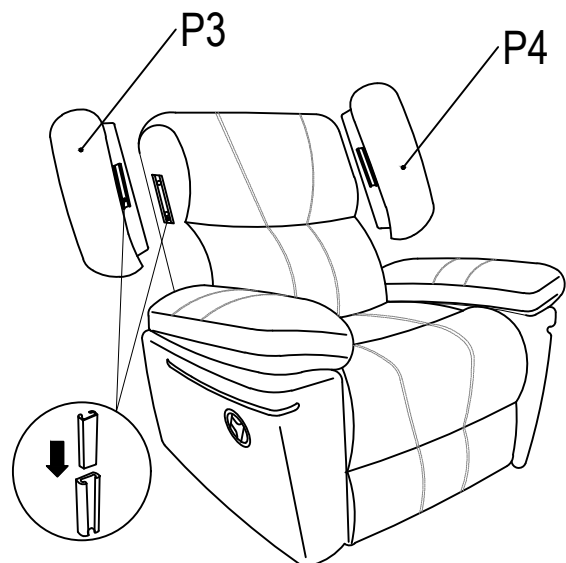
### DISCLAIMER:

WHEN PROPERLY ASSEMBLED, THIS ITEM IS SAFE FOR INTENDED USE. SELLER IS NOT LIABLE FOR ANY DAMAGES RESULTING FROM ITEM BEING IMPROPERLY ASSEMBLED AFTER PURCHASE.

## Step 1



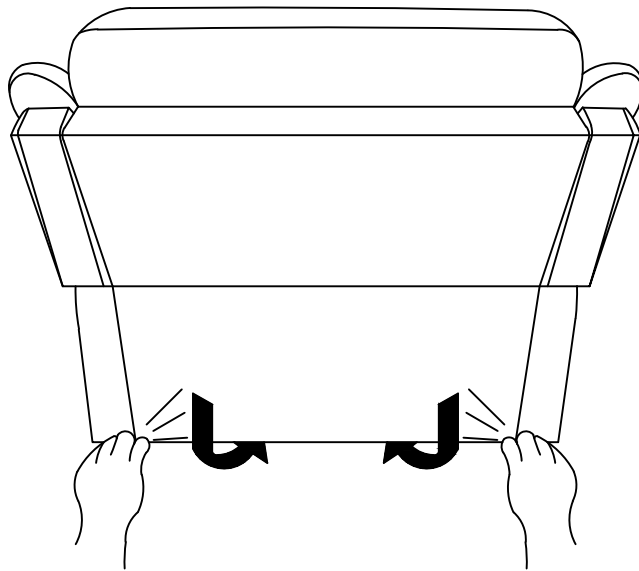
## Step 2



# ASSEMBLY INSTRUCTIONS

Description: 1 Seater

**Step 3 :** Attach the back cover to the bottom of the seat with velcro.



**COMPLETE**

