






# ASSEMBLY INSTRUCTIONS

Description: 2 Seater

## PART LIST

Item	Description	QTY.
P1	 Left Backrest	1 Pc
P2	 Right Backrest	1 Pc
P3	 Seat	1 Pc

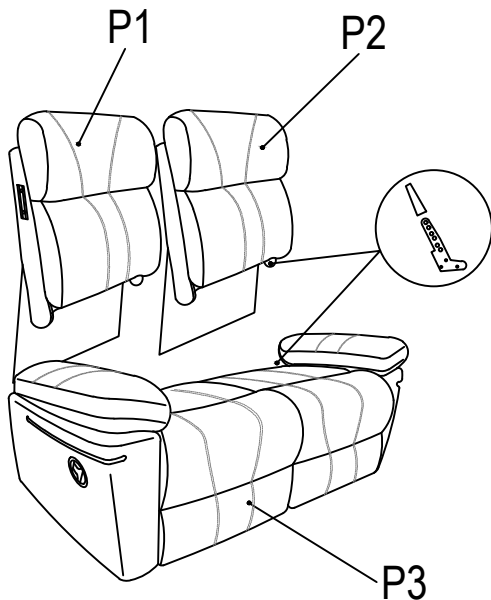
## PART LIST

Item	Description	QTY.
P4	 Left ear	1 Pc
P5	 Right ear	1 Pc

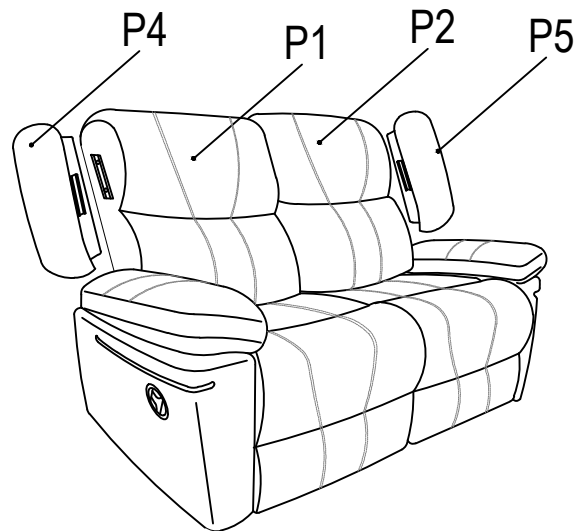
### DISCLAIMER:

WHEN PROPERLY ASSEMBLED, THIS ITEM IS SAFE FOR INTENDED USE. SELLER IS NOT LIABLE FOR ANY DAMAGES RESULTING FROM ITEM BEING IMPROPERLY ASSEMBLED AFTER PURCHASE.

## Step 1



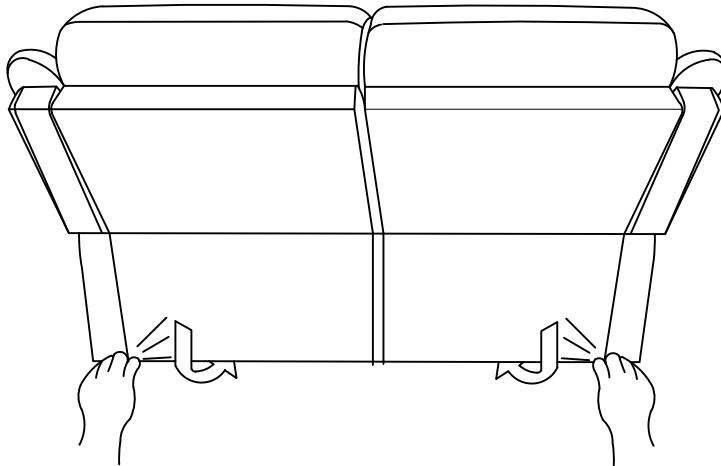
## Step 2



# ASSEMBLY INSTRUCTIONS

Description: 2 Seater

**Step 3** : Attach the back cover to the bottom of the seat with velcro.



**COMPLETE**

