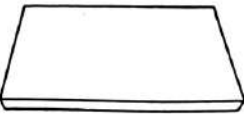
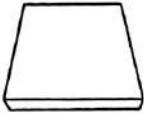
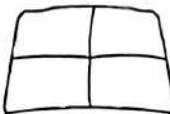
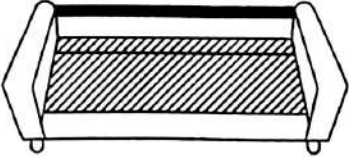





Assembly Instructions

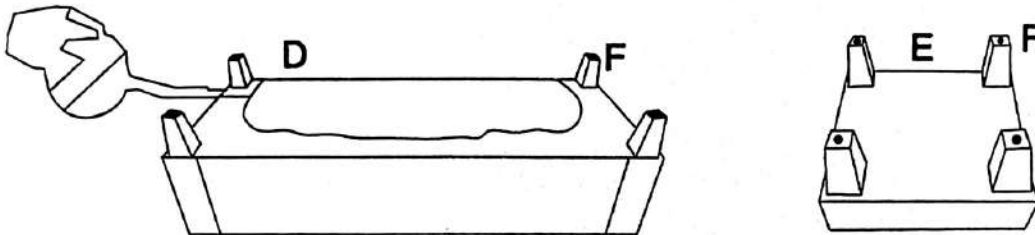
Thank you for purchasing this quality product. Be sure to check all packing material carefully for small parts that may have come loose inside the carton during shipment.

Part list

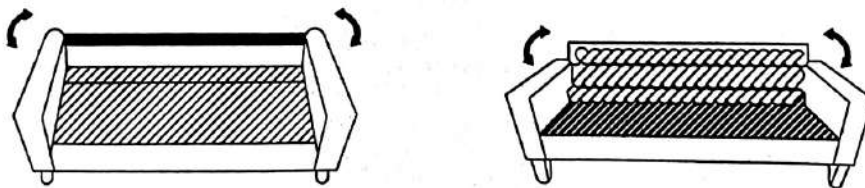
<p>A</p>  <p>CHAISE SEATING CUSHION 1 pcs</p>	<p>B</p>  <p>SEATING CUSHION 2 pcs</p>	<p>C</p>  <p>BACKREST PILLOW 3 pcs</p>	
<p>D</p>  <p>SOFA 1 pcs</p>	<p>E</p>  <p>OTTOMAN 1 pcs</p>	<p>F</p>  <p>LEGS 8 pcs</p>	<p>G</p>  <p>SPACER 8 pcs</p>

Assembly

Step 1. Have the sofa upside down, there will be a zipper, all other parts are inside. Make sure all pieces are taken out. After that, twist on the legs long the four corners the sofa and ottoman.



Step 2. After tipping the sofa back up, the back piece will be folded inside. Pull the back piece up to the piece on top. After Place the cushion on top as following the images.



This is reversible sectional. To change the position move the front ottoman following the long chaise cushion. To be changed to a sofa. Have the long chaise cushion put on the sofa along and one square cushion to the ottoman.

