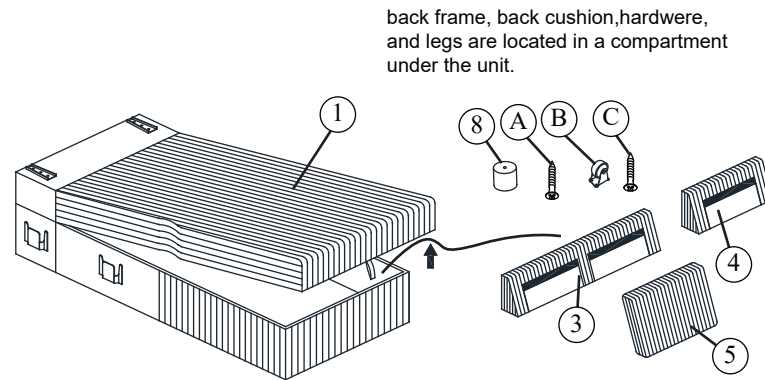


# ASSEMBLY INSTRUCTION

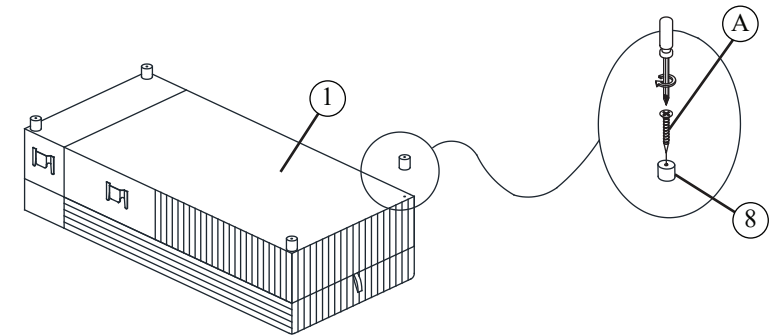
ITEM : EXCEL-1/EXCEL-2

NO.	PART LIST	QTY
1	SEAT	1PC
2	SEAT	1PC
3	BACK FRAME	1PC
4	BACK FRAME	1PC
5	BACK CUSHION	3PCS
6	ARM REST	1PC
7	ARM REST	1PC
8	LEG	12PCS
ITEM	HARDWARE	QTY
A	CSK SCREW M4 x 45mm	12PCS
B	WHEEL	4PCS
C	CSK SCREW M3.5 x 20mm	16PCS

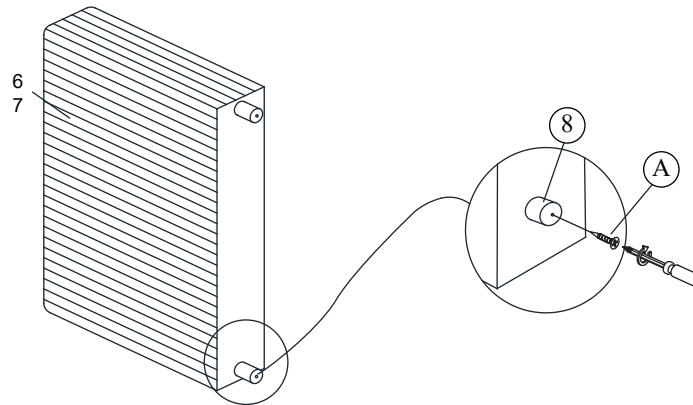
STEP 1



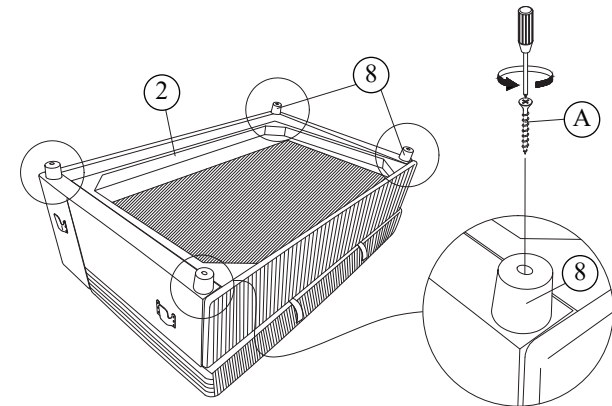
STEP 2



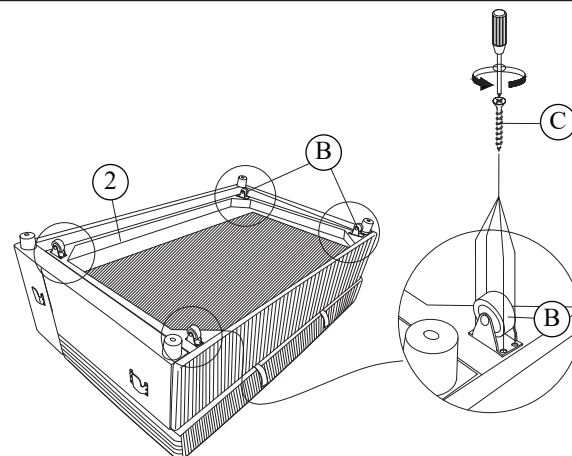
STEP 3



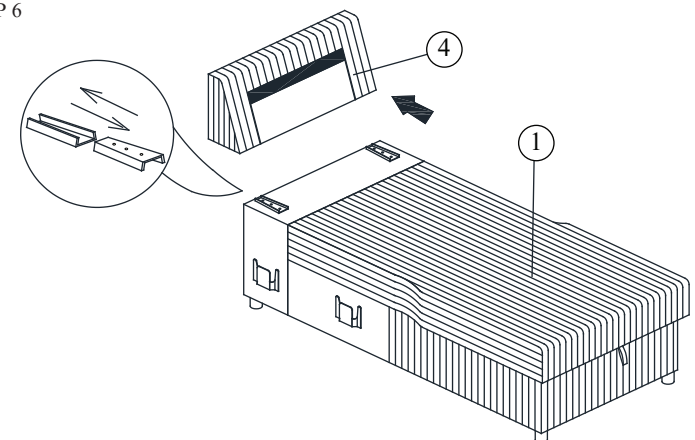
STEP 4



STEP 5



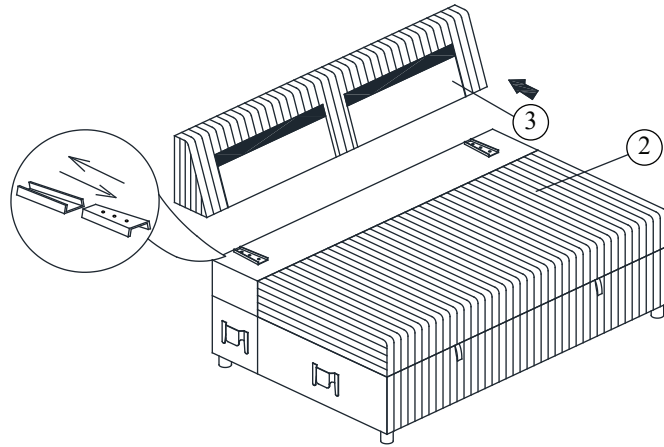
STEP 6



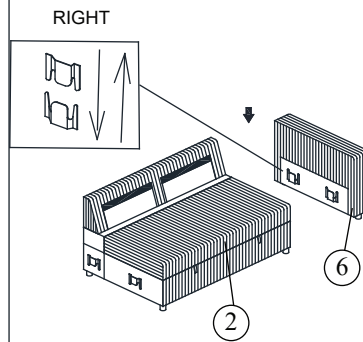
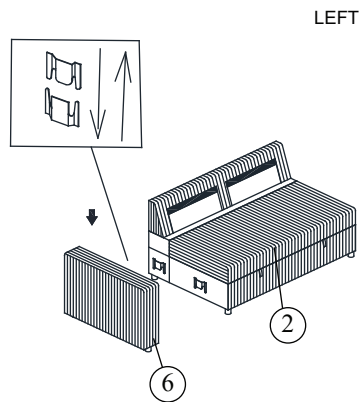
Please do not tighten an the hardware until the entire assembly is completed.

# ASSEMBLY INSTRUCTION

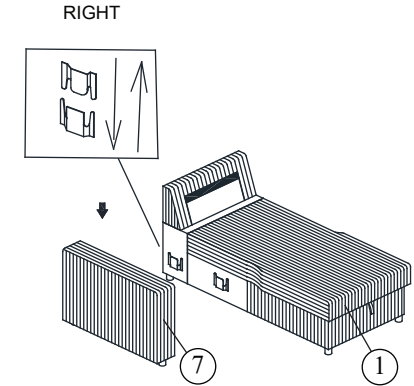
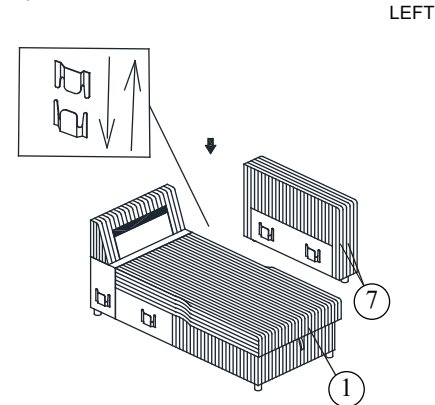
STEP 7



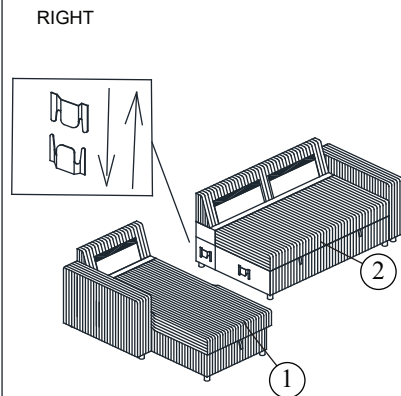
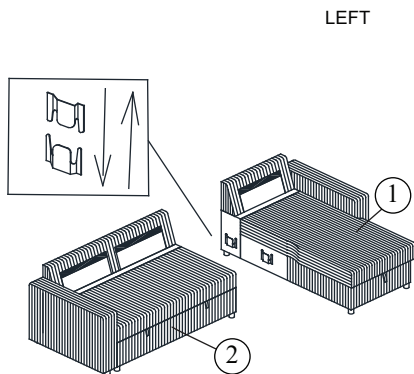
STEP 8



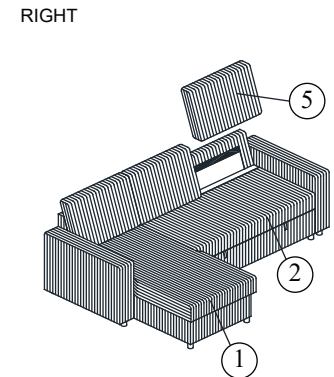
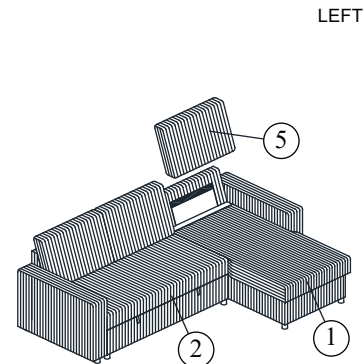
STEP 9



STEP 10



STEP 11

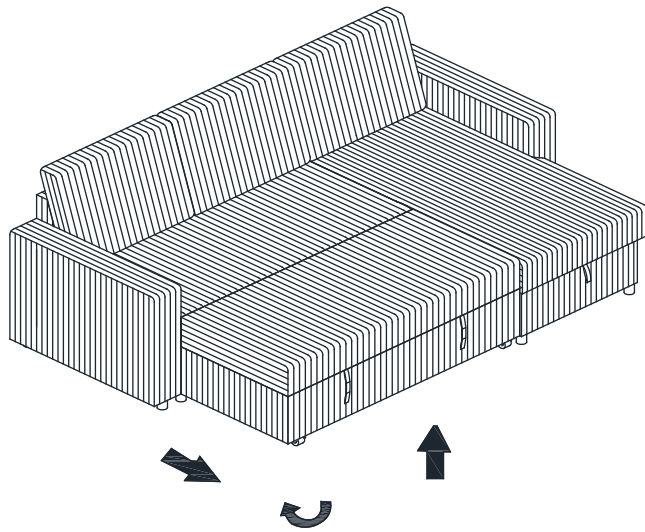


Please do not tighten an the hardware until the entire assembly is completed.

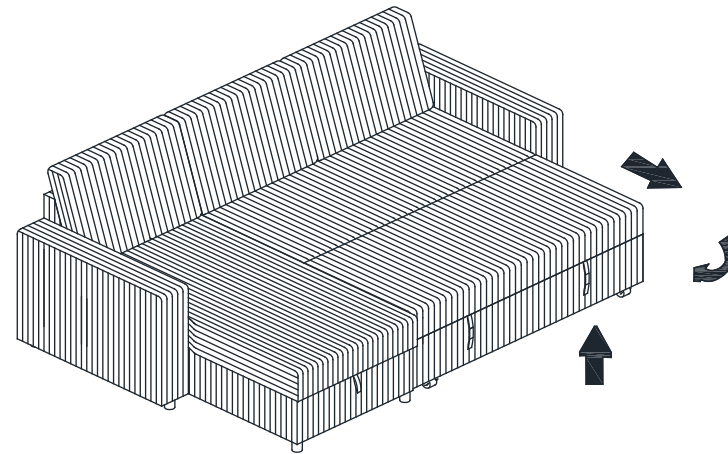
# ASSEMBLY INSTRUCTION

STEP 12

LEFT

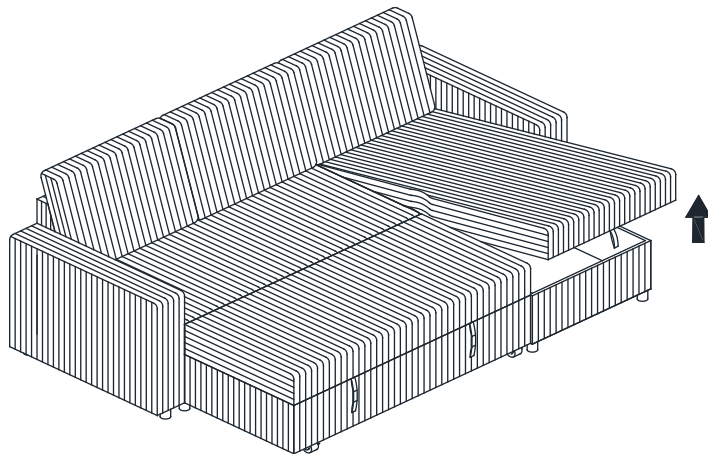


RIGHT

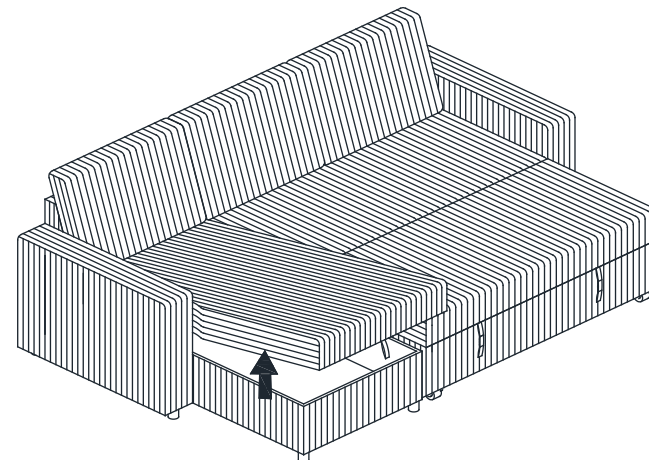


STEP 13

LEFT



RIGHT



ASSEMBLY  
COMPLETE

Please do not tighten an the hardware until the entire assembly is completed.