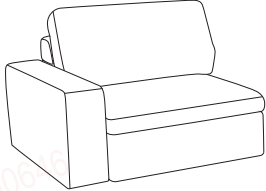
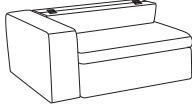


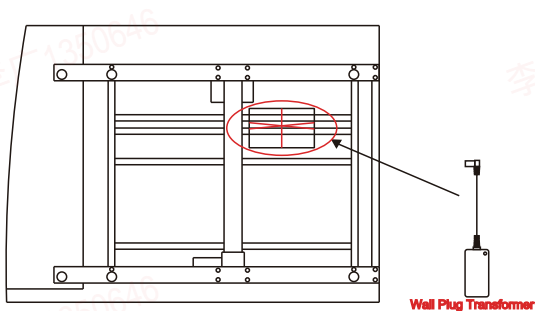
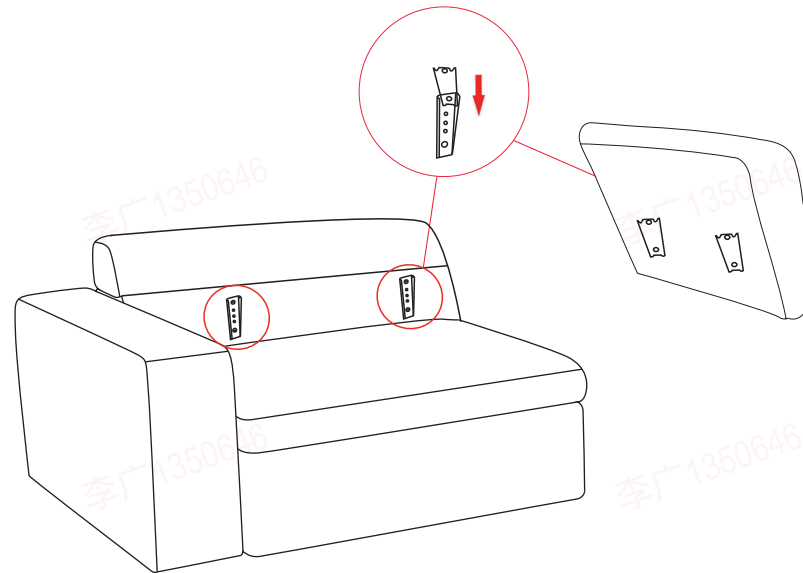
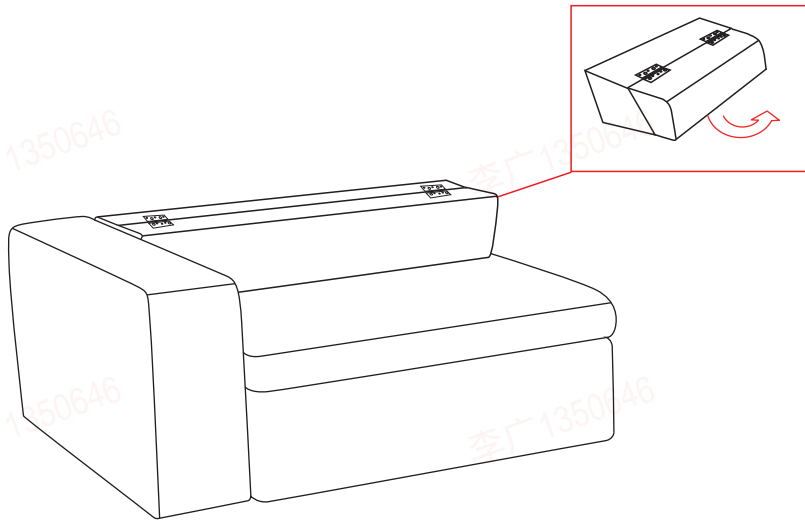
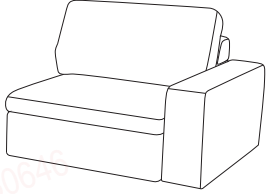
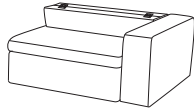




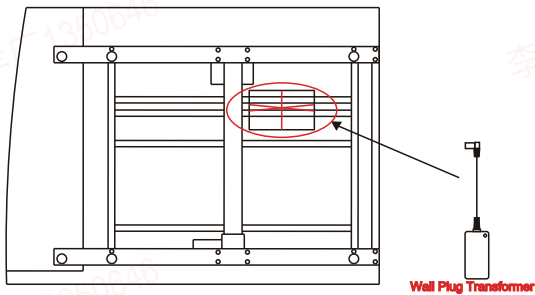
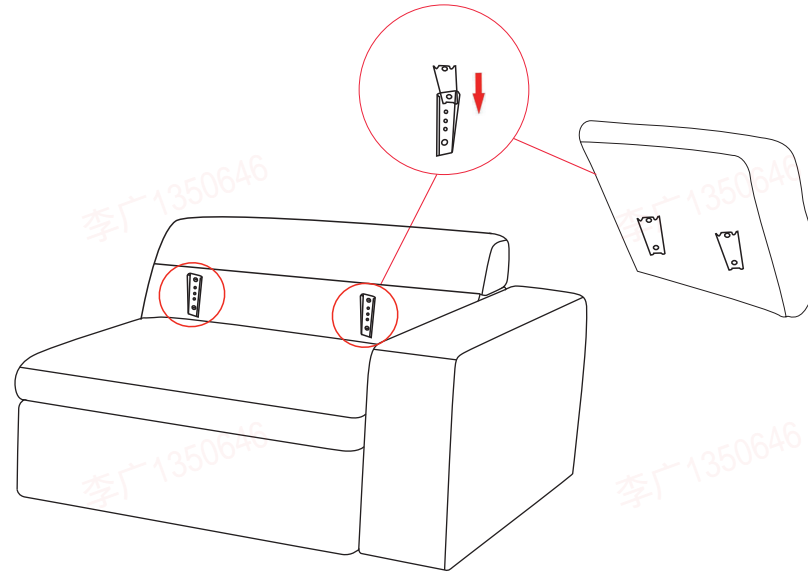
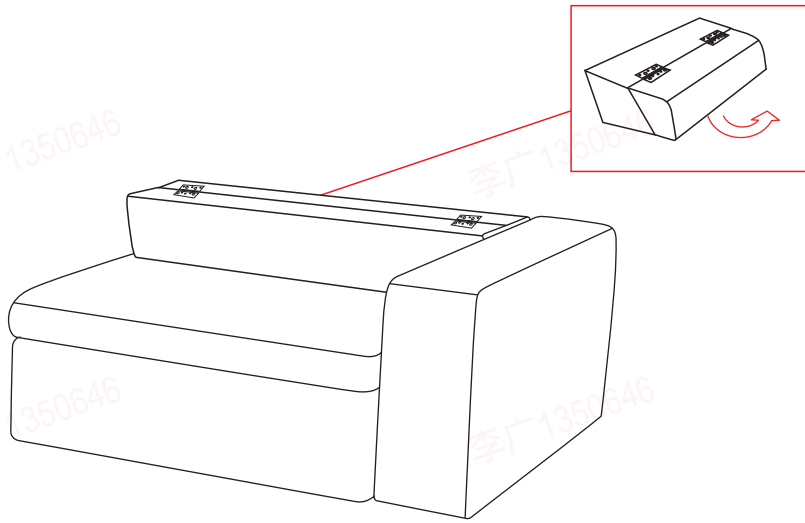
TOOLS REQUIRED: NO TOOLS REQUIRED

PART LIST				
Model	NO	Description	Sketch	Quantity
	A	DP Recliner Body		1
	B	DP Recliner Back		1
	C	Power Supply		1



TOOLS REQUIRED: NO TOOLS REQUIRED

PART LIST				
Model	NO	Description	Sketch	Quantity
	A	DP Recliner Body		1
	B	DP Recliner Back		1
	C	Power Supply		1



Wall Plug Transformer

