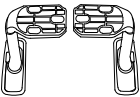
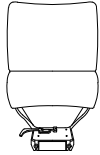
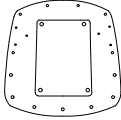

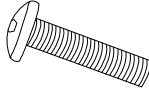
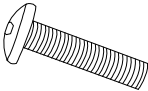




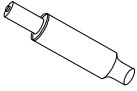
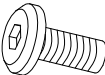
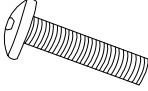
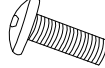

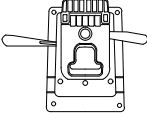



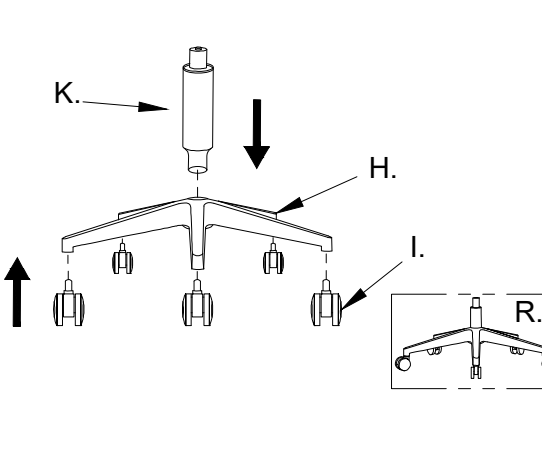
A95 assemble instruction

Accessory List Reference (based on actual size)

Accessory List

								
A. One pair of armrests	B. One backrest	C. One seat bag	D. One headrest	E. 2 PCS*M6*35	F. 4 PCS*M6*40	G. Accessories of headrest	H. Chair base	I. 5 PCS*Castor
								
J. wrench	K. gaslift	L. 1 PC*M6*25	M. 4 PCS*M6*30	N. 2 PCS*M8*25	O. 10 PCS*φ6*16	P. Mechanism	Q. Tailstock rear decorative cover	

Assemble instruction:



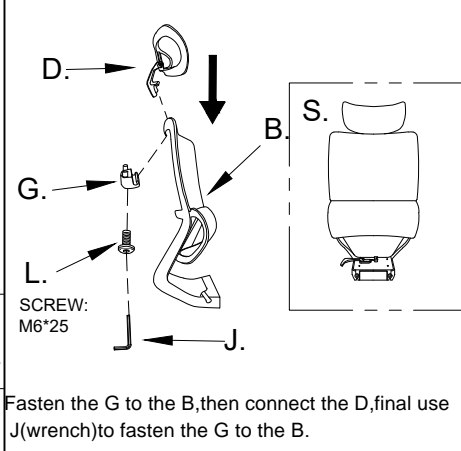
↑

K. →

H. →

I. →

R. →



D. →

G. →

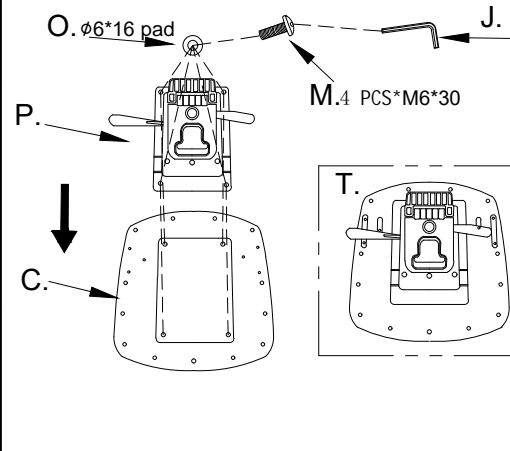
L. →

B. →

S. →

J. →

SCREW: M6*25



O. φ6*16 pad →

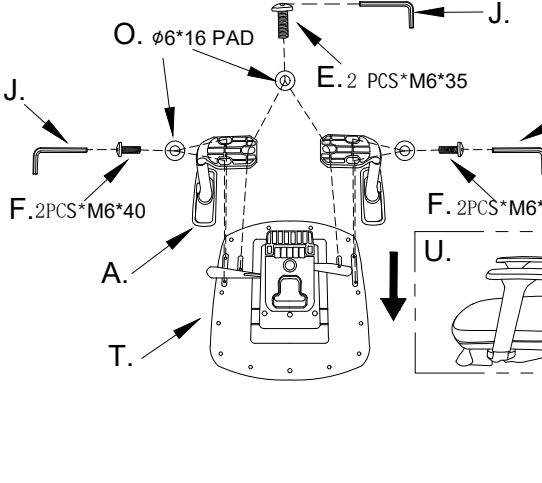
J. →

P. →

M. 4 PCS*M6*30 →

C. →

T. →



J. →

O. φ6*16 PAD →

E. 2 PCS*M6*35 →

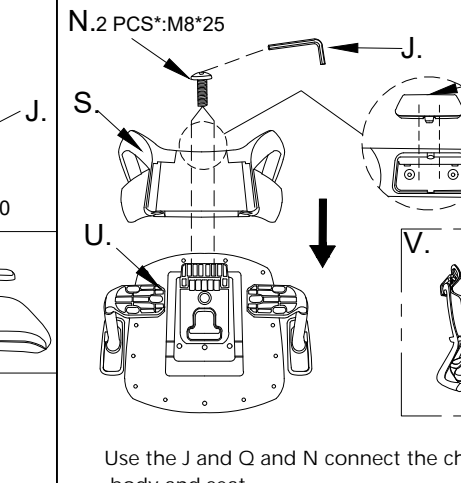
J. →

F. 2PCS*M6*40 →

A. →

T. →

U. →



N. 2 PCS*M8*25 →

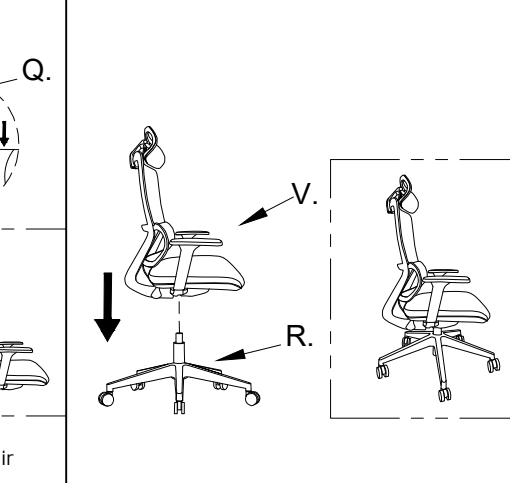
J. →

S. →

U. →

Q. →

V. →



V. →

R. →

Fasten the G to the B, then connect the D, final use J(wrench) to fasten the G to the B.

Use the J and Q and N connect the chair body and seat