

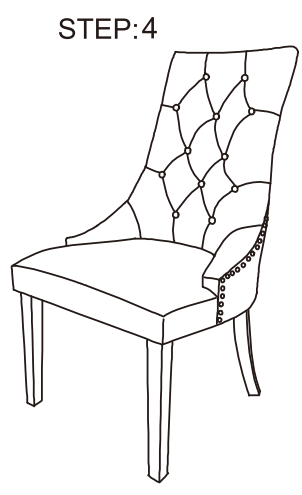
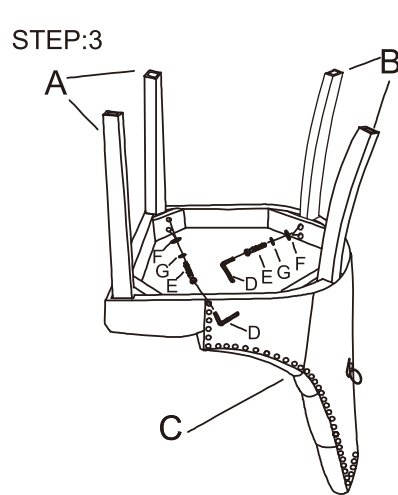
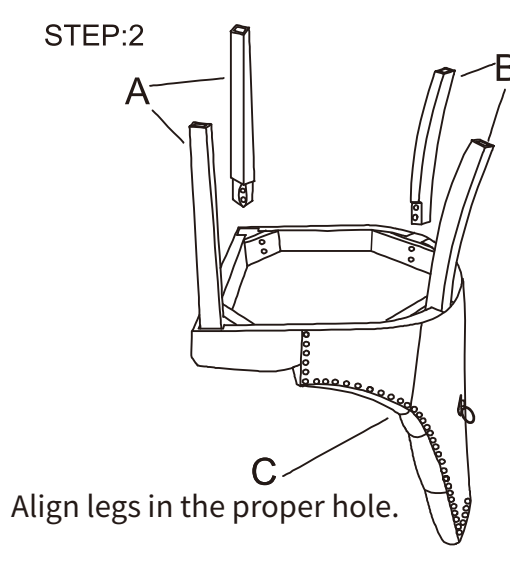
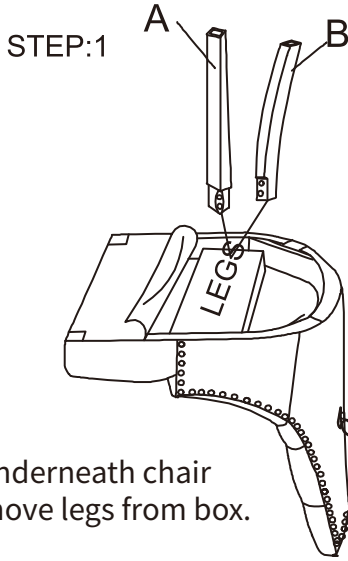


Parts

NO.	Picture	Description	Size	QTY
A		FRONT LEG	40*40*410mm	2
B		REAR LEG	40*30*410mm	2
C		CHAIR BODY	22.25"W * 25.5"D * 25.25"H	1

Hardware

NO.	Picture	Description	Size	QTY
D		Allen Key	Ø5/16*65mm	1
E		Bolt	Ø5/16*50mm	8
F		Flat Washer	Ø5/16*22mm	8
G		Spring Washer	Ø5/16*12mm	8



Use the enclosed hardware pack for leg assembly, "IMPORTANT" Donot fully tighten bolt on this step, only tighten "HALF WAY".

Turn around the chair seat on floor to make sure four legs are aligned and fully tighten all bolts from previous step with allen key.