





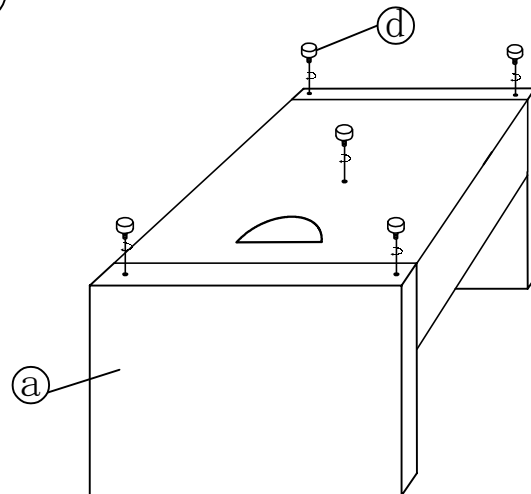
# ASSEMBLY INSTRUCTION

MODEL: MB-C050-3S

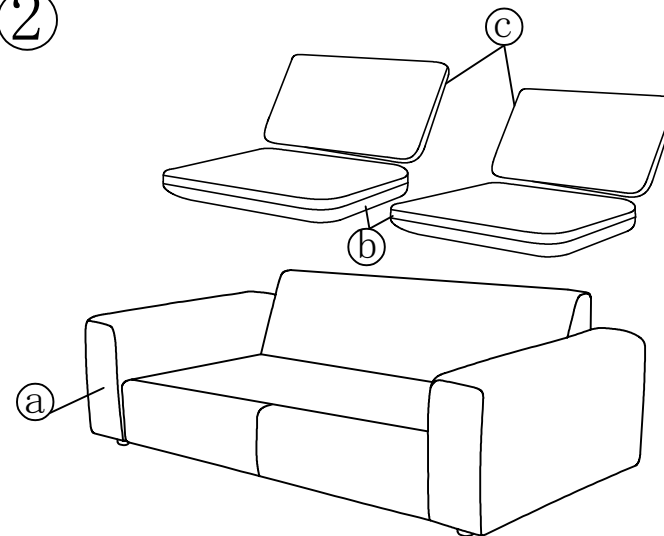
## HARDWARE LIST

NO	QTY	SIZE	ITEM
(a)	1Pc		
(b)	2Pcs		
(c)	2Pcs		
(d)	5Pcs		

①



②



③

