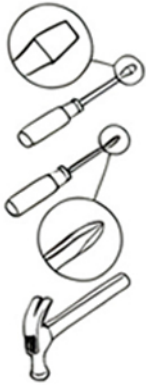


As this item contains many parts, please read the installation instruction carefully before installation . Please use tools properly and carefully.

# Before You Start



Read through each step carefully and follow the proper order

Separate and count all your parts and hardware

Give yourself enough room for the assembly process

Have the following tools: Flat Head Screwdriver, #2 Phillips Head

Screwdriver and Hammer

Caution: If using a power drill or power screwdriver for screwing, please be aware of to slow down and stop when screw is tight. Failure to do so may result in stripping the screw. (Assembly speed can be increased by using electric screwdriver)

# Helpful Hints

## PEOPLE NEEDED FOR ASSEMBLY: 1-2

- Open your item in the area you plan to keep it to avoid excessive heavy lifting.

- Identify, sort and count the parts before attempting assembly.

- Compression dowels are lightly tapped in with a hammer.

- Slides are labeled with an R (right) and L (left) for proper placement.

- Make sure to always face the point on the top of the Cam Lock towards the outer edge.

- If there is a back panel in the package, please install it to make sure your unit is complete and sturdy.

- Please fix all the screws provided for the back panel which can enhance product stability. If it is difficult to fix it when tightening, it can be fixed with the help of a hammer and then tightened.

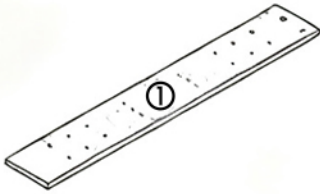
- Do NOT use harsh chemicals or abrasive cleaners on this item.

- Never push, pull, or drag your furniture.

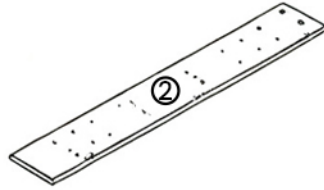


# Board Identification

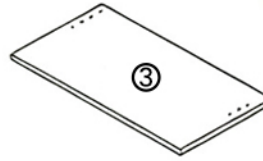
Not actual size



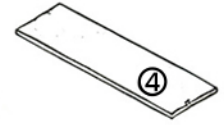
LEFT PANEL  
Qty:1



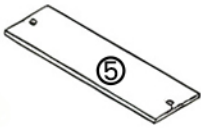
RIGHT PANEL  
Qty:1



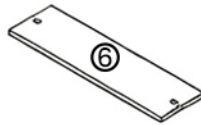
PANEL  
Qty:1



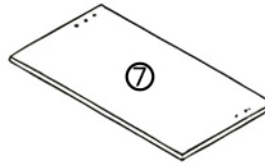
ACTIVE LAMINATE  
Qty:2



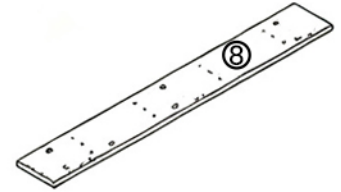
FIXED LAMINATE  
Qty:1



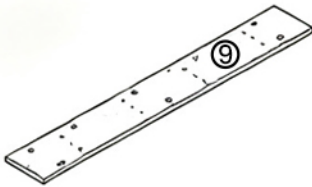
FLOOR  
Qty:1



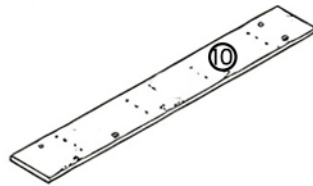
LEFT SIDE RACK  
LEFT PANEL  
Qty:1



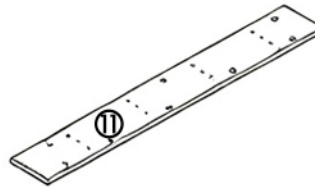
LEFT RACK RIGHT  
PANEL  
Qty:1



RIGHT SIDE RACK  
SIDE PYLON  
Qty:1



RIGHT SIDE RACK  
RIGHT PANEL  
Qty:1



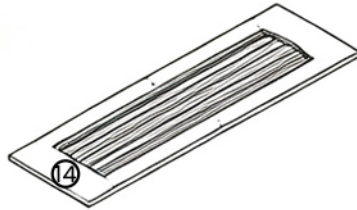
LEFT AND RIGHT SIDE  
RACK LAMINATE  
Qty:1



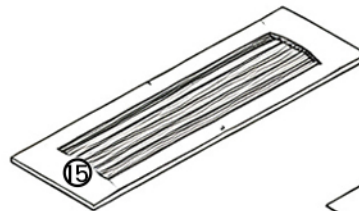
LEFT RACK DOOR  
PANEL  
Qty:10



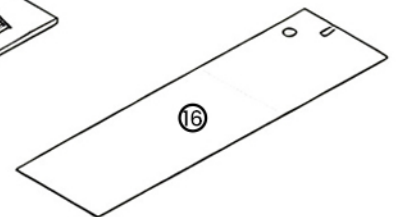
DOOR PANEL OF RIGHT  
SIDE PYLON  
Qty:10



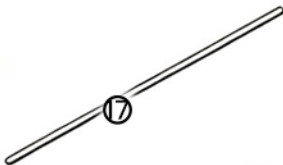
RIGHT PANEL  
Qty:1



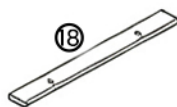
PANEL  
Qty:1



ACTIVE LAMINATE  
Qty:2



THE SLIP  
Qty:10

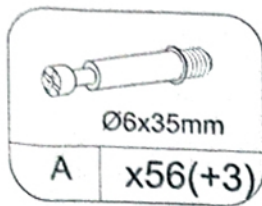


FRONT AND BACK  
PLATE OF BASE  
Qty:2



BASE PLATE RIGHT  
AND LEFT  
Qty:2

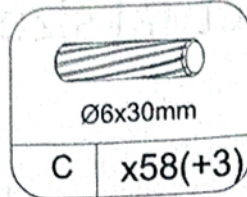
# Part List



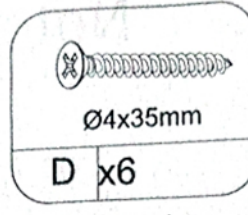
Cam Bolt



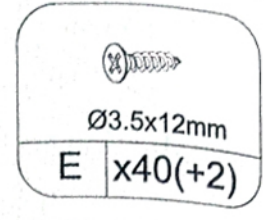
Cam Lock



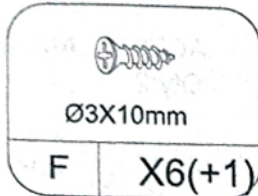
Dowel



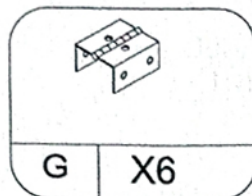
Flat Head Tapping Screw



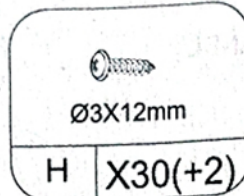
Hinge screws



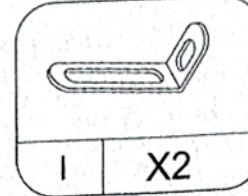
Magnetic magnet plate screw



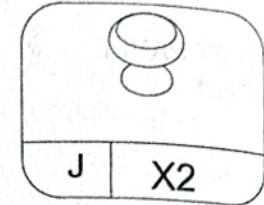
Hinge



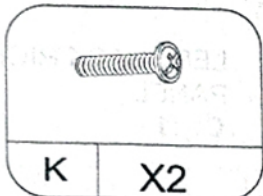
Back plate fixing screw



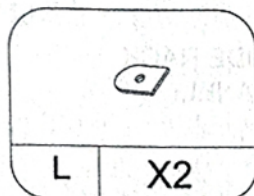
Anti-tipping iron sheet



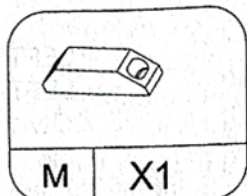
Mushrooms holding hands



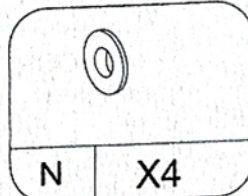
Handle Screw



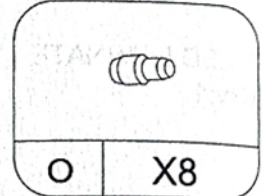
Magnetic iron sheets



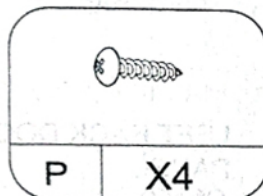
Door Plate Magnet



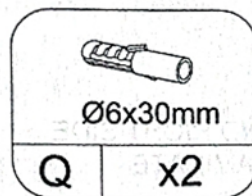
Magnetic iron sheets



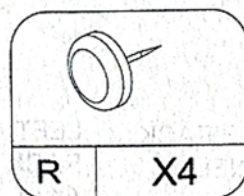
Movable layer plate buckle



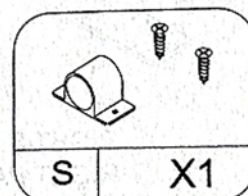
Anti-reversing screws



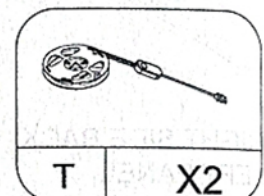
Lock wall expansion bolt



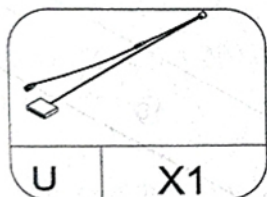
Studs



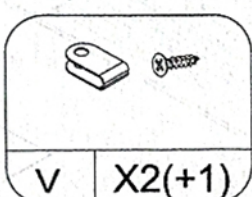
Wireless sensor clasp



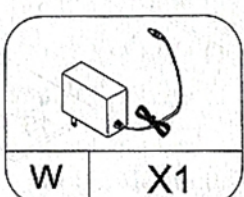
Light Belt



Wireless induction device and Junction Box



Lamp cord buckle

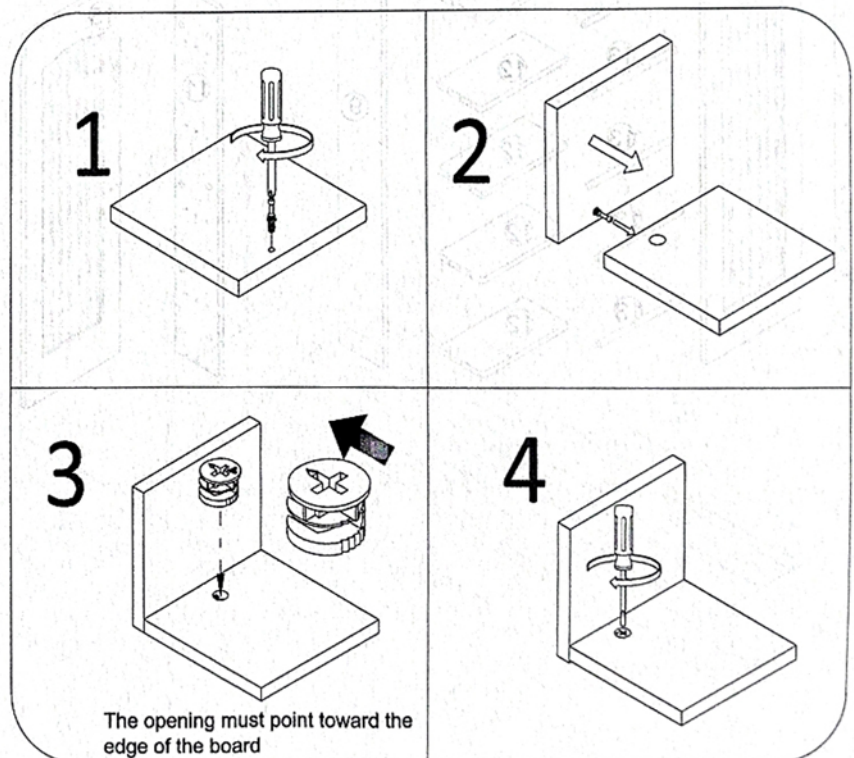


Power adapter

# Part List

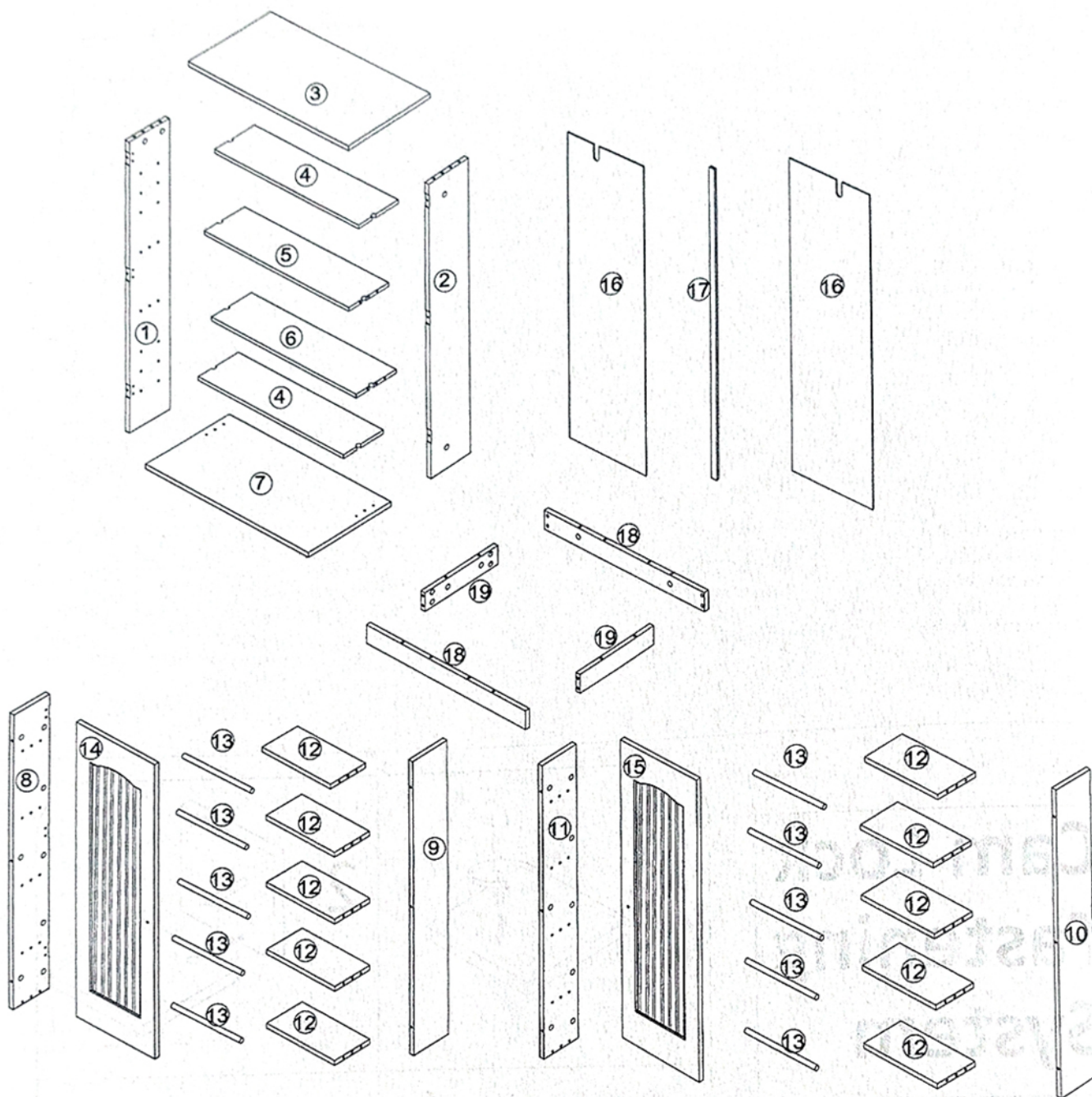
## Cam Lock Fastening System

Insert the cam bolt into the hole first, then insert the cam lock and lock it.

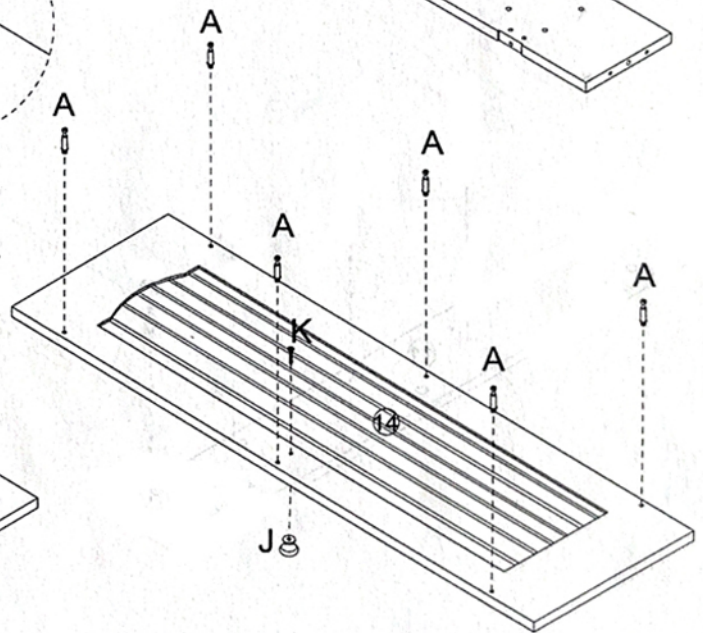
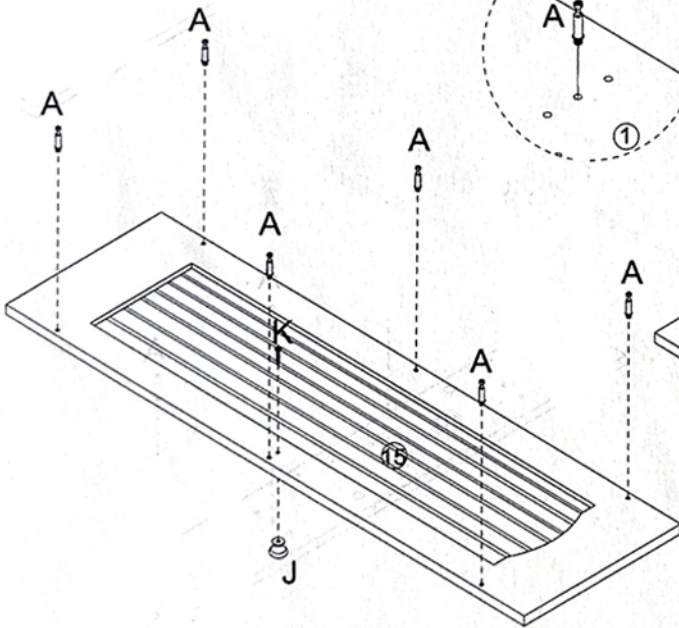
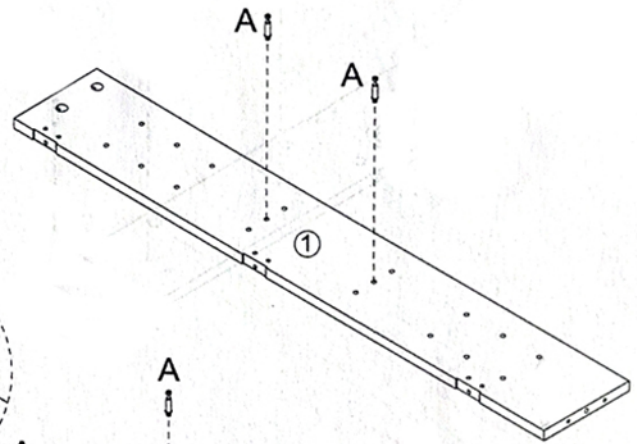
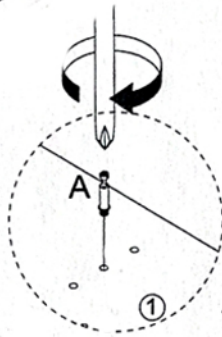
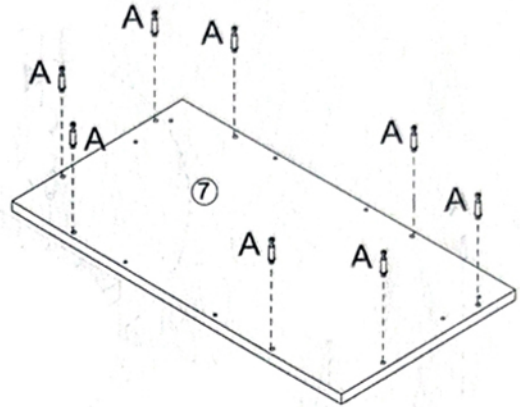
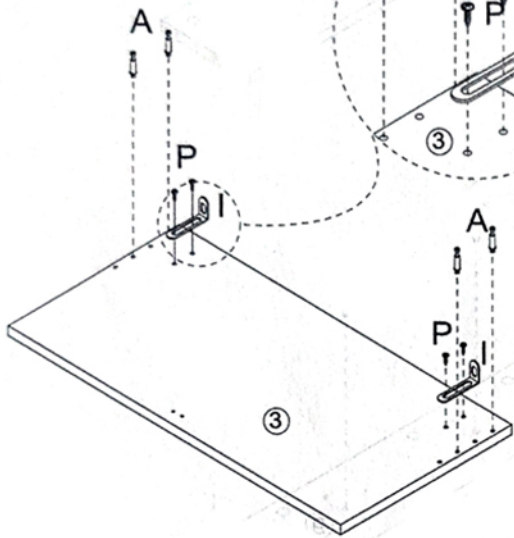
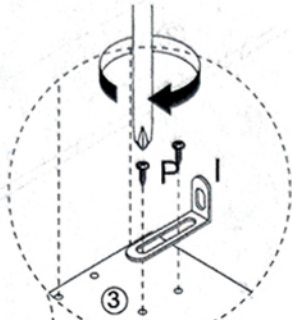
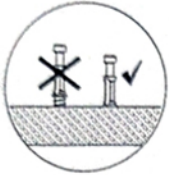
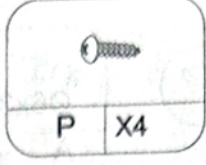
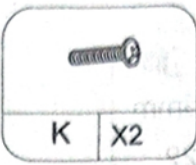
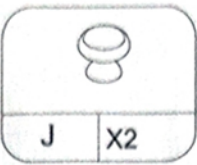
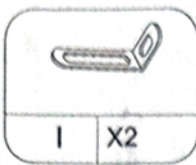
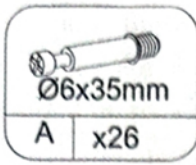
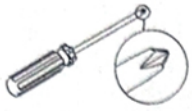


# Board Identification

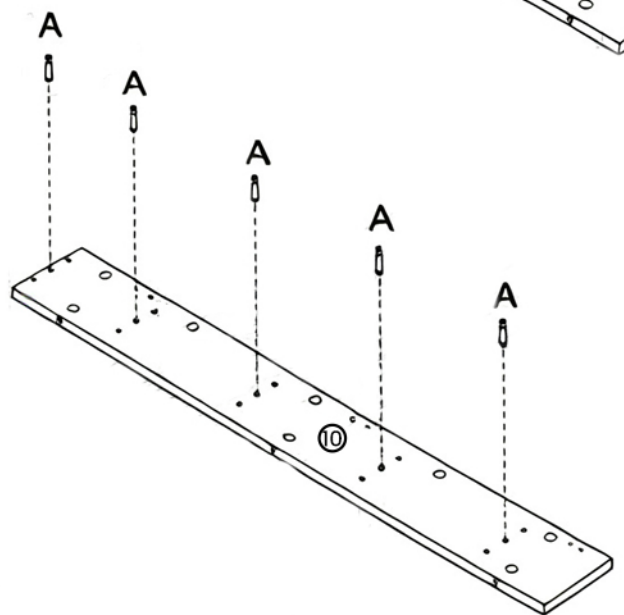
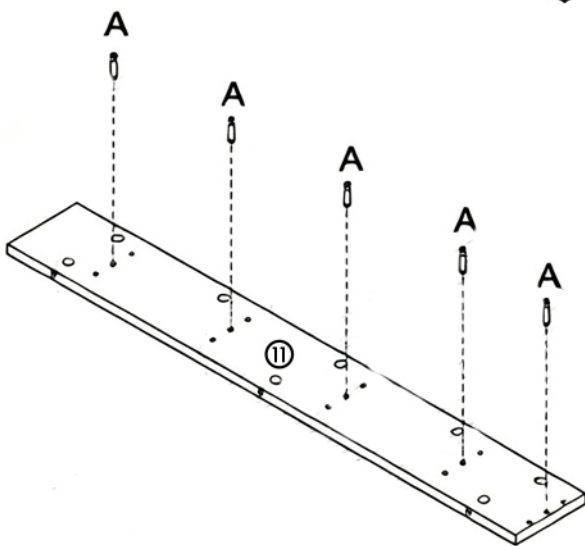
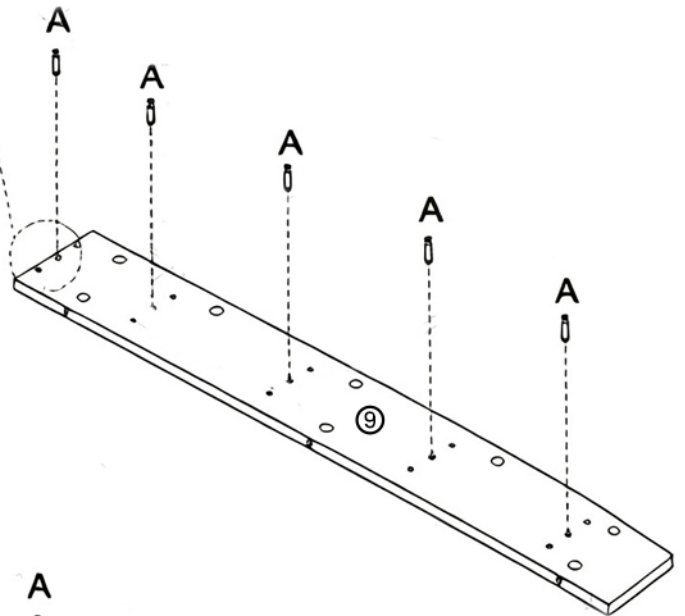
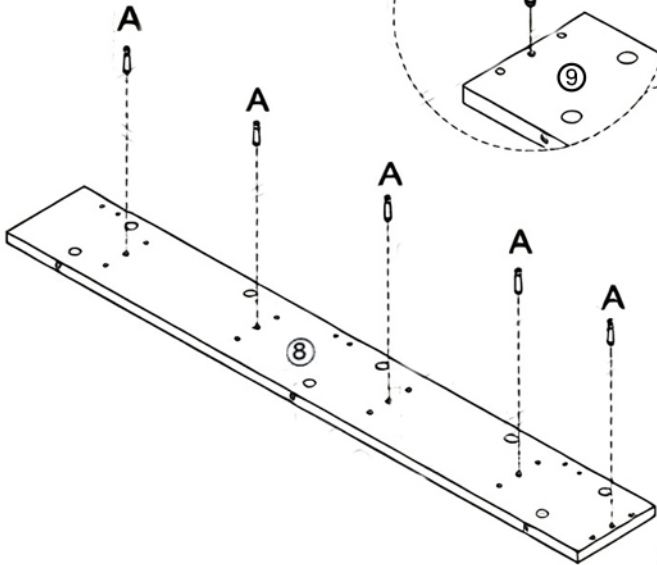
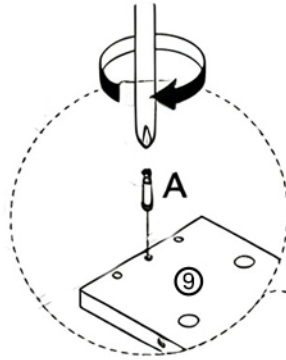
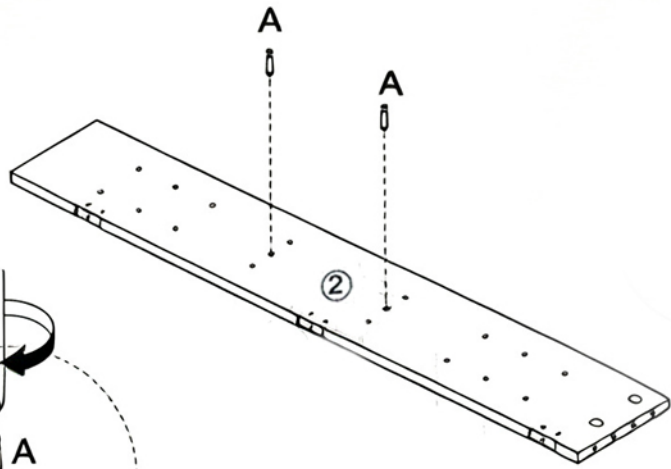
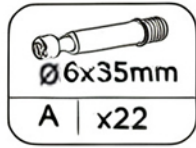
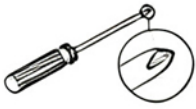
Not actual size



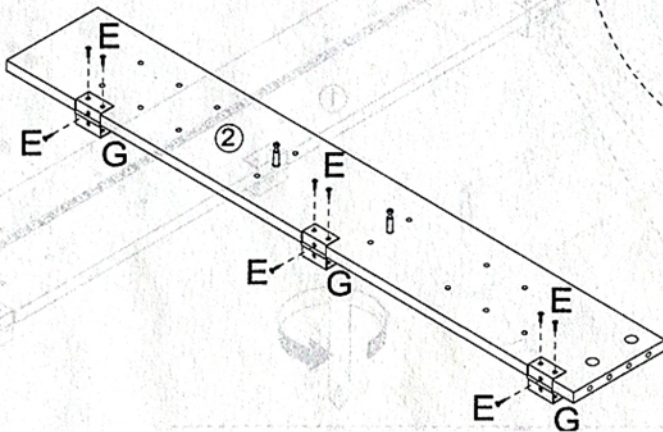
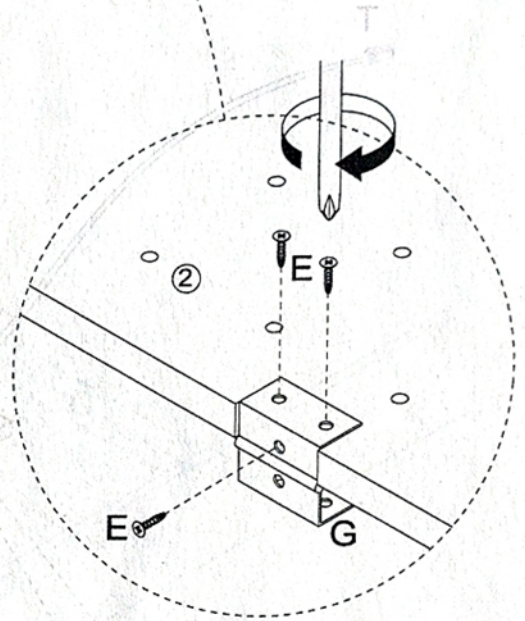
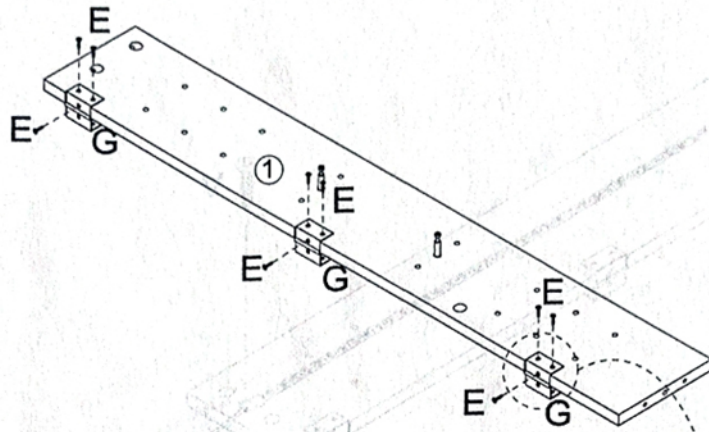
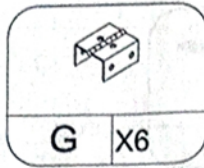
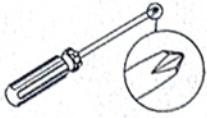
# STEP 1



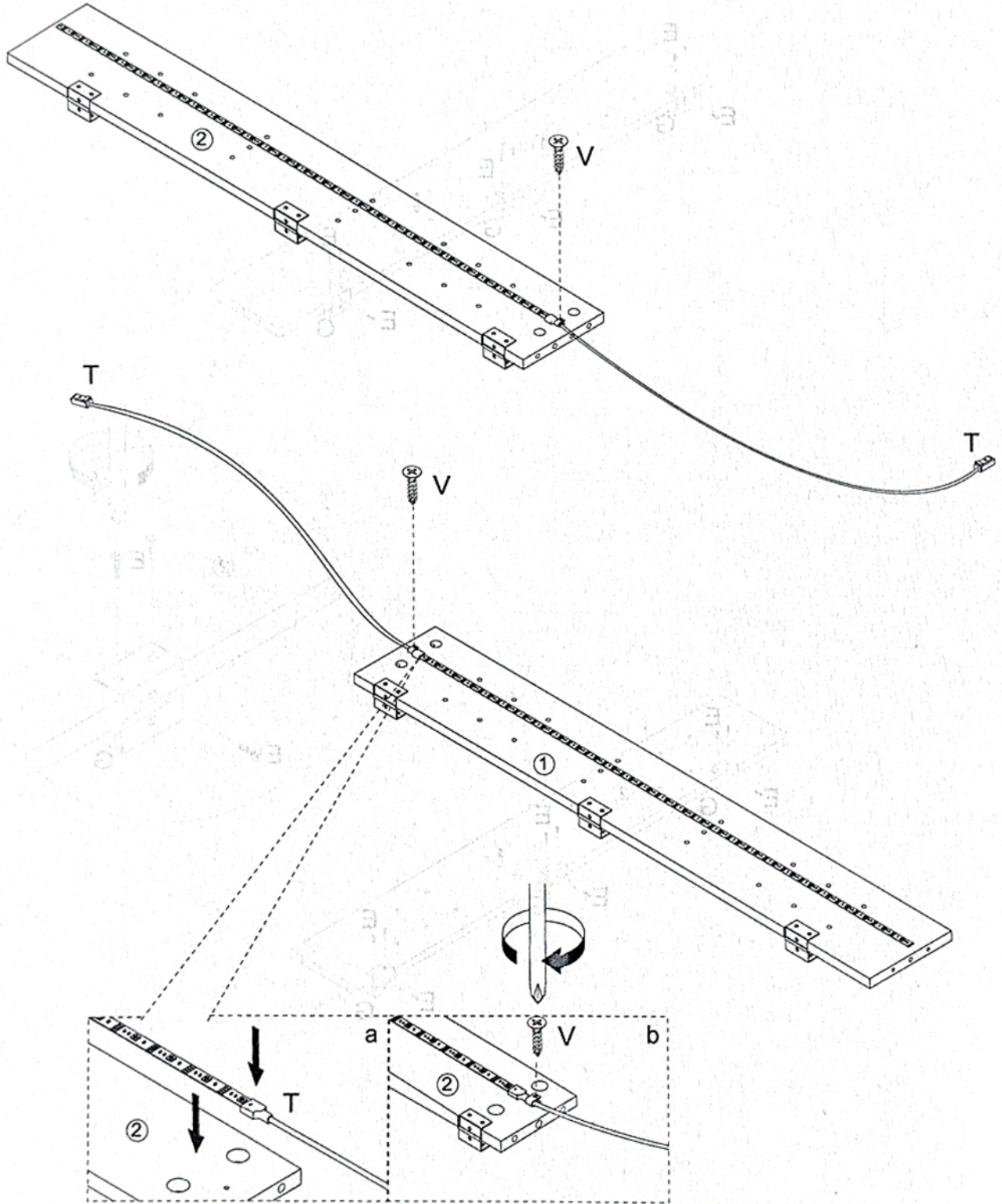
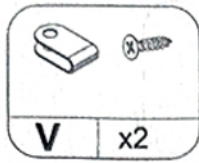
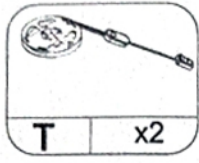
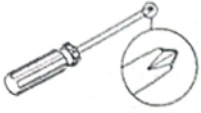
# STEP 2



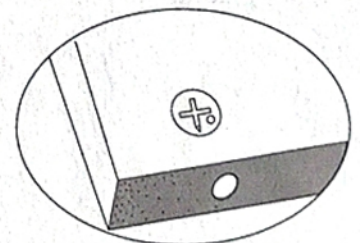
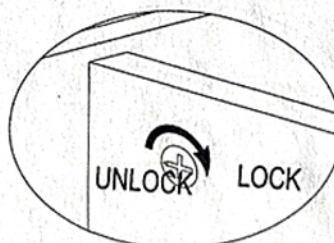
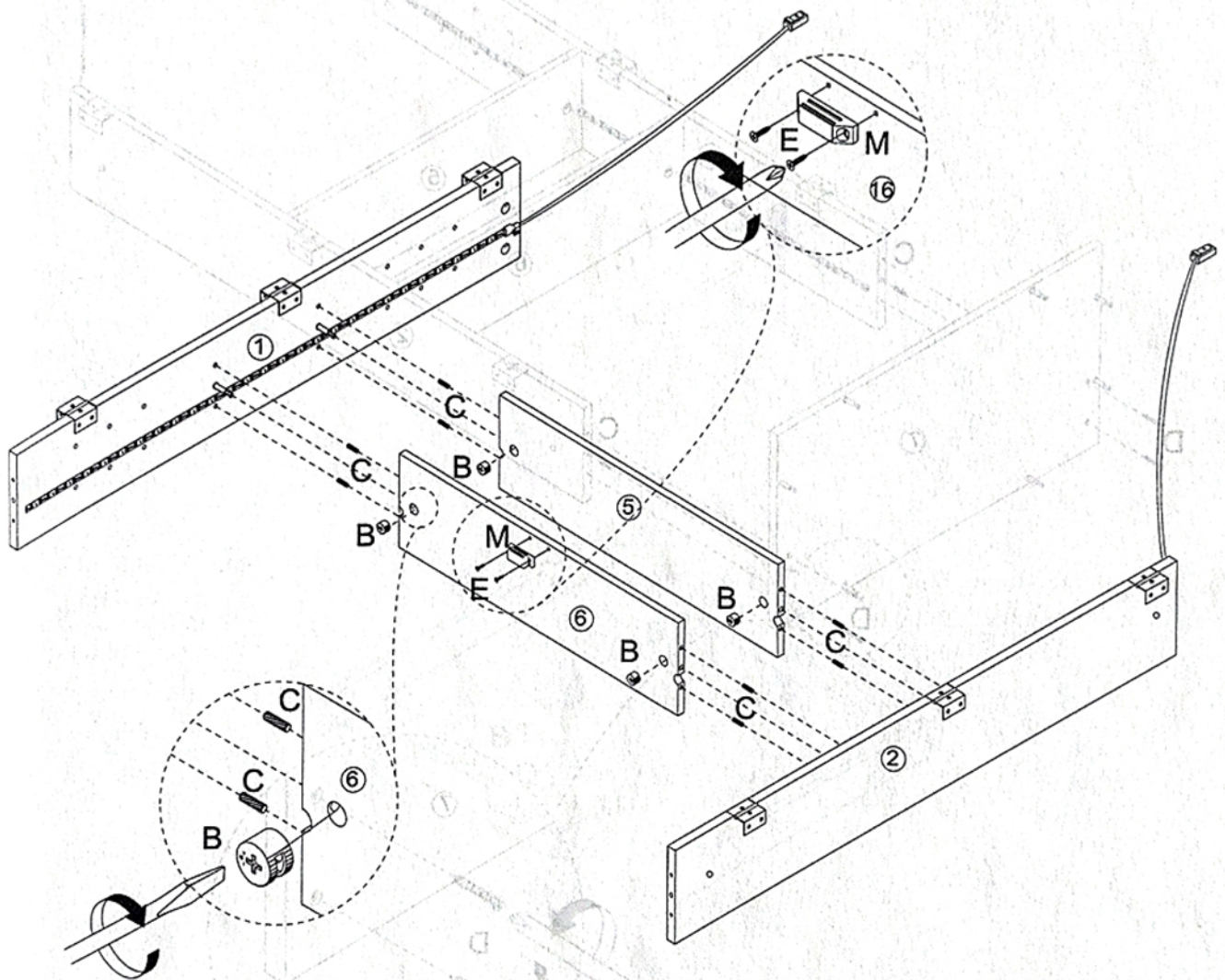
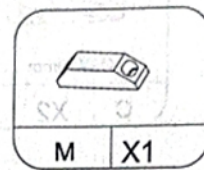
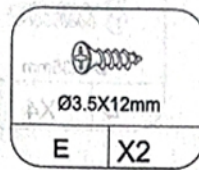
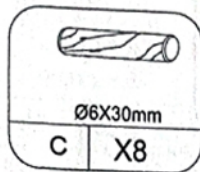
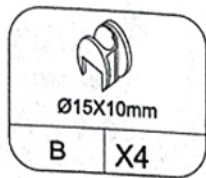
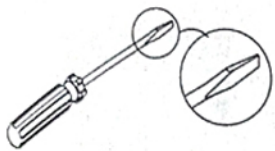
# STEP 3



# STEP 4

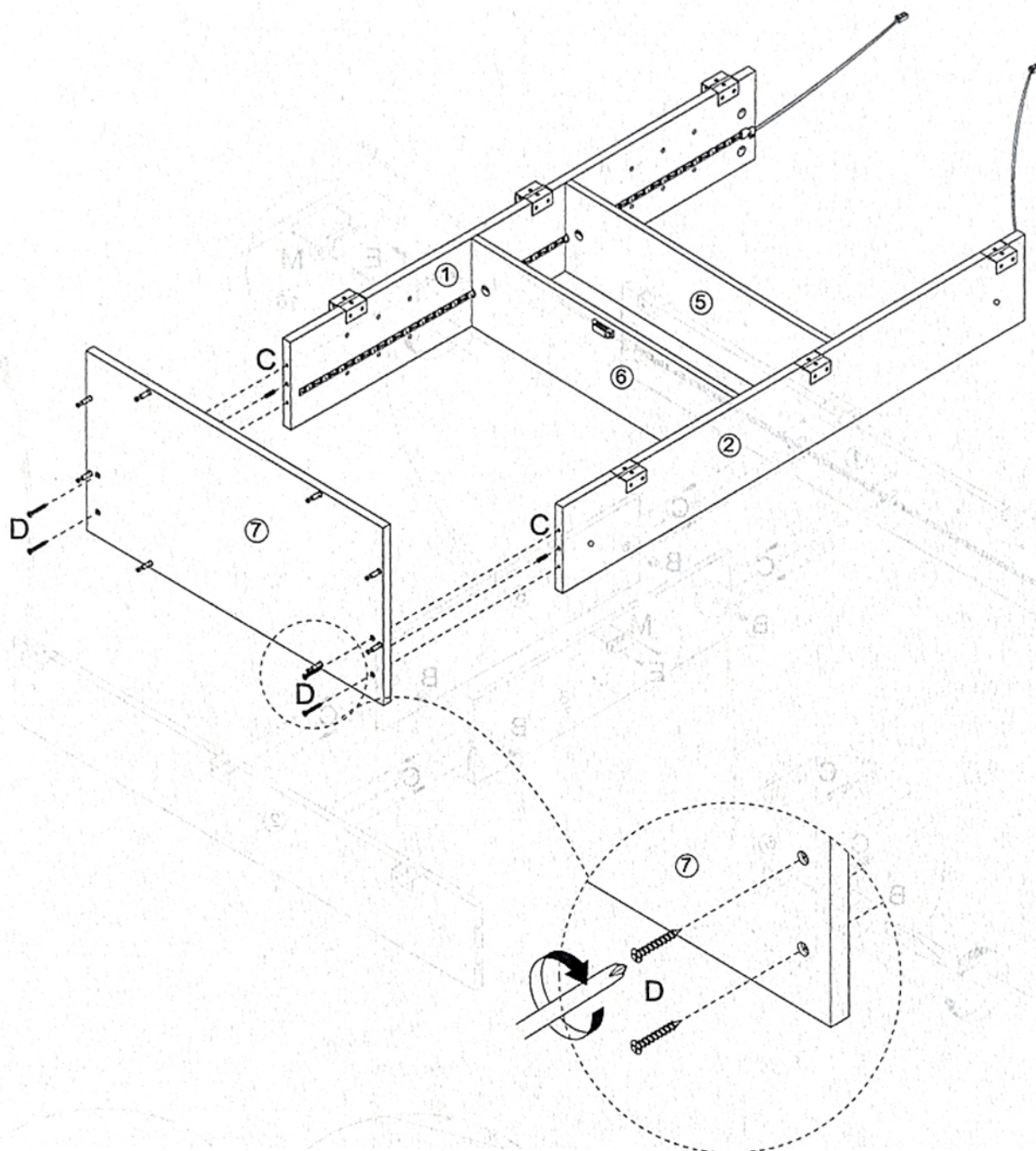
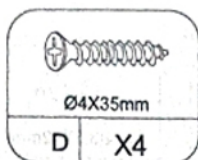
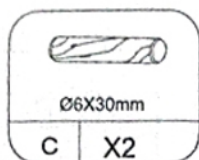
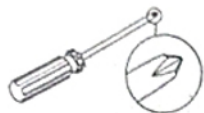


# STEP 5

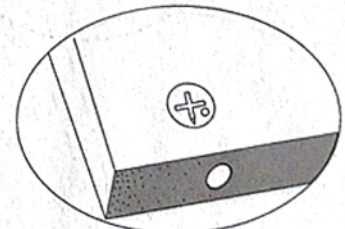
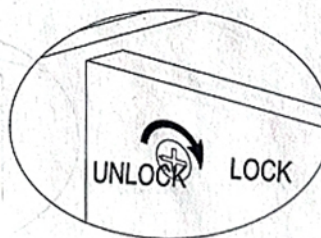
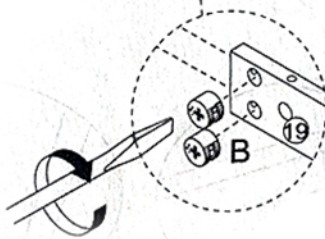
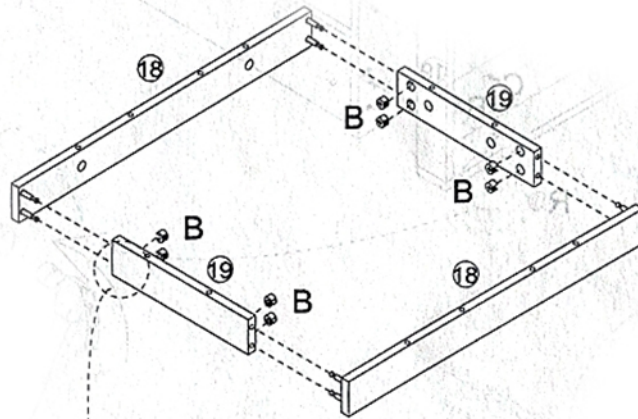
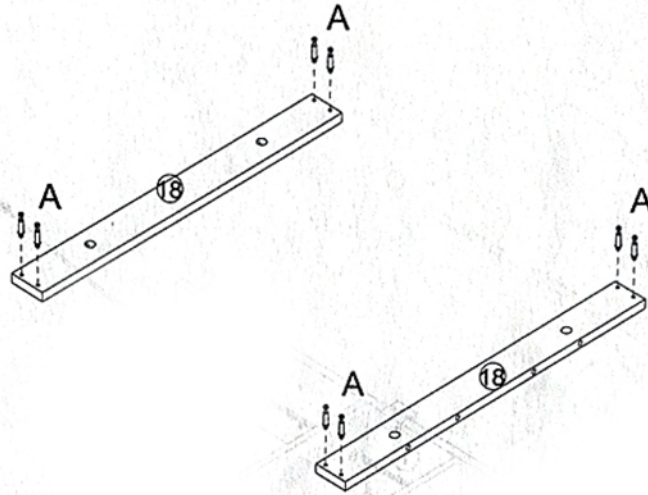
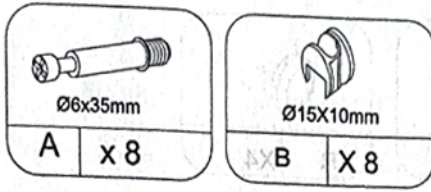
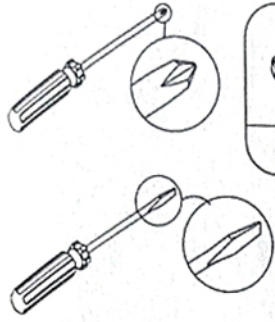


Proper orientation of CAM LOCK

# STEP 6

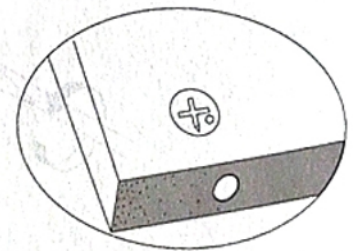
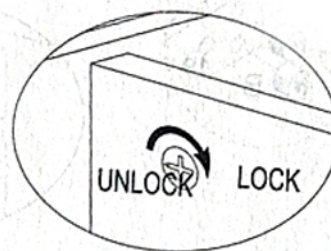
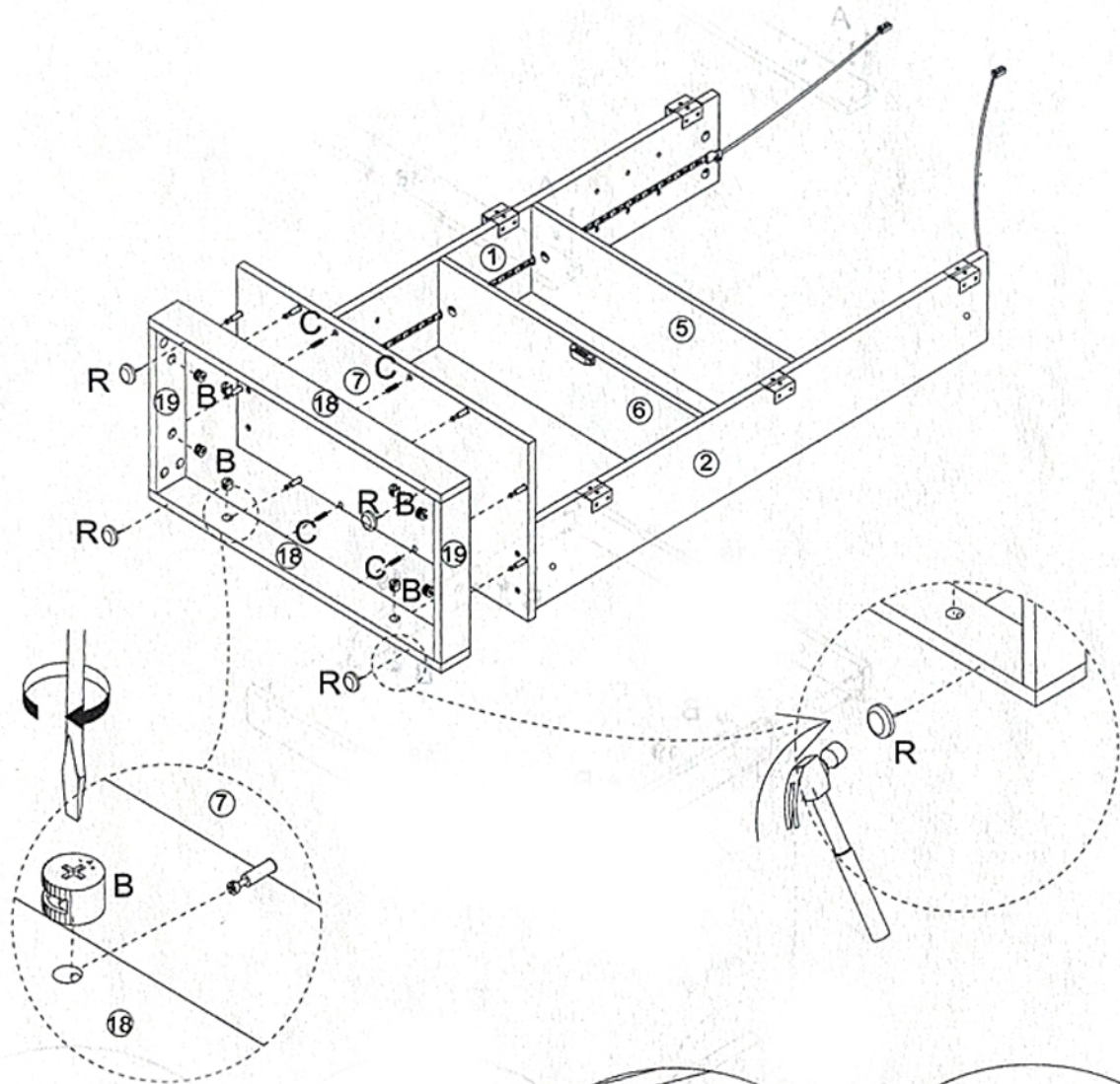
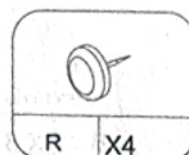
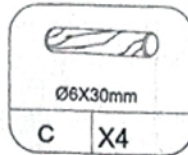
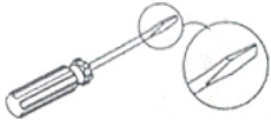


# STEP 7



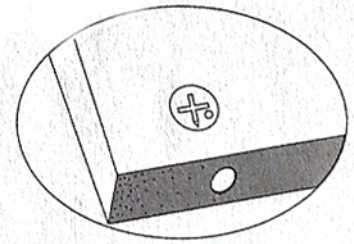
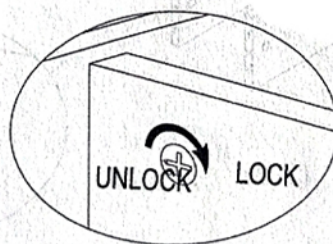
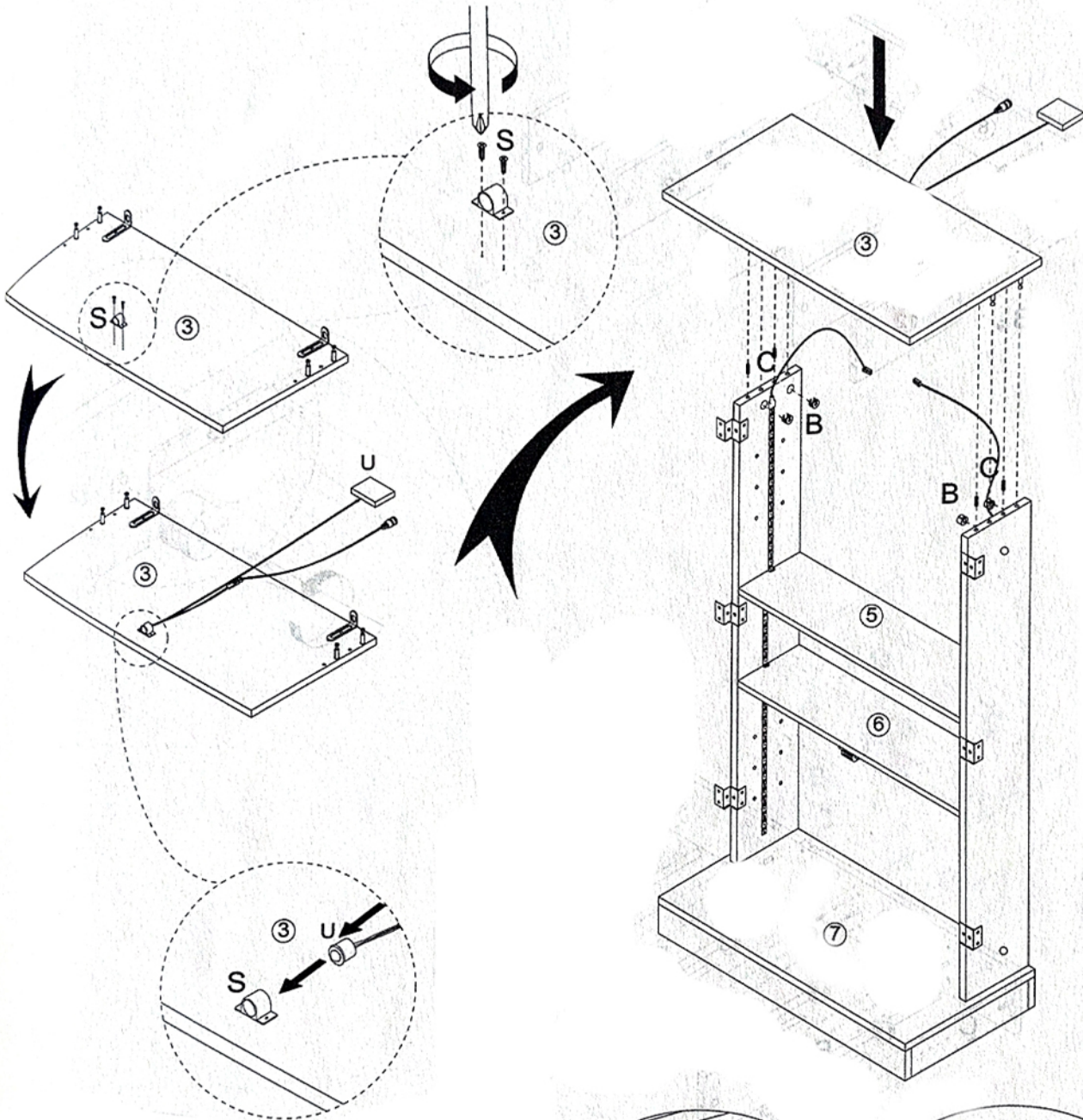
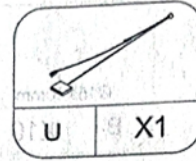
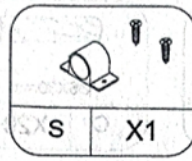
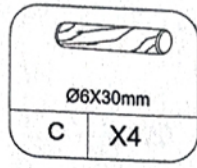
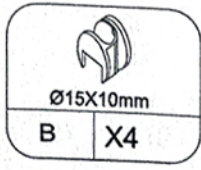
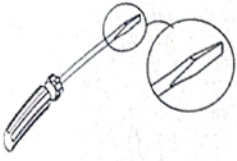
Proper orientation of CAM LOCK

# STEP 8



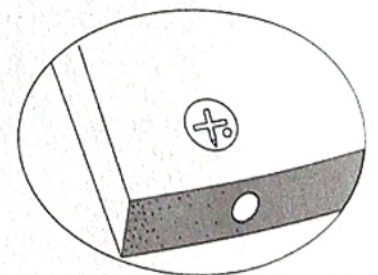
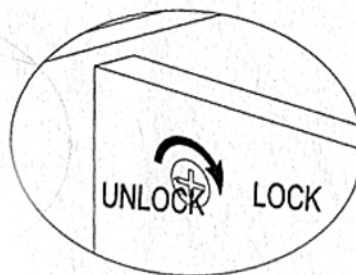
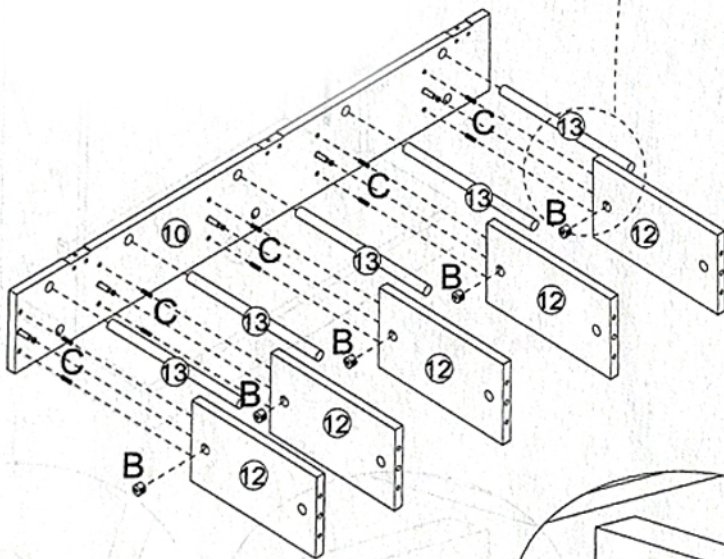
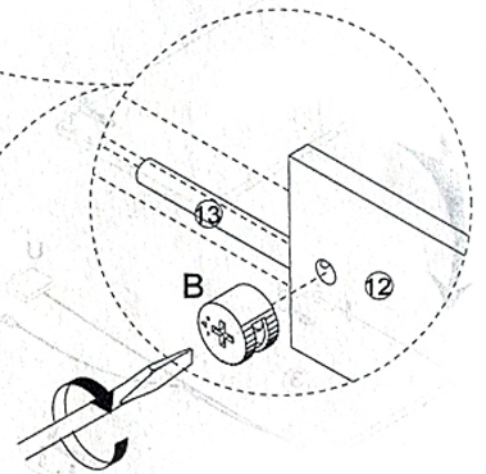
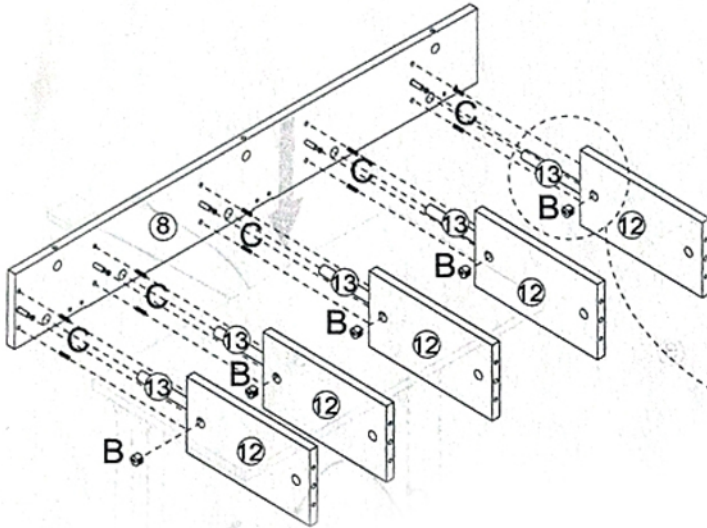
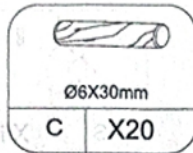
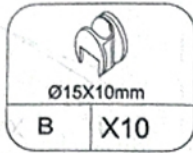
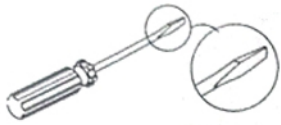
Proper orientation of CAM LOCK

# STEP 9



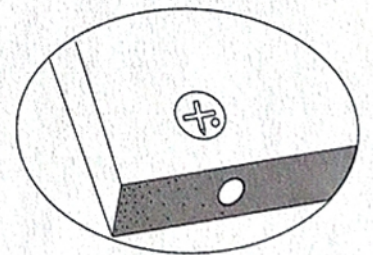
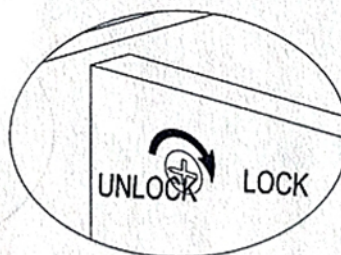
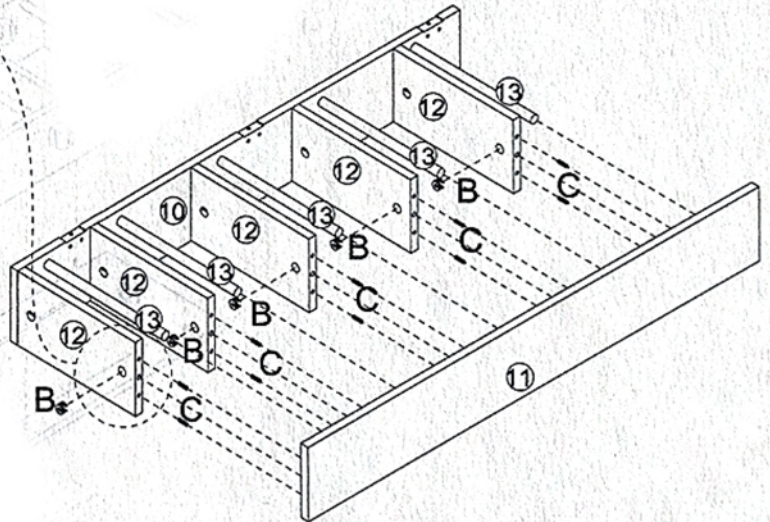
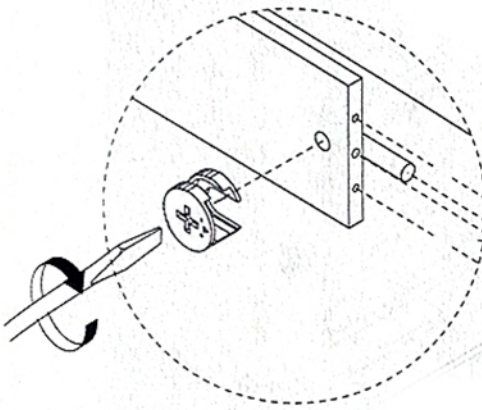
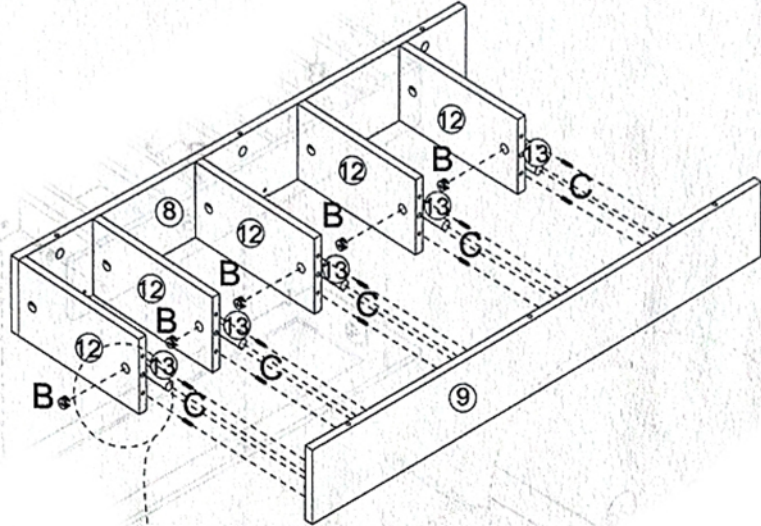
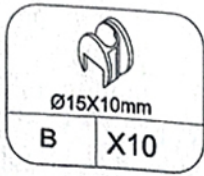
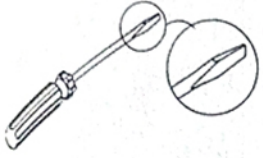
Proper orientation of CAM LOCK

# STEP 10



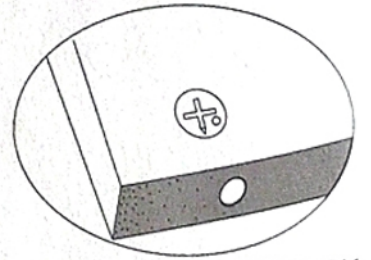
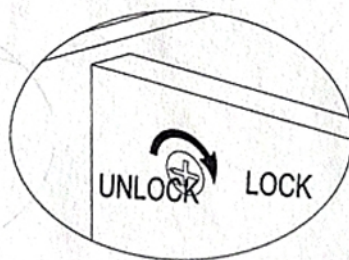
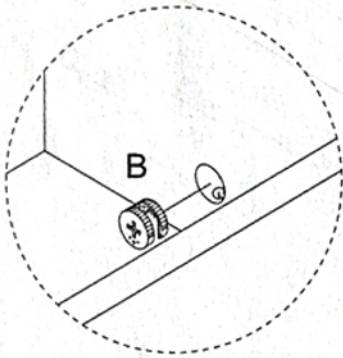
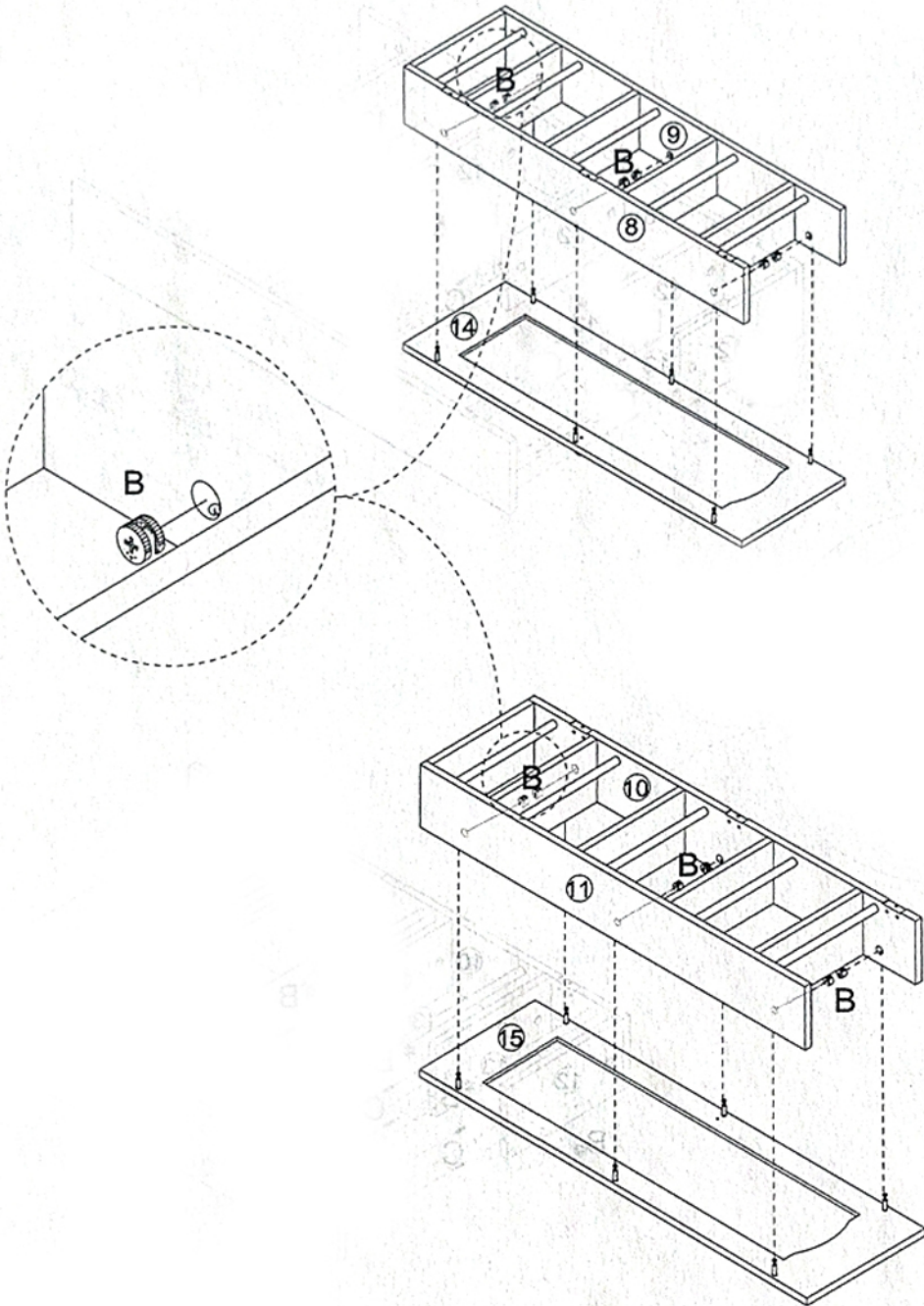
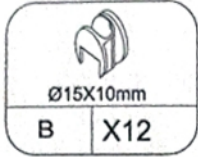
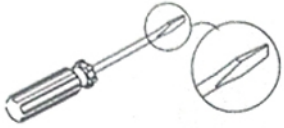
Proper orientation of CAM LOCK

# STEP 11



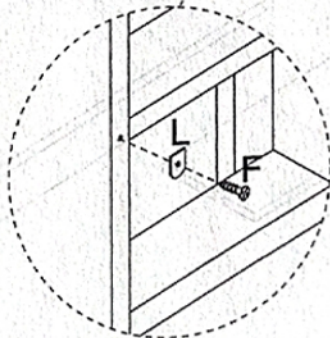
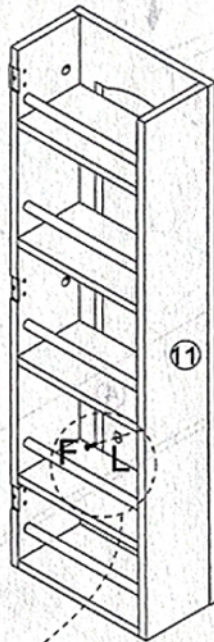
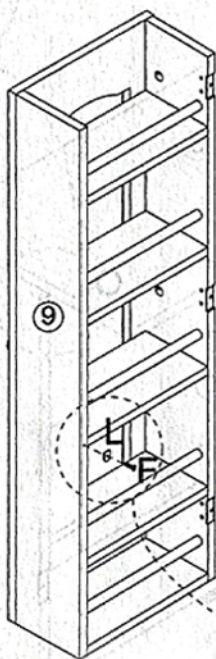
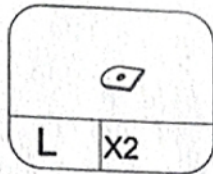
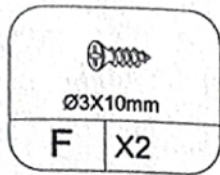
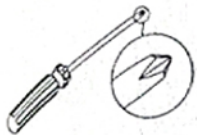
Proper orientation of CAM LOCK

# STEP 12

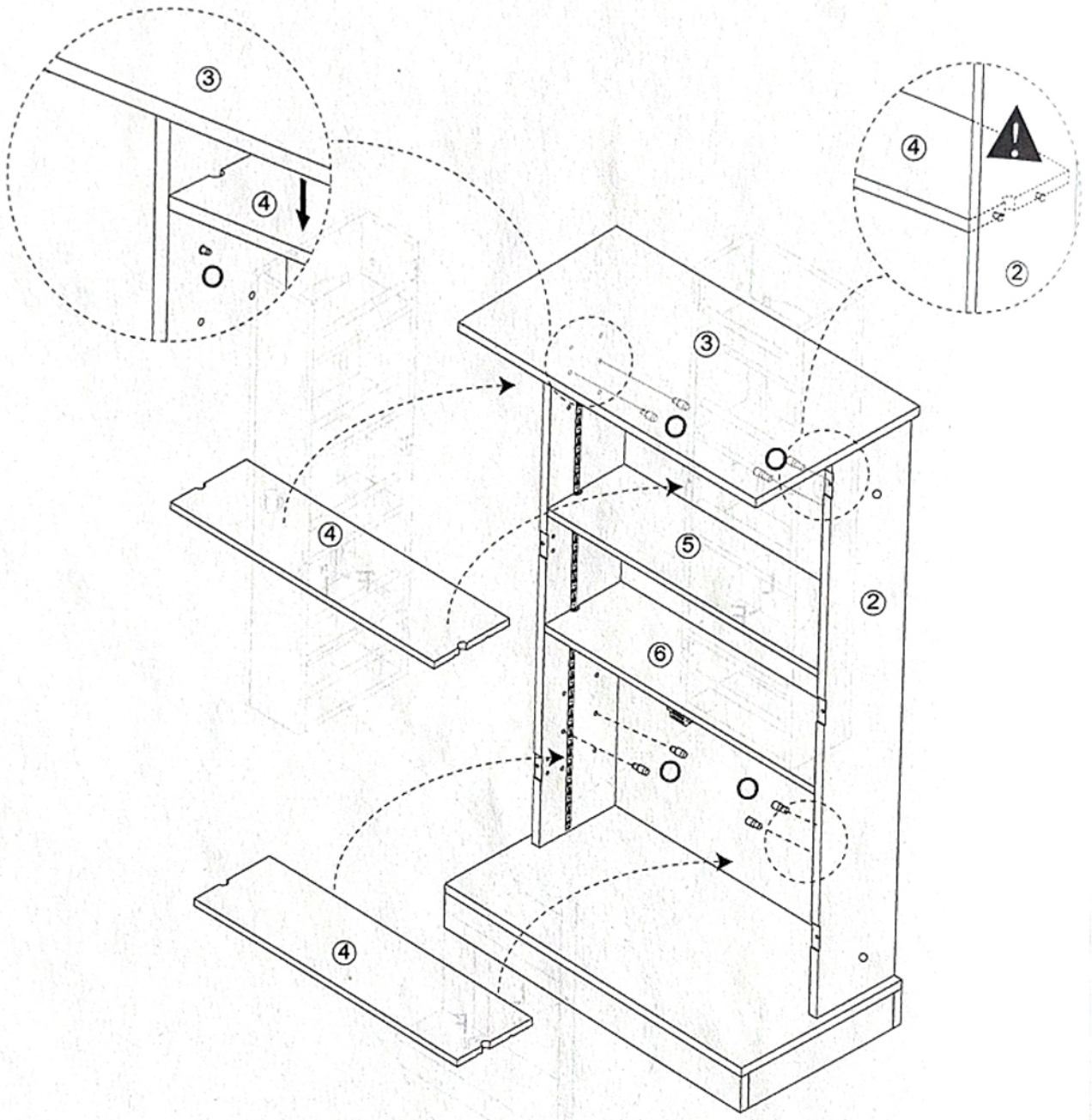
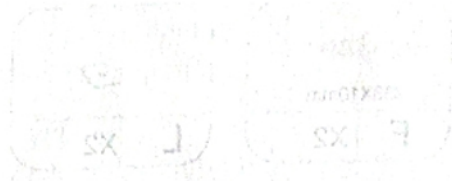
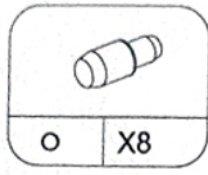
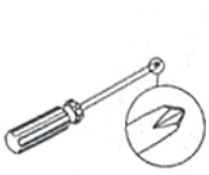


Proper orientation of CAM LOCK

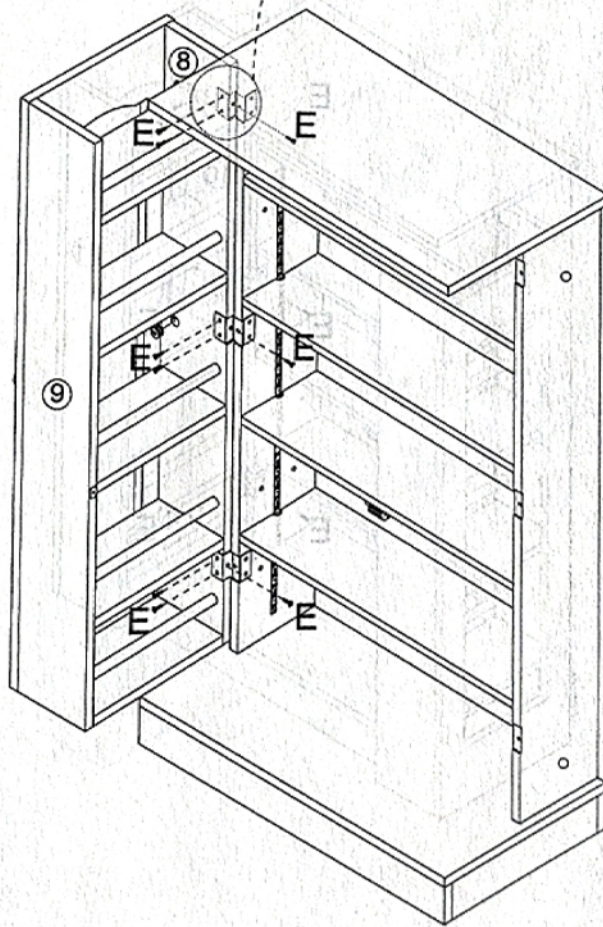
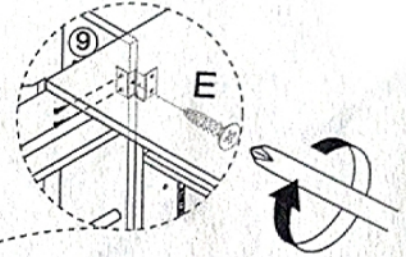
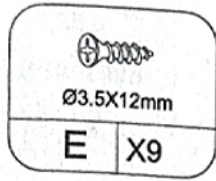
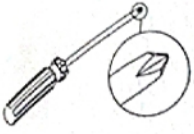
# STEP 13



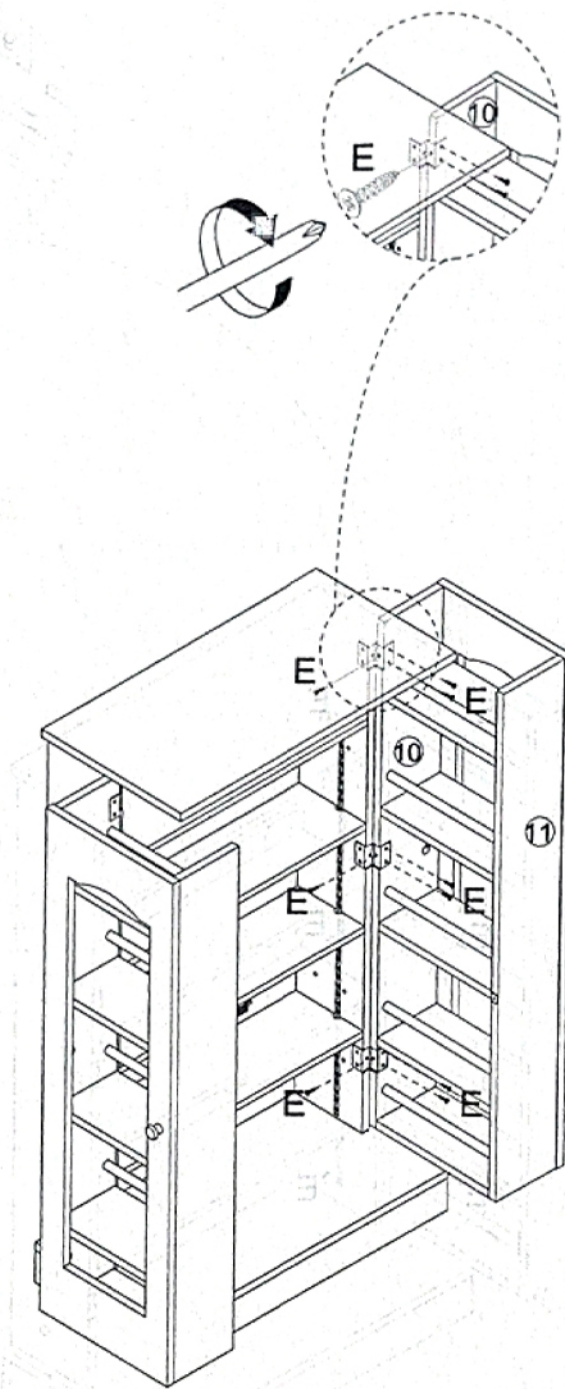
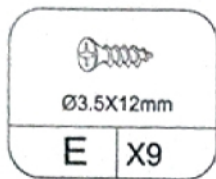
# STEP 14



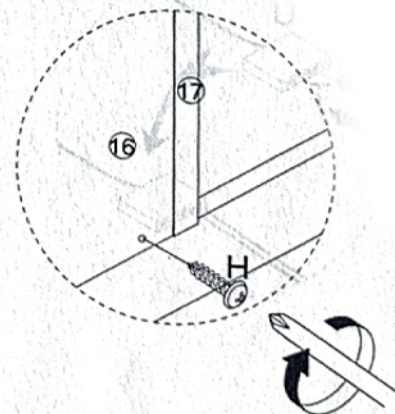
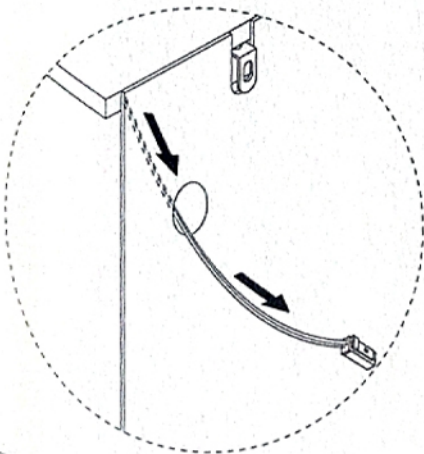
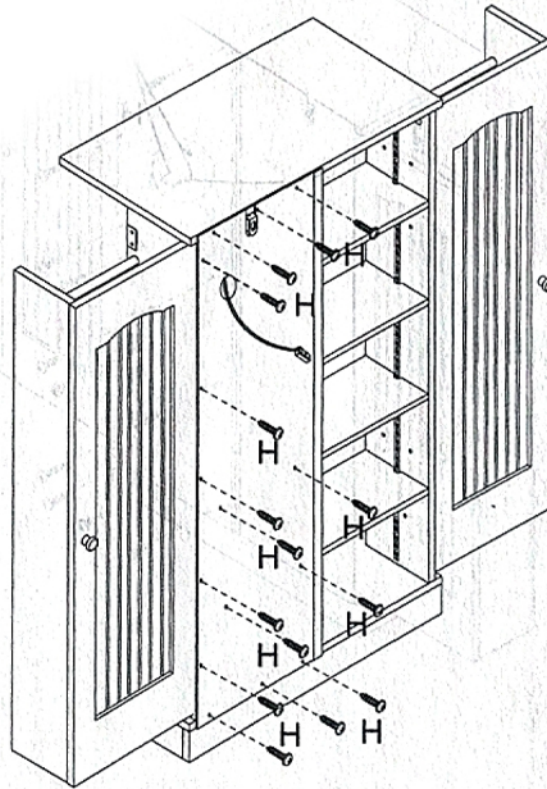
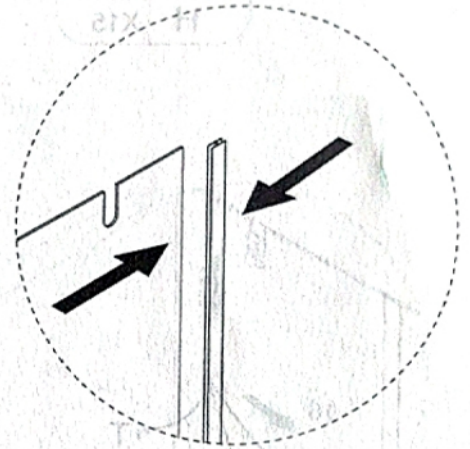
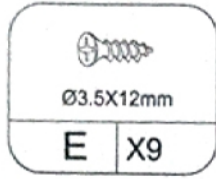
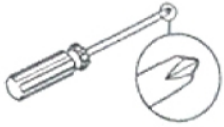
# STEP 15



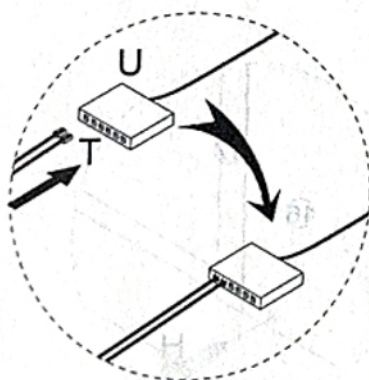
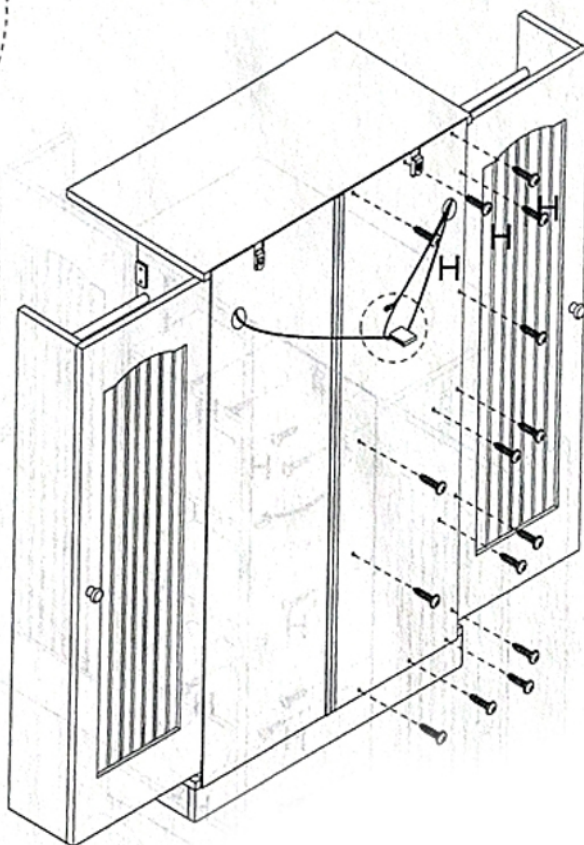
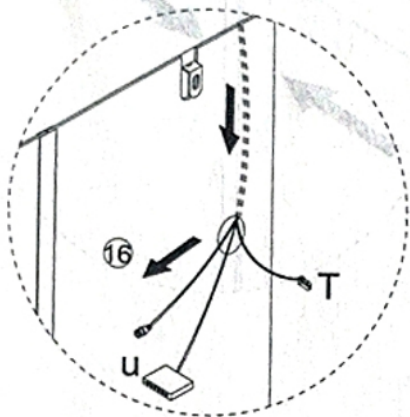
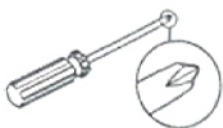
# STEP 16



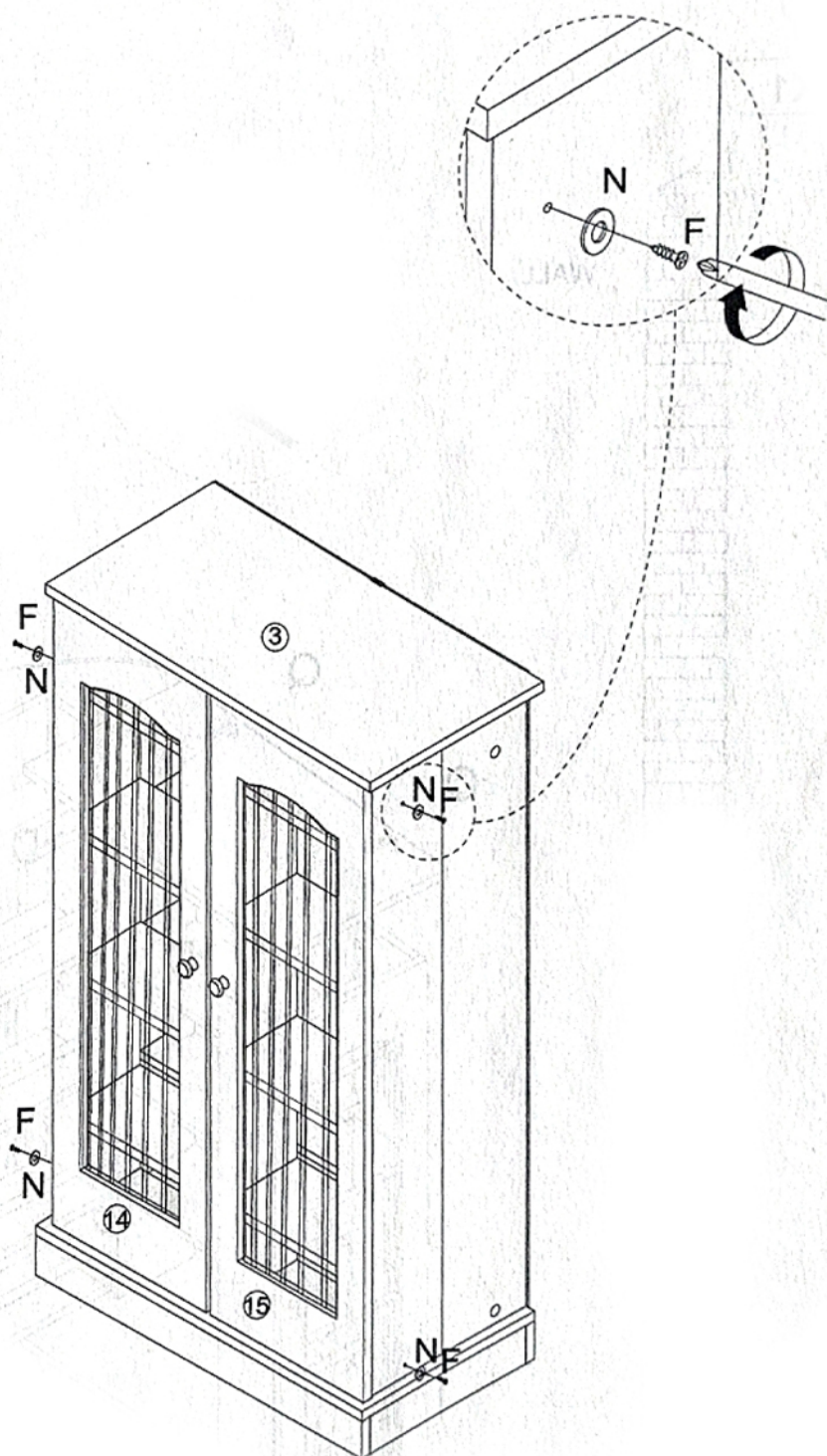
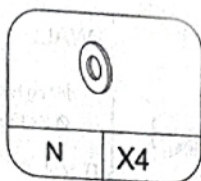
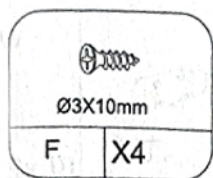
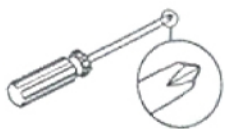
# STEP 17



# STEP 18



# STEP 19



# STEP 20

