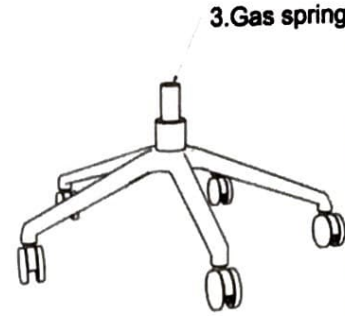
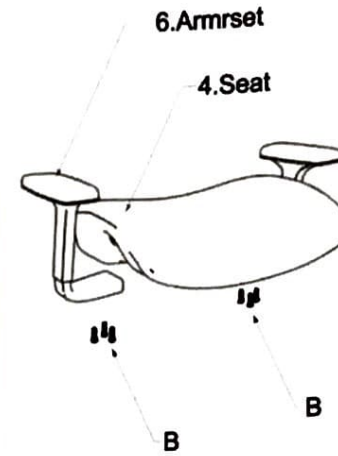


① Attach castor on base



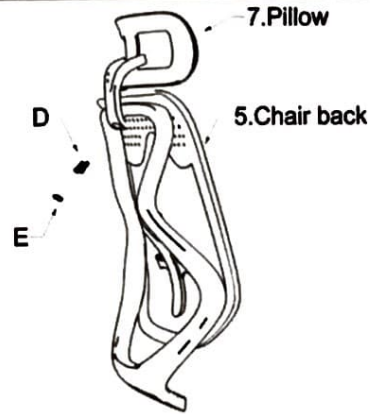
② Attach gas spring on base



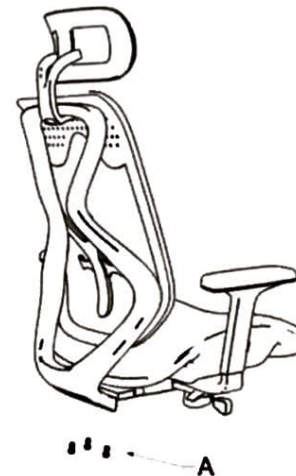
③ Install armrest on seat



④ Install mechanism on seat



⑤ Install headrest on back



⑥ Install back on seat



⑦ Attach chair body on base

**SCREW PARTS WITH SPARE**

A	B	C
M8*16	M6*30	M6*20
D	E	Allen key
		M4 1PC 
M5*25		

**ASSEMBLY INSTRUCTION**

